

# VANTAGE

REPLACEMENT

PARTS

FOR

“82-90’S”

“82-70’S”

“82-30’S”

THAT

MAKE

YOUR

JOB

EASIER.

**2006 / 2007**

**NEW FOR 2006/2007**  
**82-90 PARTS**  
17-PAGE HARDWARE  
SECTION

# We Listen. You Profit.



*Great designs provide performance and durability to keep your pinspotters running and your bowlers bowling.*

## **GREAT PARTS START WITH GREAT DESIGN...**

Vantage engineers take pride in supplying products that are not just copies, but offer improvements in design, installation, and function. Many original equipment designs are re-engineered to incorporate improved metals, elastomers, and technologies.

## **QUALITY MANUFACTURING...**

Vantage's expanded line of AMF pinsetter parts last longer and cost less. Since we manufacture what we sell and not just purchase them from other sources, our ability to control quality is exceptional. In all cases our products meet or exceed the expectations of the O.E.M. When it comes to quality - perfect is good enough!



*Quality manufacturing, **right here in the USA**, allows us to directly monitor the quality of our parts to keep your center running.*





*Inventory management allows us to have the right part on hand when the mechanic needs it.*

## INVENTORY SYSTEM...

Vantage's Inventory Management System is one of the most sophisticated in the industry. This combined with forecasting it allows Vantage to react faster to industry trends. Making it easier for the mechanic to get the right part at the right time.

### Vantage Bowling Corporation

870 Parfet Street, Denver, Colorado 80215  
 (303) 232-7322 • 1-800-255-7401 • Fax: (303) 232-8241  
[www.vantagebowling.com](http://www.vantagebowling.com)

©2006 VANTAGE BOWLING CORPORATION

Produced by Barker Design, Inc.

Printed by Wallender-Dedman Printing, Inc.

AMF and Brunswick as used throughout this catalog are the registered trademarks of AMF Bowling, Inc. and Brunswick Bowling & Billiards and are in no way associated with Vantage Bowling Corporation.

## Table of Contents

Who's Who at Vantage Bowling .....	2
District Sales Managers & Tech Staff Team .....	3
Vantage Policies and Procedures .....	4
How to Use This Catalog .....	5
Highlights .....	6-9
<b>90 Machines</b>	
Bounce Plate & Roller Assembly .....	10
Distributor Drive Shaft Assembly .....	11
Respot Cell Assembly 1-6 (Steel) .....	12
Respot Cell Assembly 7-10 (Steel) .....	13
Tie Rod Assembly .....	14
Tie Rod Bracker Assembly .....	15
Table & Bracket Assembly (Steel) .....	16
Table to Cross Beam (Steel) .....	17
Sweep Arm Assembly .....	18
Sweep Bar Mounting Assembly .....	19
Pin Elevator Wheel Assembly .....	20
Motor .....	21
<b>70 Machines</b>	
High Performance Cushion Rebuilding - Vantage Style .....	22
Cushion .....	23
Pit Rebuilding - Vantage Style .....	24
Bounce Plate & Roller Assembly .....	25
Kickback Assembly .....	26-27
Pin Elevator & Pit Supports .....	28-29
82-70 Distributor Assembly .....	30-33
Bin Assembly .....	34-35
Shuttle Assembly .....	36-37
Yoke .....	38-39
Respot Cell .....	40
Table Wireway Assembly .....	41
Table Components .....	42-43
Front End Drive Assembly .....	44
Shuttle Operator & Solenoid Assembly .....	45
Table Drive Assembly .....	46
Spot & Respot Link Assembly .....	47
Sweep Bar Mounting Assembly .....	48
Sweep Arm Assembly .....	49
Replacement Motors & Gear Boxes .....	50
Gearbox Kits .....	51
Gearbox Components Table/Sweep Motors .....	52
Complete Table/Sweep Motors and Gearboxes .....	53
Gearbox Components/Backend Motors .....	54
Complete Backend Motors & Gearboxes .....	55
<b>70/30 Machines</b>	
Ball Lift Assembly .....	56-57
Ball Kicker Assembly .....	58
Belt Tensioner & Belt Tightener .....	59
Light Ball Sensor Assembly .....	60-61
Ratchet Drive Assembly .....	62
Track Rail Assembly .....	63
<b>30 Machines</b>	
82-30 Springs/Pin Elevator/Ball Return .....	64
82-30 Distributor Assembly .....	65
82-30 Distributor Assembly .....	66
82-30 Sweep & Table, Spot & Respot Mechanism .....	67
<b>Front Ball Lifts</b>	
C-90 & Vantage Standard Ball Lift .....	68
C-90 & Vantage Standard & Back Saver .....	69
Spectrum Components .....	70
Sure Pik Replacement Parts .....	71
<b>Electrical, Tools, Belts</b>	
Motor Switches-Centifugal Mechanisms-Klixons .....	72
Micro Switches-Relays-Cables .....	73
Capacitors-Chassis & Control Panel Switches .....	74
Foul Lights .....	75
Mechanics Tool Kit .....	76-77
Replacement Belts .....	78
<b>New Hardware Section</b> .....	79-95
<b>Index</b> .....	95-108

## Who's Who at Vantage Bowling



**P. J. Rosendahl**  
*Brand Manager*

Direct Line: 303.327.7841  
Email: [prosendahl@vantagebowling.com](mailto:prosendahl@vantagebowling.com)



**Gerry Keslar**  
*National Sales Manager*

Direct Line: 785.331.6598  
Email: [gkeslar@vantagebowling.com](mailto:gkeslar@vantagebowling.com)



**Heidi Leonard**  
*Customer Service*

Direct Line: 303.327.7834  
Email: [hleonard@vantagebowling.com](mailto:hleonard@vantagebowling.com)



**Debbie Holton**  
*Customer Service*

Direct Line: 303.327.7832  
Email: [dholton@vantagebowling.com](mailto:dholton@vantagebowling.com)



**Jack Mayfield**  
*Technical Support*

Direct Line: 303.327.7840  
Email: [jmayfield@vantagebowling.com](mailto:jmayfield@vantagebowling.com)



**John MacFarlane**  
*Product Manager*

Direct Line: 303.327.7847  
Email: [jmacfarlane@vantagebowling.com](mailto:jmacfarlane@vantagebowling.com)



**Gary Hulsenberg**  
*Western Regional Sales Manager*

Direct Line: 916.955.0257  
Email: [ghulsenberg@vantagebowling.com](mailto:ghulsenberg@vantagebowling.com)







## District Sales Managers & Tech Staff Team



### NORTH CENTRAL

Wisconsin, Illinois, Upper Peninsula of Michigan, Minnesota, North Dakota, South Dakota, Iowa, Nebraska, Eastern Missouri

#### David Bartlett

Cellphone: 309.287.4396  
Email: dbartlett@ebonite.com

#### Charley Farley

Email: cfarley@vantagebowling.com

### NORTHWEST

Washington, Oregon, Idaho, Montana, Wyoming, Northern California, Northern Nevada, Alaska

#### Pam Buckner

Cellphone: 775.742.3826  
Email: pbuckner@ebonite.com

#### Pete Senf

Email: psenf@vantagebowling.com

#### Jerry Smith

Email: jsmith@vantagebowling.com

#### Don Vinson

Email: dvinson@vantagebowling.com

### NORTHEAST

Maine, New Hampshire, Vermont, New Jersey, Connecticut, Rhode Island, Eastern New York, Massachusetts, Eastern Pennsylvania

#### Joseph Farley

Cellphone: 631.766.3277  
Email: jfarley@ebonite.com

#### Tom Brefka

Email: tbrefka@vantagebowling.com

### SOUTHEAST

Florida, Georgia, Alabama, Mississippi, Tennessee, North Carolina, South Carolina

#### John Gaines

Cellphone: 863.214.6338  
Email: jgaines@ebonite.com

#### Alan Meyers

Email: ameyers@vantagebowling.com

### MIDWEST

Michigan (excluding Upper Peninsula), Western Ohio, Indiana, Kentucky

#### Jeff Lizzi

Cellphone: 614.937.7508  
Email: jlizzi@ebonite.com

#### Kevin Cosby

Email: kcosbey@vantagebowling.com

### EAST

Western New York, Western Pennsylvania, Eastern Ohio, West Virginia, Virginia, Maryland, Delaware

#### Damon Sarrocco

Cellphone: 330.554.1608  
Email: dsarrocco@ebonite.com

#### Paul Lackey

Email: plackey@vantagebowling.com

### SOUTH CENTRAL

Texas, Louisiana, Arkansas, Oklahoma, Kansas, Western Missouri

#### Steve Szabina

Cellphone: 405.503.1710  
Email: sszabina@ebonite.com

#### Jimmy Lockett

Email: jlockett@vantagebowling.com

#### Matt Cervantes

Email: mcervantes@vantagebowling.com

### SOUTHWEST

Southern Nevada, Utah, Southern California, Arizona, New Mexico, Colorado

#### Dave Wodka

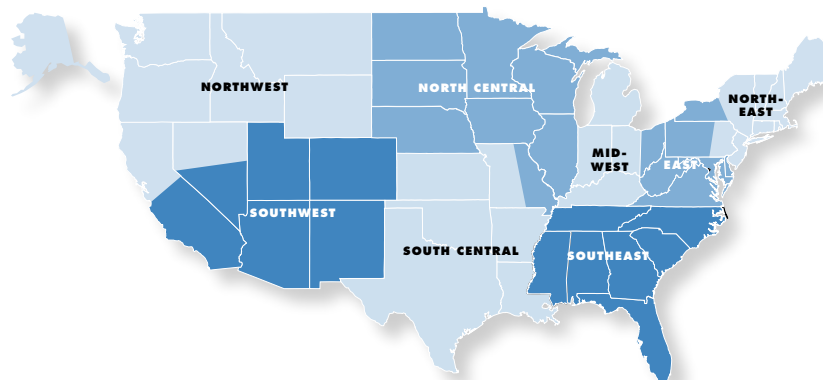
Cellphone: 702.561.0269  
Email: dwodka@ebonite.com

#### Tim Poole

Email: tpoole@vantagebowling.com

#### Curt Dupre

Email: cdupre@vantagebowling.com





## Vantage Policies and Procedures

### Warranty Returns:

Vantage Bowling Corporation offers a 1-year Factory Direct Warranty Exchange on any defective product except where noted in this catalog. Our Factory Direct Warranty Exchange procedure is as follows:

1. Call Vantage's toll-free number 1-800-255-7401 ask for Customer Service.
2. Customer Service will assign an RGA (Return Goods Authorization) Number.
3. Customer Service will determine if a replacement part will be shipped prior to receiving the defective part.
4. If replacement parts are shipped prior to receiving the defective parts the customer will be invoiced for the replacement parts.
5. Customer Service will issue a call tag for the defective part.
6. Vantage will issue a Credit (against item four above) once the defective product has been returned, received, and inspected in accordance with the Warranty Policy on page 112.

### Returns Goods Policy:

All returns for credit must have prior authorization. The products must be listed in the current catalog, and be in saleable condition. Return Goods Policy is as follows:

1. You must first contact Vantage for an RGA (Returns Goods Authorization) number, and prepay all shipping costs.
2. Acceptance of the return is subject to the amount of Abuse and Misuse of the product, and these returns are separate to products returned under warranty.
3. There will be a minimum 15% restocking charge on all returns, and additional charges if the products require rework as a result of Misuse and Abuse.
4. Special Orders do not qualify under the Return Goods Policy. (see: SPECIAL ORDERS POLICY)

### Special Orders Policy:

Orders for custom, or customized products, and/or packaging, cannot be altered, adjusted, or cancelled. Special Orders do not qualify under the Return Goods Policy.

### Short Shipment Policy:

If any products have been inadvertently short shipped, Vantage's Customer Service Department must be notified within 7-Days of receiving the order.

Providing the above mentioned 7-Day qualification has been met, Vantage will either ship the missing products or issue a credit.

(Note: It is not acceptable to simply deduct the value of the missing products from the invoice.)

### Breakage, Damage, Loss of Goods:

All Shipments leave Vantage's warehouse in good condition. In the event of breakage and/or damage, you should contact Vantage's Customer Service Department. The carrier will want to inspect the package; so it is important to retain all interior and exterior packing materials until the claimed is resolved. You should also contact Vantage's Customer Service Department if a shipment does not arrive.

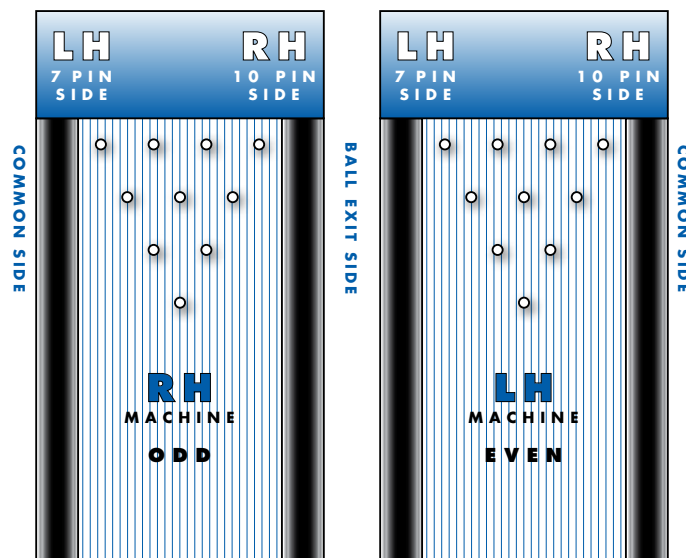




## Vantage is taking steps to define a good working catalog.

The Vantage Catalog has gone through numerous changes this year with the inclusion of parts for new machine styles and true to size hardware. Also this year are new illustrations through out the Catalog. Each Catalog has been separated into Sections based upon machine style and then broken down into subassemblies following the pins through the machines. Starting at the pits and working up and around the machine finishing of with the electrical systems.

## Vantage is taking the mystery out of right hand and left hand.



It has always been confusing when talking about pinsetters, which machine is a right hand machine and which machine is a left hand machine. And, then there is a right hand side and a left hand side of a right hand machine and vice versa. Then how do you look at the machine from the mechanics end or the bowlers end which reverses the right and left. Vantage has added labeling to its part numbers to make this a little easier. By labeling the parts ODD and EVEN as well as 7 Pin and 10 Pin this should cut down on some of the confusion on which part is correct for which machine.

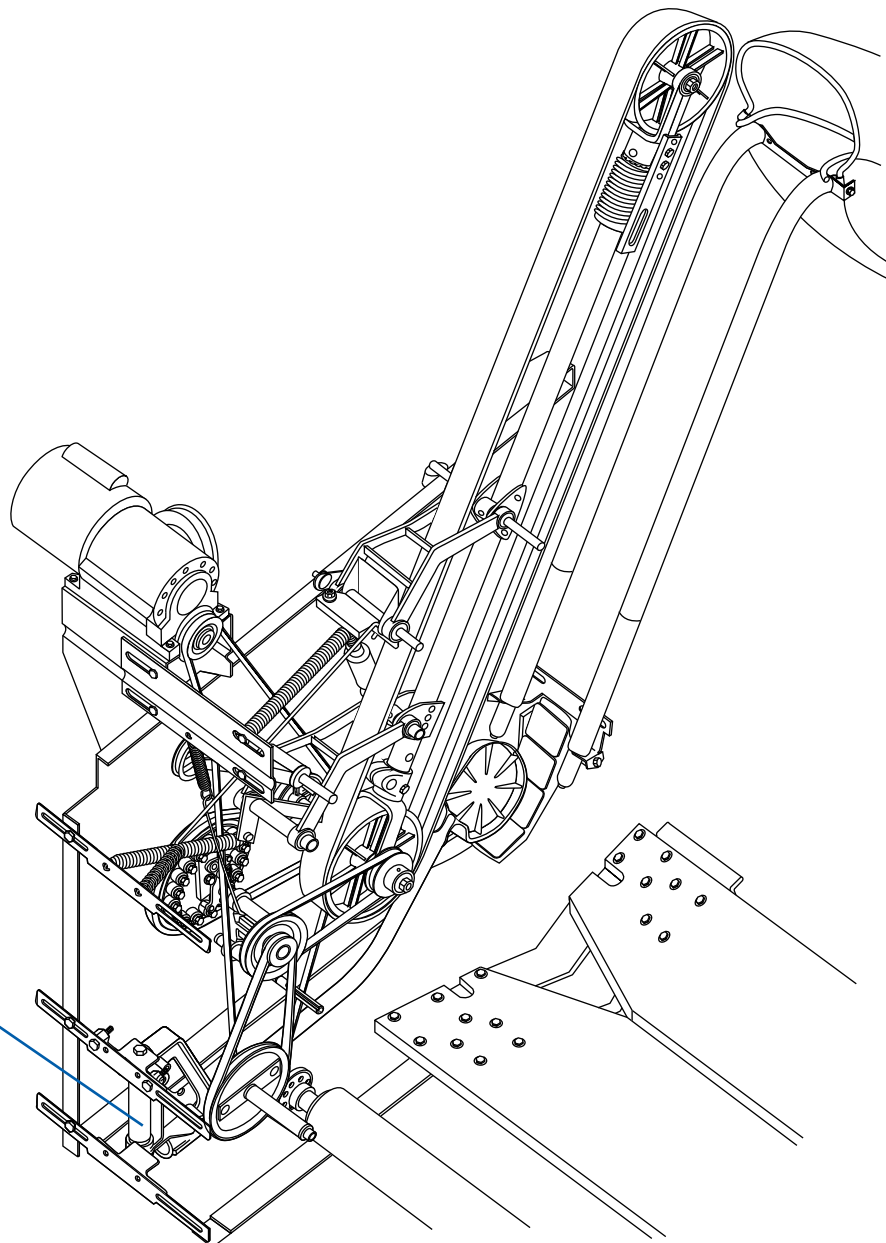


# PBL PERFORMANCE IS CLOSER THAN YOU

## OUR NEW PBL MINI KIT CAN IMPROVE BALL RETURN IN YOUR

PBL Conversion Kits for kicker roller exits improve ball return under all bowling conditions. Veteran mechanics know that PBLs solve kicker roller exit problems now! Kicker roller exits experience ball return problems for three basic reasons:

- Excessive lane oil on kicker rollers and starter pads - these are eliminated with a PBL.
- Constant adjustment of old components - all of these are replaced with a PBL.
- Hydraulic shock failure. This component may be too weak to sweep pins away or too strong, pushing light balls back into the pit. It's eliminated with a PBL from Vantage.



The Mini Conversion uses no Light Ball Sensor





# THINK, KICK THE KICKER ROLLER HABIT!!!

**CENTER WITH AS LITTLE AS THREE HOURS OF INSTALLATION TIME**

## **FULL KICKER ROLLER TO PBL CONVERSION**

### **V 610-700-120**

Each conversion kit comes complete with a light ball sensor, ratchet drive assembly, belt tightener, components to modify the belt tensioner, ball lift, kickback and track rail assemblies. Because we supply more new components than the O.E.M. version, you modify fewer parts saving time and giving you better ball return sooner.

## **THE MINI PBL SYSTEM**

### **V610 700 120 MINI**

Introduced by Vantage over 10 years ago has become an industry standard in ball lift systems. It is an economical alternative to the full PBL conversion offering an excellent ball return system with fewer parts to replace and maintain. It includes all the important components of a full PBL without the light ball sensor, but features a speed reducing pulley for slower paddle operation and our non-hydraulic, adjustable, Super Rudder Drive Link. These combine to improve the return of light balls.

## **THE MODIFIED MINI PBL I SYSTEM**

### **V610 700 120 KHP**

Vantage is introducing this new kit to help combat some of the ball lift assembly troubles currently being reported by mechanics. This new kit is a smaller version of Mini PBL eliminating the door weldments and two other sub-assembly packages from the kit. This version is meant for centers that had kicker return systems and installed humpbacks and would like to convert to the Mini PBL systems. In conjunction with the Pulleys and Ball Lift Belt set, this alternative will give each mechanic a ball lift system that will last for years to come.

## **THE MODIFIED MINI PBL II SYSTEM**

### **V610 700 120 PHP**

Vantage has introduced this new kit to help combat some of the ball lift assembly troubles currently being reported by mechanics. This new kit is a smaller version of Mini PBL only including the Ratchet Drive Assembly and those components needed for replacing the parts removed when installing the Humpback system. This version is meant for centers that had PBL return systems and installed humpbacks and would like to convert back to the PBL systems. In conjunction with the Pulleys and Ball Lift Belt set, this alternative will give each mechanic a ball lift system that will last for years to come.



# THE WORLD'S MOST POPULAR NON-METAL SPOTTING CUP JUST GOT BETTER!

With over 100,000 sold and in use, Vantage Lexan® cups are proven as durable replacements for aluminum. That's because they're not plastic - they're Lexan® an engineering polycarbonate. Their one piece construction installs easily and never requires width adjustment.

We've redesigned our product to include features loyal users have requested like:

Molded holes for "pull in" liner installation.

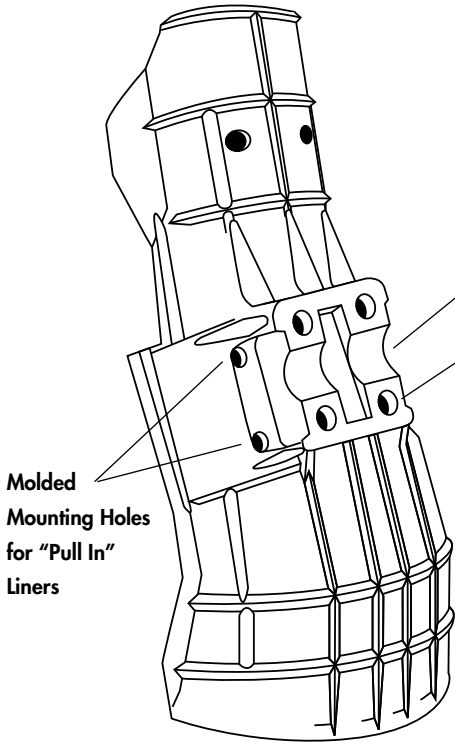
A narrower mounting area for easier side to side adjustment.

Reinforced mounting holes.

Lightweight, durable and easy to install, try the "new" Lexan® cup from Vantage - the people who made plastic cups work!

- V 070 002 809 Lexan® Spotting Cup
- V 070 002 809-L Lexan® Spotting Cup with liners

\*Lexan® is a registered trademark of General Electric Corporation.



Die Cast Aluminum Pitbull Spotting Cups! Our new die cast spotting cups offer longer life than originals. Interchange perfectly and adjust easily.

## SUPER RUDDER DRIVE LINK

### HAD IT WITH RUDDER DRIVE LINKS?

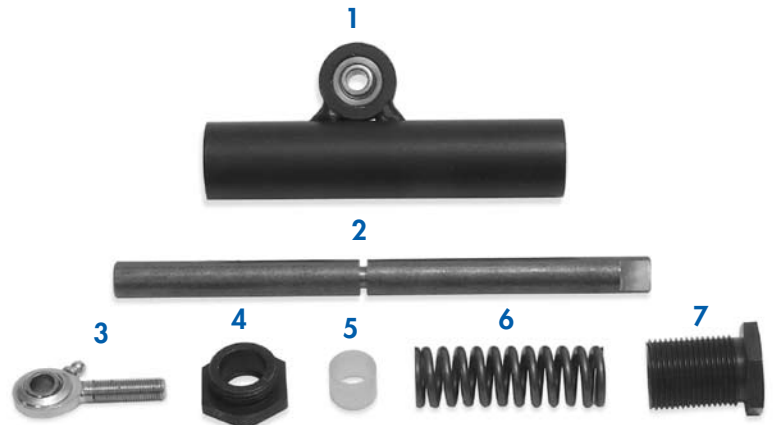
- Too much pressure?
- Too little pressure?
- Oil leakage?
- Low service life?

Try the new Super Rudder Drive Link From Vantage! Its design relies on easy to adjust spring tension that provides consistent paddle operation. Get the paddle pressure you want, without hassle.

#### Order Part Number:

V 000 029 671-A Super Rudder Drive Link

- 1 V 000 029 671-BB Complete Mod 1 Body
- 2 V 000 029 671-BS Mod 1 Shaft
- 3 V 070 006 046 Rod End
- 4 V 000 029 671-BSR Mod 1 Short Reducer
- 5 V 000 029 671-BD Delrin Bushing
- 6 V 000 029 671-S Spring
- 7 V 000 029 671-BLR Long Reducer





## VANTAGE OFFERS THREE UNIVERSAL JOINTS TO MEET THE DEMANDS OF ALL TYPES OF BOWLING.

1. The Apex brand joint is the "old original" asked for by veteran mechanics who remember these lasting for many years without failure.

Now available from Vantage.

**Order part number V 070 007 586 A**



2. Our standard universal joint has been the choice of thousands of satisfied mechanics around the world. It features a replaceable boot for easy replacement of lubrication and offers excellent service life at an attractive price.

**Order part number V 070 007 586**



3. Our new Pit Bull U Joint is made from the highest quality polymers available. It offers excellent service life at a very attractive price.

**Order part number V 070 007 586 P**



## BALL RETURN NIGHTMARES ARE OVER WITH NEW BELTS FROM VANTAGE!

Sure-Pik and ball lift problems are cured with Vantage's new rubber compound designed specifically for bowling ball returns. To fully employ its increased friction we've returned to a flat belt surface. This is more efficient than a concave surface in ball transfer. Try one you'll be glad you did!!!



### Order Part Numbers:

- |                   |                                |
|-------------------|--------------------------------|
| V 190 001 305     | Sure Pik Belt                  |
| V 000 024 604     | Ball Lift Belt                 |
| V 000 024 604 Kit | Pulleys and Ball Lift Belt Set |

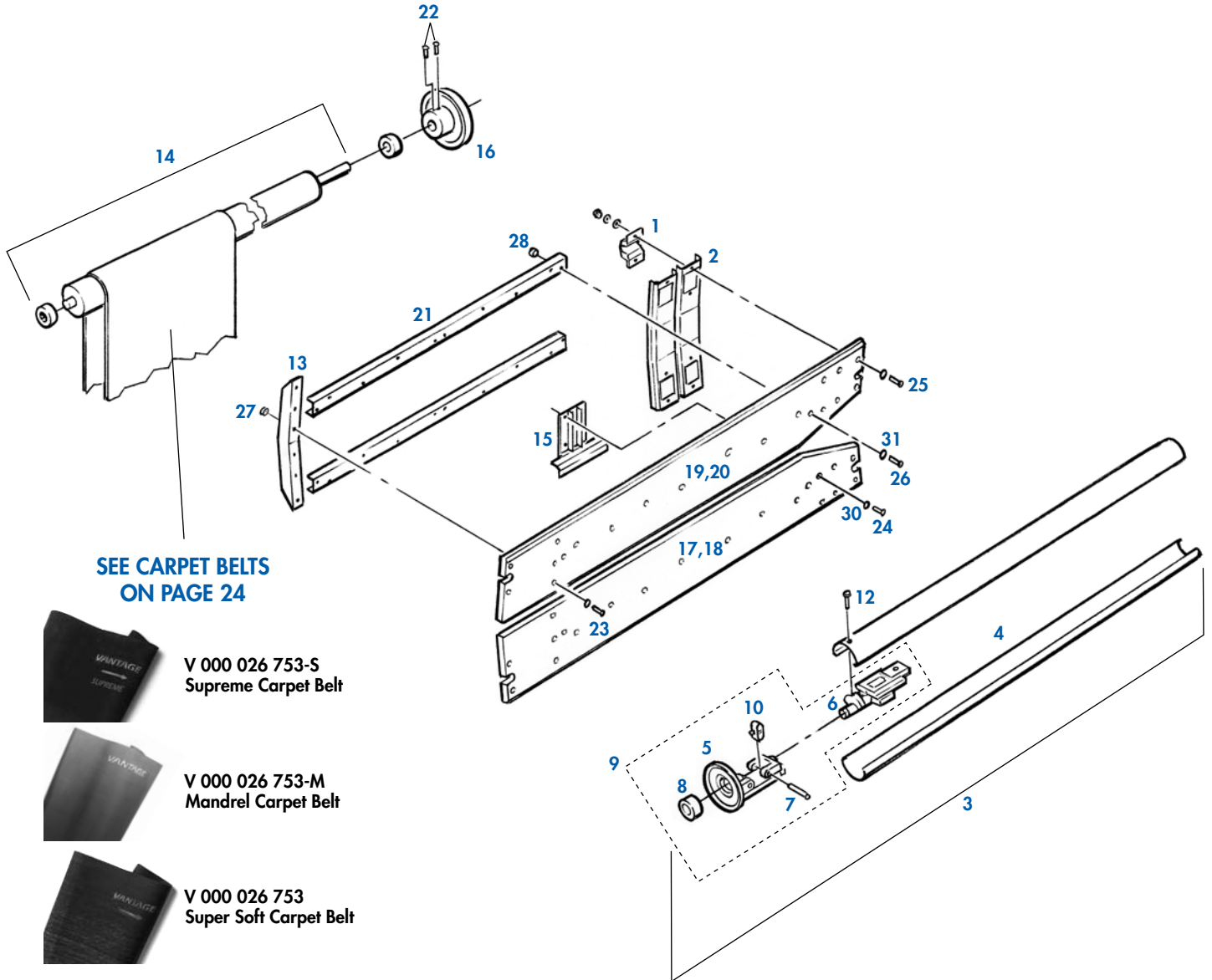
## WANT SLOWER PINWHEEL OPERATION, TRY OUR ADJUSTABLE PIN FEED PULLEY...

The answer for reduced pin distributor jams, poor pin to belt contact and old worn pins. Adjustability allows you to select the pinwheel speed you want.

### Order Part Number:

- |               |                            |
|---------------|----------------------------|
| V 000 024 598 | Adjustable Pin Feed Pulley |
|---------------|----------------------------|





SEE CARPET BELTS  
ON PAGE 24



V 000 026 753-S  
Supreme Carpet Belt



V 000 026 753-M  
Mandrel Carpet Belt



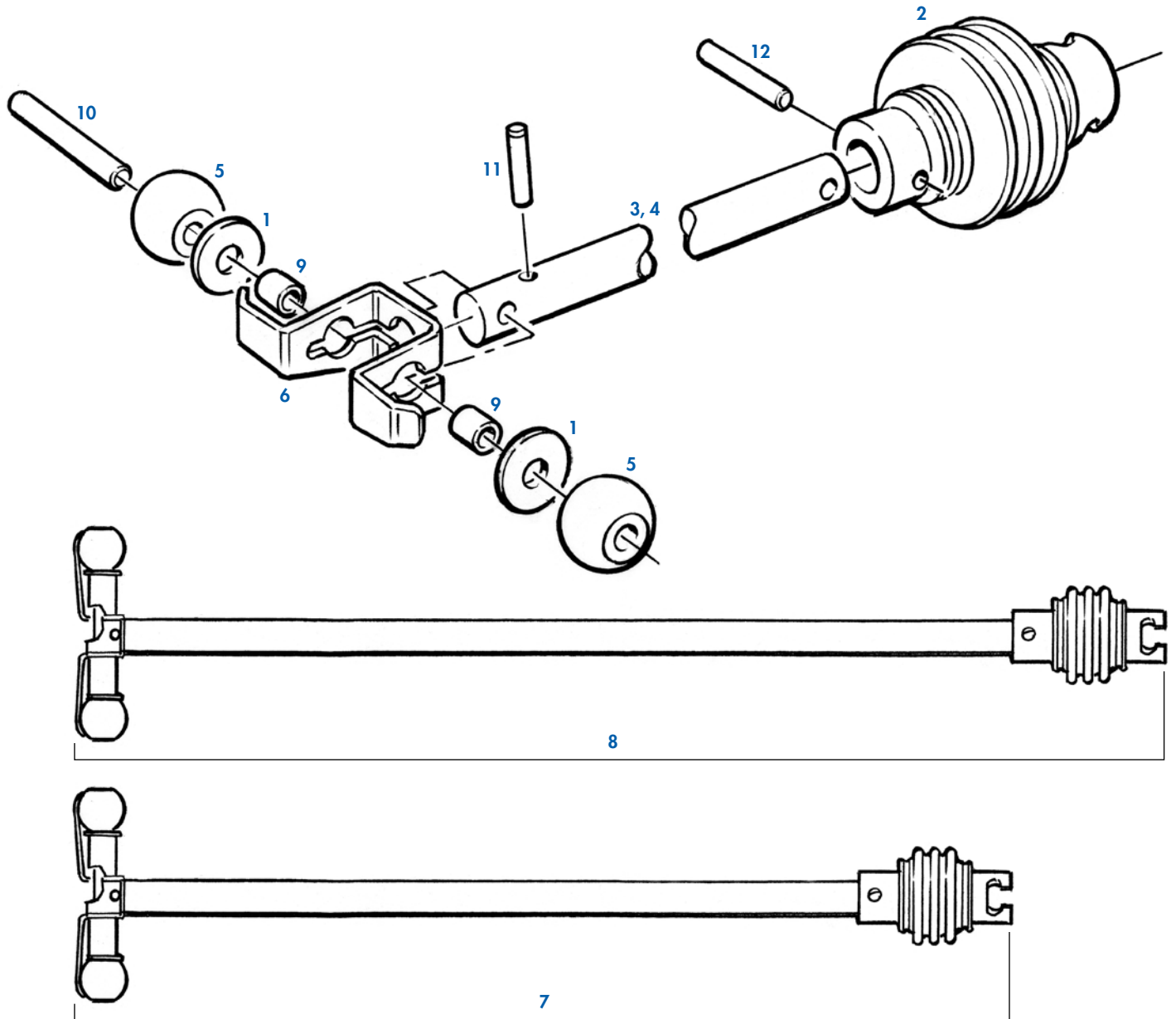
V 000 026 753  
Super Soft Carpet Belt

Part #	Description
1	V 000 021 224 Vibration Dampener
2	V 000 021 914 Channel
3	V 000 024 576 Front Roller Assembly
4	V 000 024 578 Roller Body
5	V 000 024 579 Hinge Roller
6	V 000 024 580 Hinge Shaft
7	V 000 024 582 Roller Pin
8	V 000 024 590 Bearing
9	V 000 024 592 Hinge Assembly
10	V 000 024 597 Link Assembly
11	V 000 025 622 Bonding Strap (Not Shown)

Part #	Description
12	V 000 025 662 Nyloc Screw
13	V 000 029 626 Angle Support
14	V 070 002 034 Rear Roller Assembly
15	V 070 007 769 Ball Idling Bracket
16	<b>V 090 004 203 Carpet Drive Sheave</b>
17	<b>V 090 005 270 Bounce Board RF</b>
18	<b>V 090 005 271 Bounce Board LF (Not Shown)</b>
19	<b>V 090 005 272 Bounce Board RR</b>
20	<b>V 090 005 273 Bounce board LR (Not Shown)</b>
21	<b>V 090 005 274 Reinforcing Bar</b>

Part #	Description
22	V 806 265 160 Sq Hd. Screw cup Pt. 3/16 - 16 x 1 LG.
23	V 809 849 165 Scr-Hex 1/4 - 20 x 1
24	V 809 849 325 Scr-Hex 1/4 - 20 x 2
25	V 809 857 205 Scr-Hex 1/4 - 20 x 1 - 1/4
26	V 809 857 295 Scr-Hex 1/4 - 20 x 1 - 1/4
27	V 844 049 002 Stvr-Lk 1/4 - 20
28	V 844 057 002 Stvr-Lk Nut 5/16 - 18
29	V 913 411 100 ESNA Roll Pin (Not Shown)
30	V 948 753 102 Wshr .281 I.D. x .625 O.D. x .06
31	V 948 761 112 Wshr, 343 I.D. x 625 O.D. x .06

**Bold faced parts denote new parts.**  
**\*Available starting Fall 2006.**



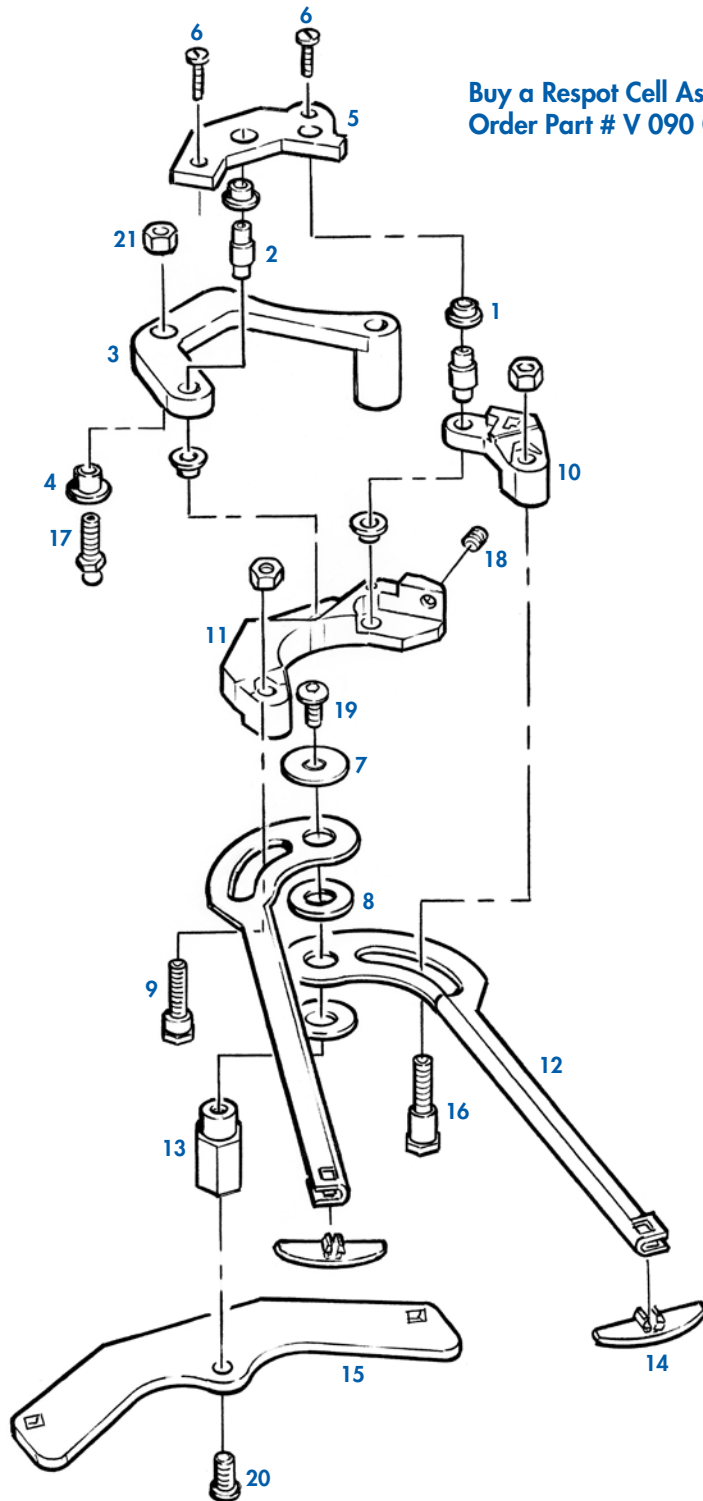
Part #	Description	Part #	Description	Part #	Description
1	V 000 029 073 Washer	6	V 090 002 034 <b>Ball Bearing Retainer</b>	9	V 722 501 070 Spacer
2	V 070 007 586 Universal Joint	7	V 090 006 102 <b>Distributor Drive Shaft Assy - R.H. ODD Short</b>	10	V 908 048 480 Dowel Pin, 1/4 x 3.0
3	V 090 002 017 <b>Shaft, L.H. Machine</b>	8	V 090 006 103 <b>Distributor Drive Shaft Assy - L.H. EVEN Long</b>	11	V 913 423 120 Spring Pin, .125 x 3/4 LG.
4	V 090 002 018 <b>Shaft, R.H. Machine</b>			12	V 913 437 160 Spring Pin, .187 x 1 LG.
5	V 090 002 019 <b>Ball Bearing</b>				

**Bold faced parts denote new parts.**  
**\*Available starting Fall 2006.**



# Respot Cell Assembly 1-6 (Steel)

Buy a Respot Cell Assembly 1-6.  
Order Part # V 090 005 544



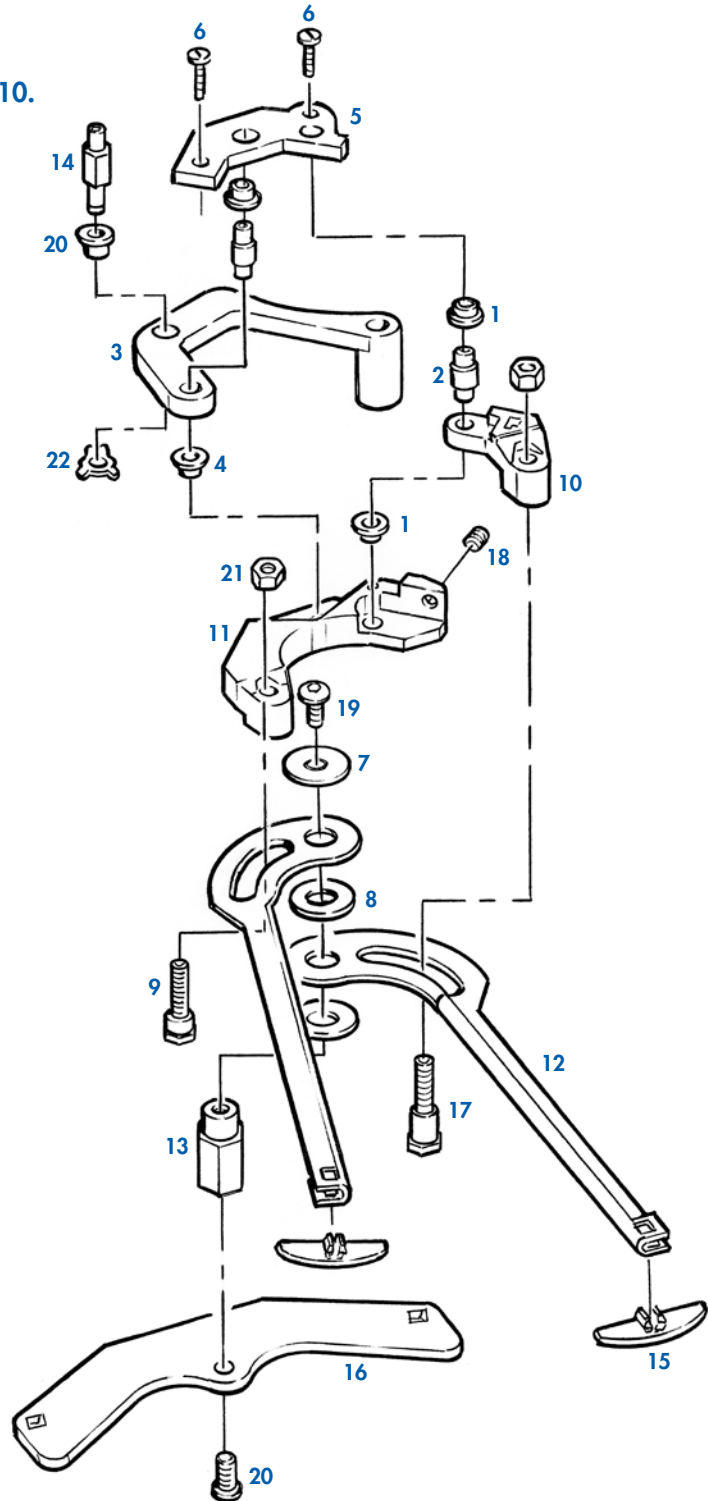
Part #	Description
--------	-------------

1	V 070 002 630 Flanged Bearing, .252 x .315 x .218
2	V 070 002 645 Lever Assembly Shaft
3	V 070 002 651 Respot Lever
4	V 070 002 653 Flanged Bearing, .252 x .315 x .38
5	V 070 002 695 Yoke Plate
6	V 070 002 750 Screw, Flat Head
7	V 070 007 192 Washer
8	V 070 007 193 Respot Cell Spacer
9	V 070 007 195 Stud, Short
<b>10</b>	<b>V 090 004 113 Respot Yoke Arm</b>
<b>11</b>	<b>V 090 004 118 Respot Yoke Arm</b>
<b>12</b>	<b>V 090 004 119 Respot Finger</b>
<b>13</b>	<b>V 090 005 522 Respot Finger Bushing</b>
<b>14</b>	<b>V 090 005 617 Finger Insert</b>
<b>15</b>	<b>V 090 005 632 Not Available</b>
<b>16</b>	<b>V 090 005 640 Stud, Long</b>
17	V 730 027 019 Stud, Ball Head
18	V 807 650 050 Setscrew, 1/4 - 28 x 5/16
19	V 808 549 080 Screw, Button Head Cap, 1/4 - 20 x 1/2
20	V 809 149 100 Screw, Button HD w/Patch, 1/4 - 20 x 5/8
21	V 844 049 002 Nut, Stover Lock, 1/4 - 20

**Bold faced parts denote new parts.  
\*Available starting Fall 2006.**



Buy a Respot Cell Assembly 7-10.  
Order Part # V 090 005 540



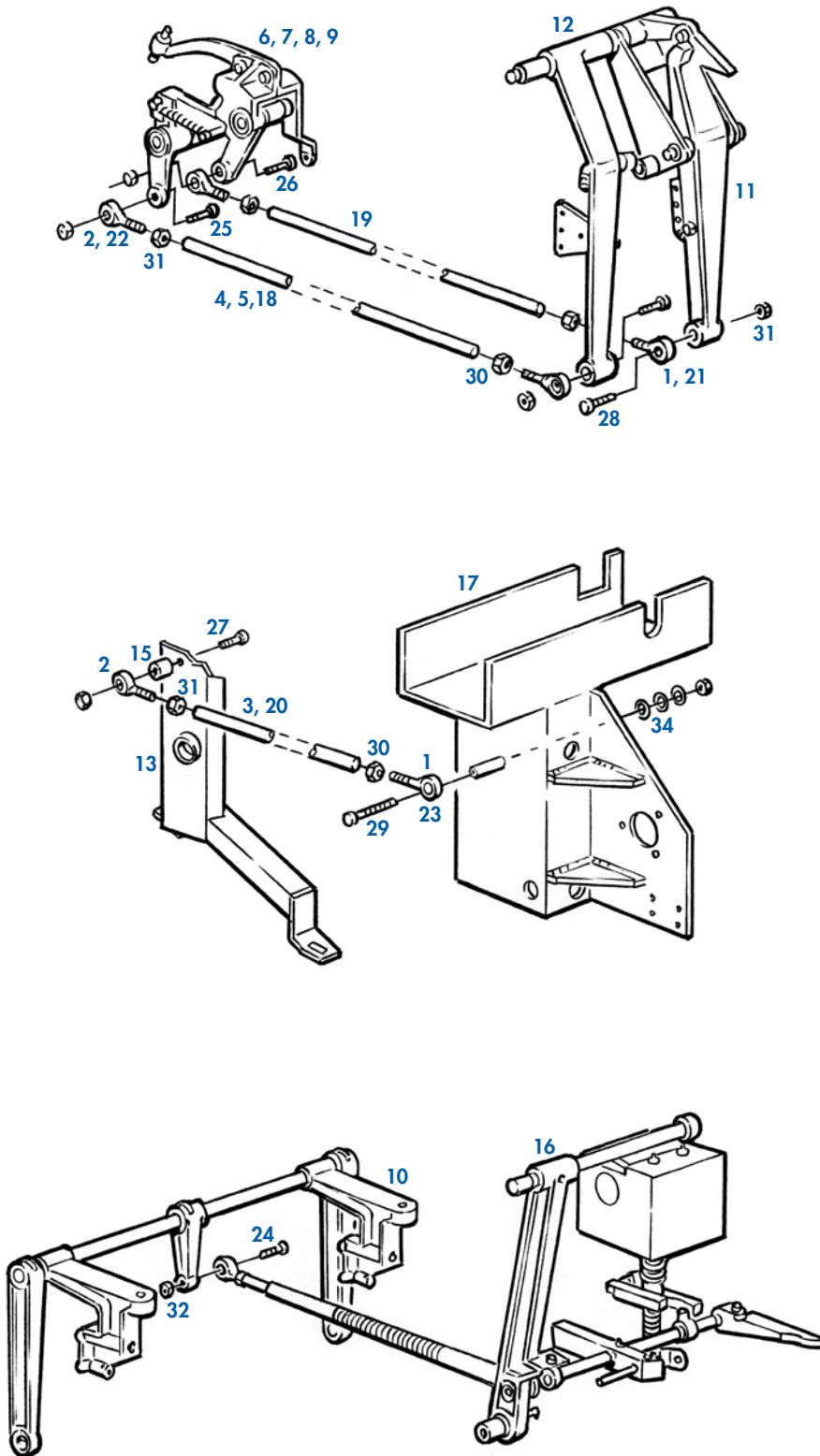
Part #	Description
--------	-------------

- |           |   |
|-----------|---|
| 1         | V 070 002 630 Flanged Bearing,<br>.252 x .315 x .218      |
| 2         | V 070 002 645 Lever Assembly Shaft                        |
| 3         | V 070 002 651 Respot Lever                                |
| 4         | V 070 002 653 Flanged Bearing,<br>.252 x .315 x .38       |
| 5         | V 070 002 695 Yoke Plate                                  |
| 6         | V 070 002 750 Screw, Flat Head                            |
| 7         | V 070 007 192 Washer                                      |
| 8         | V 070 007 193 Respot Cell Spacer                          |
| 9         | V 070 007 195 Stud, Short                                 |
| <b>10</b> | <b>V 090 004 113 Respot Yoke Arm</b>                      |
| <b>11</b> | <b>V 090 004 118 Respot Yoke</b>                          |
| <b>12</b> | <b>V 090 004 119 Respot Finger</b>                        |
| <b>13</b> | <b>V 090 005 522 Respot Finger Bushing</b>                |
| <b>14</b> | <b>V 090 005 571 Pin, 8-9-10 Links</b>                    |
| <b>15</b> | <b>V 090 005 617 Finger Insert</b>                        |
| <b>16</b> | <b>V 090 005 632 Not Available</b>                        |
| <b>17</b> | <b>V 090 005 640 Stud, Long</b>                           |
| 18        | V 807 650 050 Setscrew, 1/4 - 28 x 5/16                   |
| 19        | V 808 549 080 Screw, Button Head Cap,<br>1/4 - 20 X 1/2   |
| 20        | V 809 149 100 Screw, Button HD w/Patch,<br>1/4 - 20 x 5/8 |
| 21        | V 844 049 002 Nut, Stover Lock, 1/4 - 20                  |
| 22        | V 963 200 002 X-Washer                                    |

**Bold faced parts denote new parts.**  
**\*Available starting Fall 2006.**



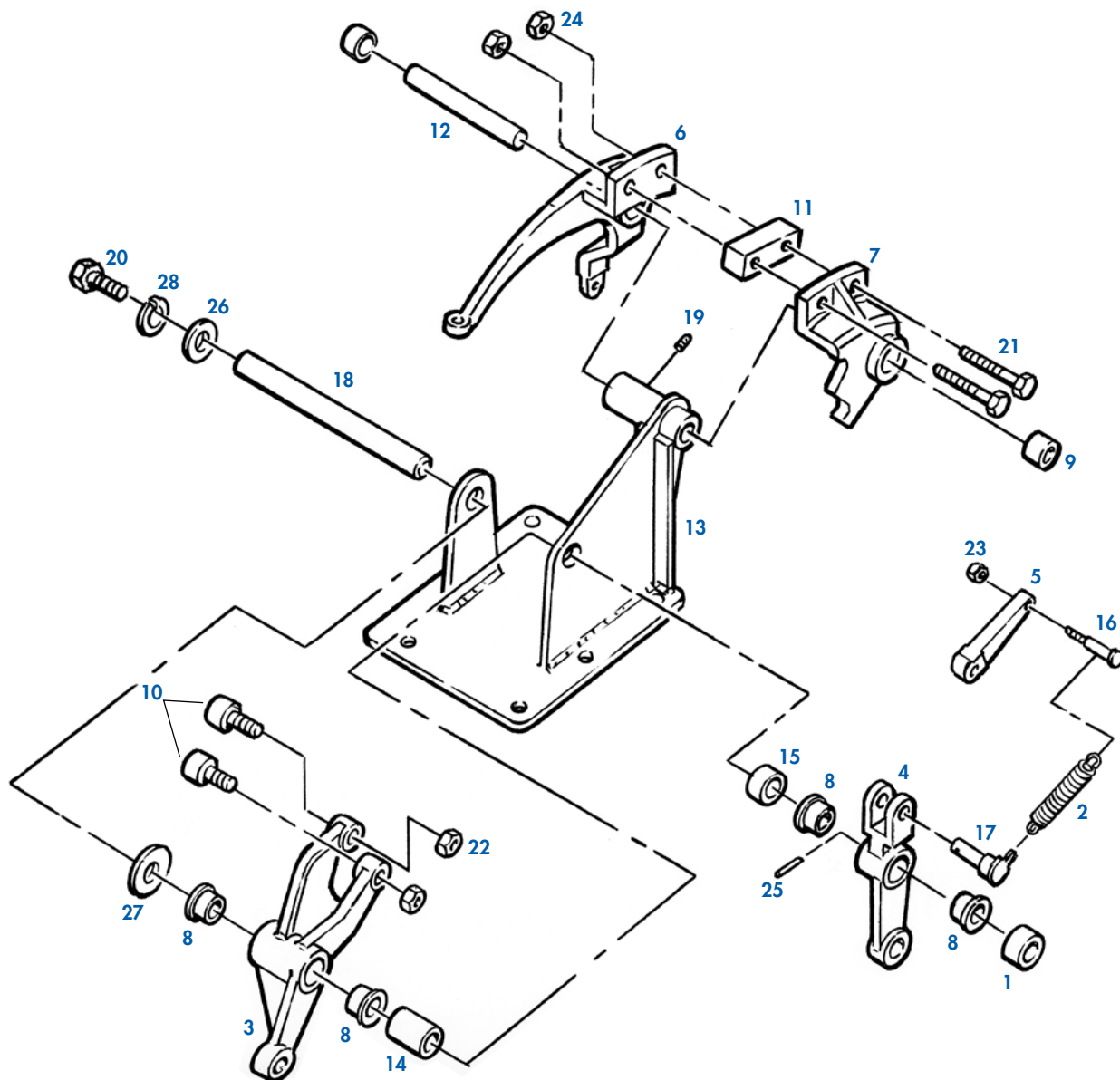
# Tie Rod Assembly



### Part # Description

1	V 000 025 004 End Fitting, R.H.
2	V 000 025 005 End Fitting L.H.
3	V 070 001 557 Table Tie Rod
4	V 070 001 601 Tie Rod Assy Respot
5	V 070 001 606 Respot Tie Rod
6	V 070 002 578 Spot Lever Assembly
7	V 070 002 595 Not Available
8	V 070 002 727 Shifter Link Assembly
9	V 070 002 728 Cam Link Assembly
10	V 070 006 358 Bracket Asy For Bin
11	V 070 006 481 Spot Link Assembly
12	V 070 006 492 Respot Arm Link Assembly
13	V 070 007 295 Table Support Weldment R.H.
14	V 070 007 296 Table Support Weldment L.H. (Not Shown)
15	V 070 007 303 Spacer, 7/16 I.D.
16	<b>V 090 003 655 Not Available</b>
17	<b>V 090 004 001 Not Available</b>
18	<b>V 090 005 251 Tie Rod Assy Respot</b>
19	<b>V 090 005 252 Tie Rod Assembly Spot</b>
20	<b>V 090 005 253 Tie Rod Assy</b>
21	<b>V 090 005 264 End Fitting, R.H.</b>
22	<b>V 090 005 265 End Fitting, L.H.</b>
23	V 710 501 013 Not Available
24	V 809 865 245 Hex HD. Cap Screw, 3/8 - 16 x 1-1/2 LG
25	V 809 869 245 Hex HD. Cap Screw, 7/16 - 14 x 1 - 1/2 LG
26	V 809 869 285 Hex HD. Cap Screw, 7/16 - 14 x 1 - 3/4 LG
27	V 809 869 325 Hex HD. Cap Screw, 7/16 - 14 x 2 LG
28	V 809 869 365 Hex HD. Cap Screw, 7/16 - 1/4 x 2 - 1/4 LG.
29	V 809 869 405 Hex HD. Cap Screw R.H. 7/16 - 14 x 2 - 1/2 LG.
30	V 835 570 002 Hex Jam Nut, 7/16 - 20 R.H.
31	V 835 670 002 Hex Jam Nut, 7/16 - 20 L.H.
32	V 844 065 002 Flex Loc Nut, 3/8 - 16
33	V 844 069 002 Stover Lock Nut, 7/16 - 14
34	V 949 100 002 Plain Washer, 15/32 I.D. x 59/64

**Bold faced parts denote new parts.  
\*Available starting Fall 2006.**

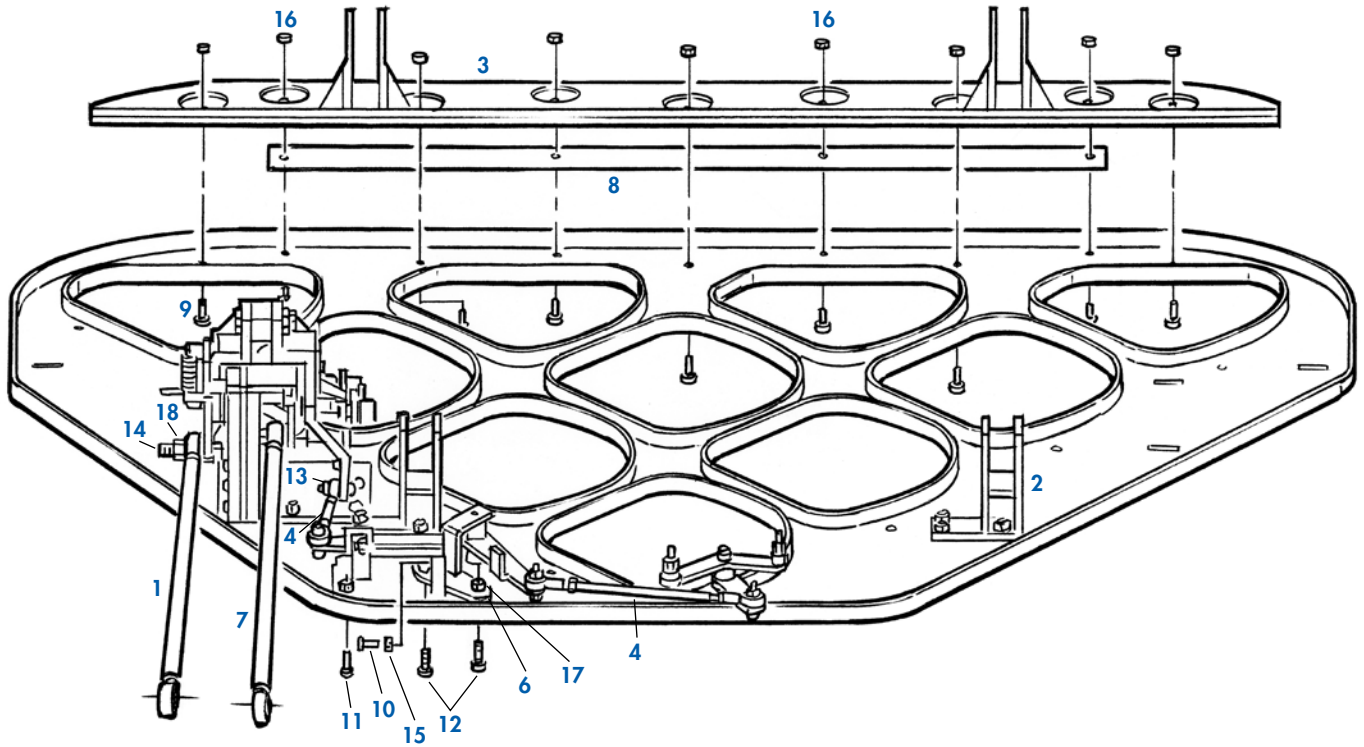


Part #	Description	Part #	Description	Part #	Description
1	V 000 021 423 Shaft Collar	8	V 070 002 745 Flanged Bearing, .6265 x .814 x 1/2	19	V 807 249 060 Setscrew, 1/4 - 20 x 3/8
2	V 070 001 807 Respot Lever Spring	9	V 070 002 781 Needle Bearing	20	V 809 865 125 Screw, Hex , 3/8 - 16 x 3/4
3	V 070 002 578 Spot Lever Assembly (Includes 14 & 21)	10	V 070 002 816 Cam Follower	21	V 809 865 325 Screw, Hex 3/8 - 16 x 2
4	V 070 002 579 Finger Lever Assy (Includes 14 & 16)	<b>*11</b>	<b>V 090 005 520 Spacer</b>	22	V 840 066 002 Nut, Flex Lock, Thin, 3/8 - 24
5	V 070 002 590 Finger Link	<b>*12</b>	<b>V 090 005 521 Shaft, Short Side</b>	23	V 843 140 002 Nut, Hex Lock, 10 - 32
6	V 070 002 725 Not Available	<b>*13</b>	<b>V 090 005 526 Tie Rod Bracket</b>	24	V 844 065 002 Nut, Stover Lock, 3/8 - 16
7	V 070 002 727 Shifter Link & Bearing Assy (Includes 4 & 6)	<b>*14</b>	<b>V 090 005 532 Spacer</b>	25	V 913 423 120 Spring Pin
		<b>*15</b>	<b>V 090 005 533 Spacer</b>	26	V 948 767 132 Washer, Flat, 13/32 x 13/16 x 1/16
		<b>*16</b>	<b>V 090 005 629 Pin</b>	27	V 948 983 212 Washer, Flat, 21/32 x 1-5/16
		<b>*17</b>	<b>V 090 005 631 Pivot Weldment</b>	28	V 951 164 002 Washer, Split Lock, 3/8
		<b>*18</b>	<b>V 090 005 655 Shaft</b>		

**Bold faced parts denote new parts.**  
**\*Available starting Fall 2006.**



# Table & Bracket Assembly (Steel)



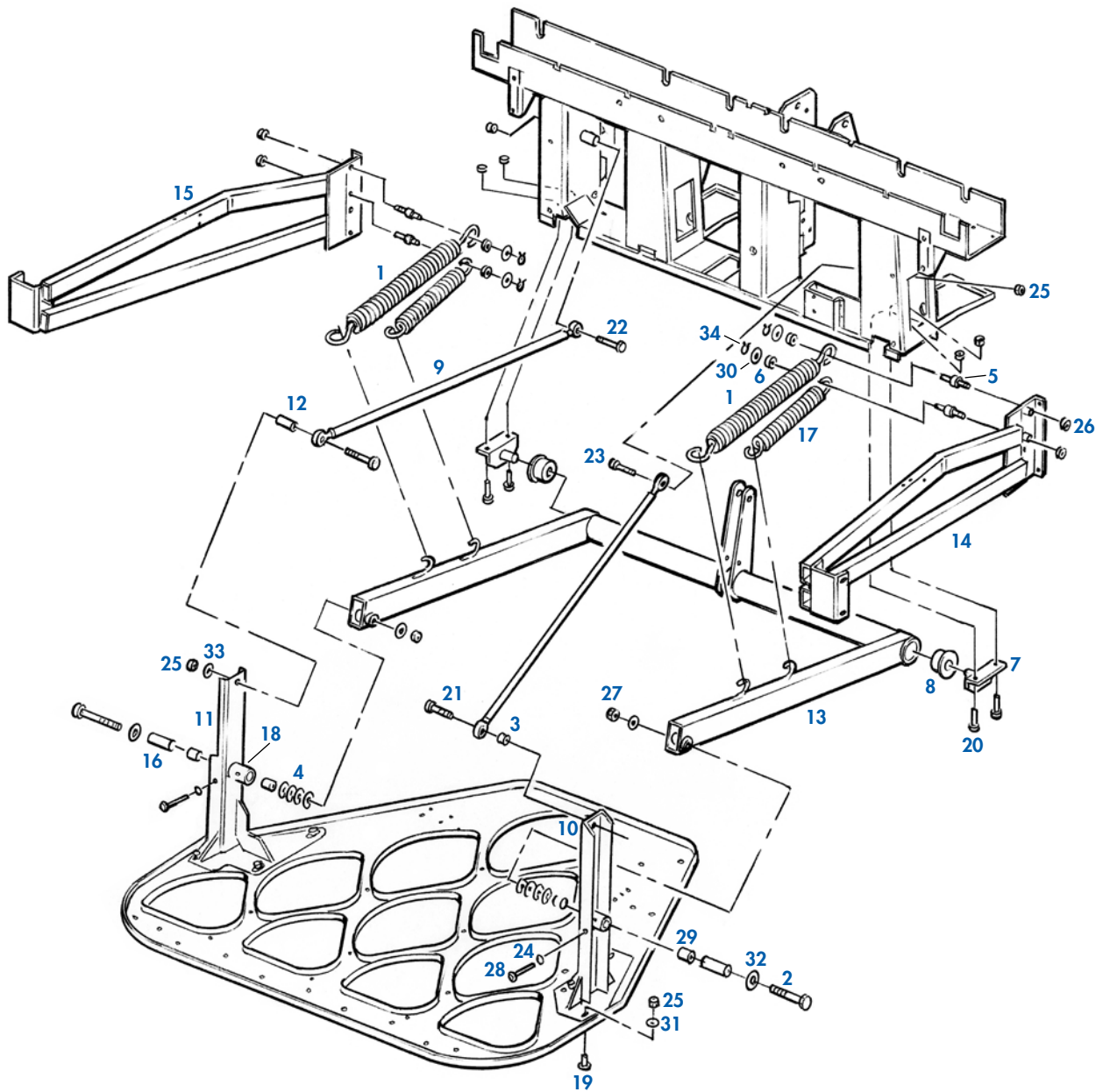
Part #	Description
1	V 090 005 251 Respot Tie Rod
2	V 090 005 505 Front Bracket Weldment
*3	V 090 005 536 Mounting Bracket
4	V 090 005 613 Rod Assembly, Long
5	V 090 005 615 Rod Assembly, Short
*6	V 090 005 637 Pivot Support Bracket
7	V 090 005 651 Spot Tie Rod
8	V 090 005 656 Rear Bracket Shim

Part #	Description
9	V 808 549 120 Screw, Button Head Cap, 1/4 - 20 x 3/4
10	V 808 549 200 Screw, Button Head Cap, 1/4 - 20 x 1-1/4
11	V 808 557 120 Screw, Button Head Cap, 5/16 - 18 x 3/4
12	V 808 557 140 Screw, Button Head Cap, 5/16 - 18 x 7/8

Part #	Description
13	V 809 849 165 Screw, Hex, 1/4 - 20 x 1
14	V 809 869 285 Screw, Hex, 7/16 - 14 x 1-1/2
15	V 835 549 002 Nut, Hex Jam, 1/4 - 20
16	V 844 049 002 Nut, Stover Lock, 1/4 - 20
17	V 844 057 002 Nut, Stover Lock, 5/16 - 18
18	V 844 069 002 Nut, Stover Lock, 7/16 - 14

**Bold faced parts denote new parts.**  
**\*Available starting Fall 2006.**



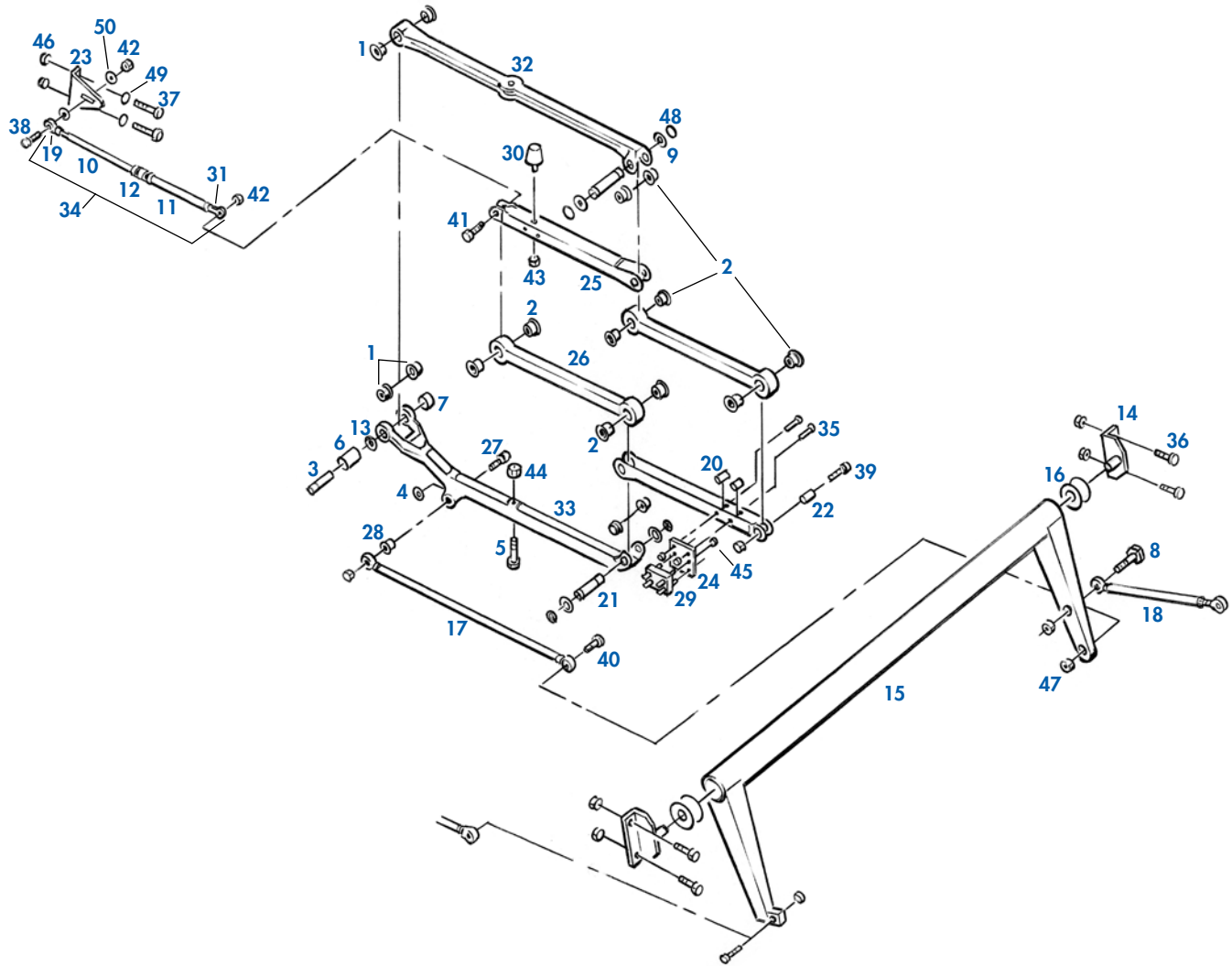


Part #	Description	Part #	Description	Part #	Description
1	V 000 022 782 Counterbalance Spring	13	V 090 005 645 Torque Tube Weldment	25	V 838 369 002 Not Available
2	V 070 006 048 Bolt, Special	14	V 090 005 646 Not Available	26	V 839 665 002 Nut, Stover Lock, 3/8 - 16
3	V 070 007 303 Leveling Rod Spacer	15	V 090 005 647 Not Available	27	V 844 081 002 Nut, Stover Lock, 5/8 - 11
4	V 070 007 752 Spacer	16	V 090 005 654 Sleeve, Upright	28	V 879 849 487 Not Available
5	V 090 002 028 Spring Roller Pin	17	V 090 005 662 Counterbalance Spring, Small	29	V 900 114 101 Sleeve Bearing, .877 x 1.128 x 5/8
6	V 090 003 795 Counterbalance Spring Roller	18	V 710 501 009 Not Available	30	V 945 867 242 Washer, Flat, .406 x 1-1/2 x .05
7	V 090 004 007 Tube Hanger Bracket	19	V 801 369 161 Not Available	31	V 948 868 162 Washer, Flat, 7/16
8	V 090 005 015 Bearing Torque Tube	20	V 809 865 245 Screw, Hex, 3/8 - 16 x 1-1/2	32	V 948 983 212 Washer, 21/32 x 1-5/16
9	V 090 005 253 Tie Rod Assembly	21	V 809 869 325 Screw, Hex, 7/16 - 14 x 2.25	33	V 949 100 002 Washer, 59/64 x 15/32 x 1/16
10	V 090 005 509 Table Support Weldment, L.H.	22	V 809 869 365 Screw, Hex, 7/16 - 14 x 2.25	34	V 963 400 002 X-Washer, 3/16
11	V 090 005 514 Table Support Weldment, R.H.	23	V 809 869 520 Screw, Hex, 7/16 - 14 x 3.25		
12	V 090 005 597 Leveling Spacer	24	V 835 549 002 Nut, Hex Jam, 1/4 - 20		

**Bold faced parts denote new parts.**  
**\*Available starting Fall 2006.**



# Sweep Arm Assembly

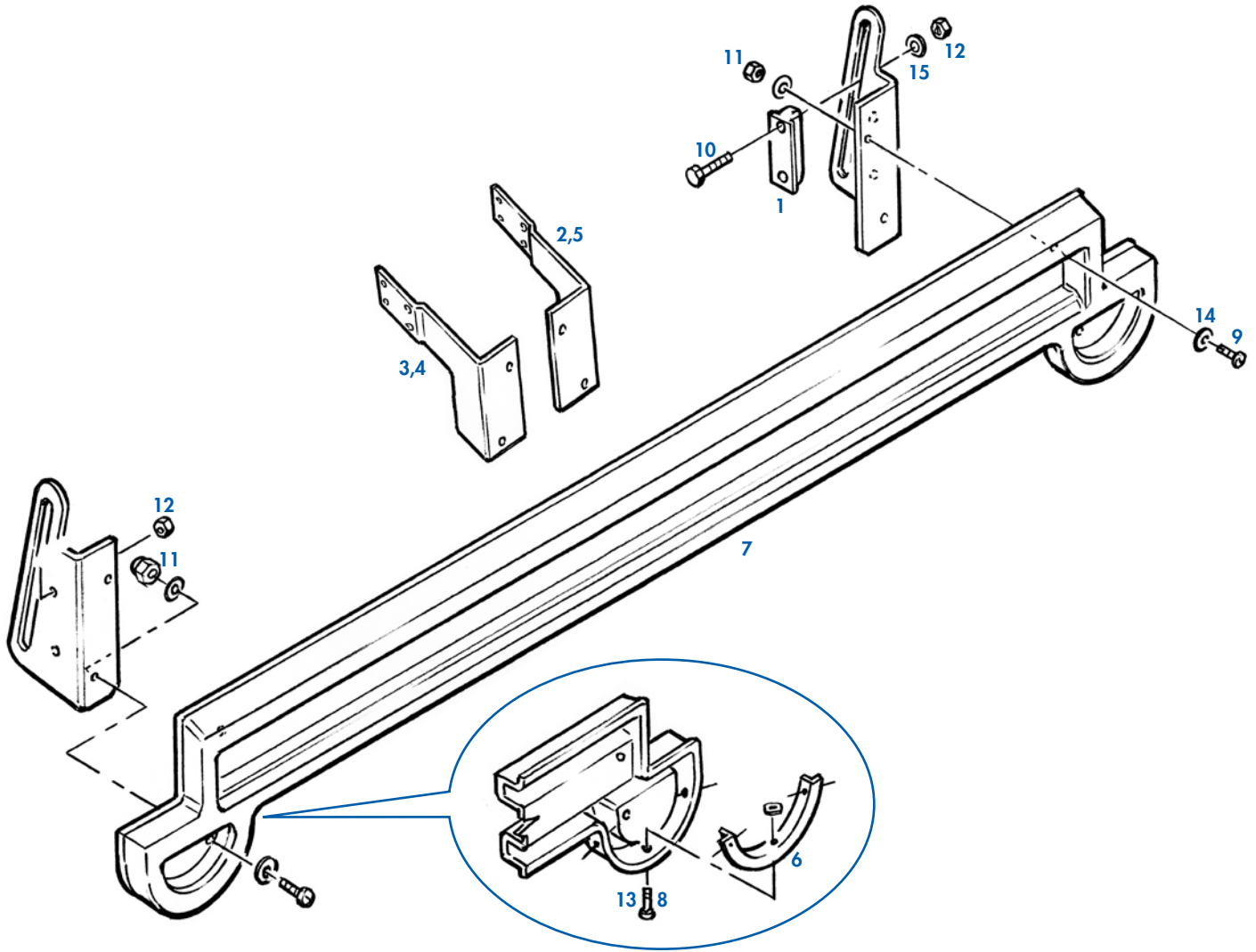


Part #	Description
1	V 000 023 104 Flanged Bearing, 1.25 x 1.5 .953
2	V 000 023 114 Flanged Bearing, .628 x .81 x .06
3	V 070 003 106 Main Pivot Shaft
4	V 070 003 117 Drive Link Spacer
5	V 070 003 221 Screw, Sweep Link Assembly
6	V 070 003 232 Main Pivot Spacer, Long
7	V 070 003 233 Main Pivot Spacer, Short
8	V 070 003 243 Screw, Hex, 1/2 - 13 x 2 1/2
9	V 070 006 121 Washer
10	V 070 007 276 Rod
11	V 070 007 278 Tube Weldment
12	V 070 007 283 Bumper
13	V 070 011 819 Not Available
14	<b>V 090 004 007 Torque Tube Hanger</b>
15	<b>V 090 004 010 Sweep Rocker Arm</b>
16	<b>V 090 005 015 Torque Tube Bearing</b>
17	<b>V 090 005 254 Drive Link Connecting Rod</b>
18	<b>V 090 005 255 Connecting Rod Assembly</b>

Part #	Description
19	<b>V 090 005 257 Rod End</b>
20	<b>V 090 006 125 Lower Steel Sweep Spacer</b>
21	<b>V 090 006 126 Pin, Steel Sweep Linkage</b>
22	<b>V 090 006 127 Steel Sweep Link Sleeve</b>
23	<b>V 090 006 128 Sweep Link Bracket</b>
24	<b>V 090 006 131 Sweep Shock Mount Plate</b>
25	<b>V 090 006 132 Steel Sweep Link, Upper &amp; Lower</b>
26	<b>V 090 006 133 Middle Link, Steel</b>
27	<b>V 090 006 134 Drive Link Pin</b>
28	<b>V 090 006 135 Drive Link Bushing/Spacer</b>
29	<b>V 090 006 136 Shock Mount</b>
30	<b>V 090 006 137 Bumper</b>
31	<b>V 090 006 138 Rod End, 7/16 - 20 .5</b>
32	<b>V 090 006 139 Stabilizer Link Assy</b>
33	<b>V 090 006 140 Drive Link Assy</b>

Part #	Description
34	<b>V 090 006 145 Sweep Link Slide Assy</b>
35	V 809 857 365 Screw, Hex, 5/16 - 18 x 2 1/4
36	V 809 865 285 Screw, Hex, 3/8 - 16 x 1 x 3/4
37	V 809 865 445 Screw, Hex, 3/8 - 16 x 2.75
38	V 809 869 245 Bolt, 7/16-14 x 1.5
39	V 809 869 325 Bolt, Hex, 7/16 - 14 x 2
40	V 809 869 365 Screw, Hex, 7/16 - 14 x 2-1/4
41	V 809 869 405 Bolt, Hex, 7/16 - 14 x 2-1/2
42	V 844 069 002 Nut, Stover Lock, 7/16 - 14
43	V 839 057 002 Nut, Hex Lock Nylon, 5/16 - 18
44	V 839 665 002 Nut, Flex Lock, 3/8 - 16
45	V 844 057 002 Nut, Stover Lock, 5/16 - 18
46	V 844 065 002 Nut, Stover Lock, 3/8 - 16
47	V 844 073 002 Nut, Stover Lock, 1/2 - 13
48	V 919 005 600 Retaining Ring
49	V 948 767 132 Washer, 13/32 x 13/16 x 1/16
50	V 949 100 002 Washer, 59/64 x 15/32

**Bold faced parts denote new parts.**  
**\*Available starting Fall 2006.**



Part #	Description
1	V 000 023 182 Slide Bar
2	<b>V 090 001 170 Sweep Mounting Bracket R.H.</b>
3	<b>V 090 001 171 Sweep Mounting Bracket L.H.</b>
4	<b>V 090 006 129 Sweep Mounting Bracket L.H.</b>
5	<b>V 090 006 130 Sweep Mounting Bracket R.H.</b>
6	V 300 000 175 Cap- Sweep Bar
7	V 300 000 182 Sweep Bar and Cap Assembly

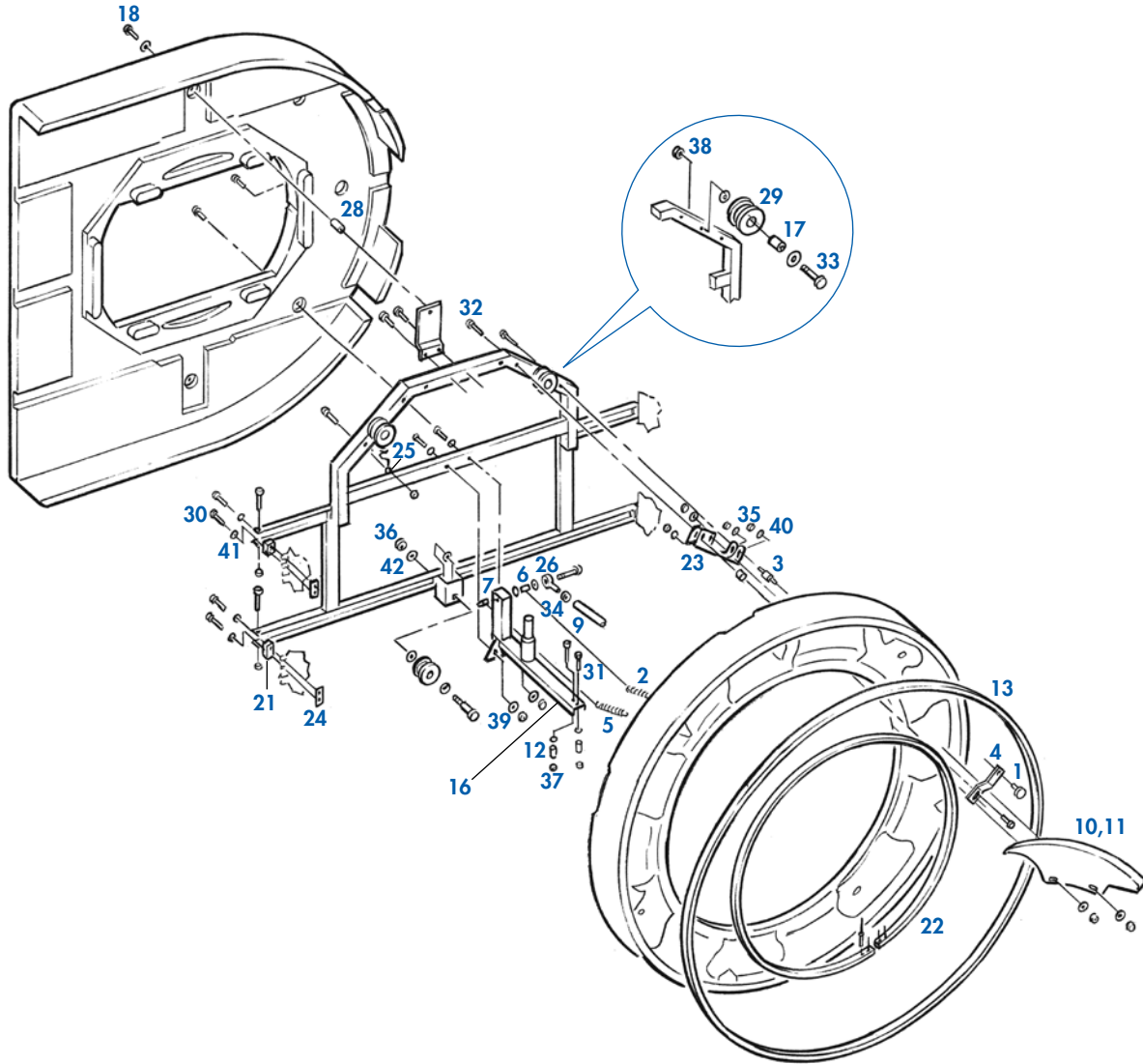
Part #	Description
8	V 749 537 068 Not Available
9	V 808 557 140 Screw, Soc. Butt HD. 5/16 - 18 x 7/8 LG
10	V 809 857 245 Screw, Hex HD. Cap, 5/16 - 18 x 1 - 1/2 LG (GR-8)
11	V 830 057 002 Nut - Acorn 5/16 - 18 (Plated)
12	V 844 057 002 Nut Stover Lock 5/16 - 18

Part #	Description
13	V 938 637 100 Rivet-Pop 3/16 Diameter, Aluminum
14	V 948 722 111 Washer - Black Oxide, 11/16 O.D. x 11/32 I.D. x 1/16 THK
15	V 948 761 112 Washer, 11/16 O.D. x. 11/32 I.D. x 1/16 THK.

**Bold faced parts denote new parts.**  
**\*Available starting Fall 2006.**



# Pin Elevator Wheel Assembly



Part #	Description
1	V 000 021 992 Bumper
2	V 000 026 032 Distributor Lateral Drive Spring
3	V 000 029 068 Rubber Mounting
4	V 070 001 415 Rail Stop Bracket
5	V 070 006 030 Safety Link Spring
6	V 070 006 043 Spacer
7	V 070 006 044 Spring Post Nut, 3/8 - 16
8	V 070 006 045 Distributor Support Post
9	V 070 006 047 Safety Link Tube
10	V 070 006 098 Rail, R.H. Machine
11	V 070 006 099 Rail, L.H. Machine
12	V 070 008 449 Spacer
<b>*13</b>	<b>V 090 002 065 Pin Wheel Bolt</b>
<b>*14</b>	<b>V 090 003 102 Not Available</b>
<b>*15</b>	<b>V 090 003 111 Upper Guard Support</b>

Part #	Description
<b>*16</b>	<b>V 090 003 112 Distributor Mount</b>
<b>*17</b>	<b>V 090 003 116 Spacer</b>
<b>*18</b>	<b>V 090 004 055 Washer</b>
<b>*19</b>	<b>V 090 004 116 Not Available</b>
<b>*20</b>	<b>V 090 004 117 Not Available</b>
<b>*21</b>	<b>V 090 005 106 Hinge/Spacer</b>
<b>*22</b>	<b>V 090 005 108 Pin Wheel Strip</b>
<b>*23</b>	<b>V 090 005 120 Rail Standoff Bracket</b>
<b>*24</b>	<b>V 090 005 123 Nut Plate</b>
<b>*25</b>	<b>V 090 005 144 Static Brush</b>
<b>*26</b>	<b>V 090 005 256 Rod End</b>
<b>*27</b>	<b>V 090 007 145 Not Available</b>
<b>*28</b>	<b>V 090 007 241 Spacer</b>
<b>*29</b>	<b>V 090 007 327 Pin Elevator Roller</b>
30	V 809 857 325 Screw, Hex, 5/16 - 18 x 2

Part #	Description
31	V 809 857 365 Screw, Hex, 5/16 - 18 x 2-1/4
32	V 809 857 405 Screw, Hex, 5/16 - 18 x 2-1/2
33	V 809 865 725 Screw, Hex, 3/8 - 16 x 4-1/2
34	V 831 566 002 Nut, Hex, 3/8 - 24
35	V 834 557 002 Nut, Hex, 5/16 - 18
36	V 840 381 002 Nut, Flex Lock, 5/8-11
37	V 844 057 002 Nut, Stover Lock, 5/16 - 18
38	V 844 065 002 Nut, Stover Lock, 3/8 - 16
39	V 948 761 112 Washer, Flat, 11/16 x 11/32 x 1/16
40	V 948 767 132 Washer, 13/16 x 13/32 x 1/16
41	V 951 156 002 Washer, Split Lock, 5/16
42	V 951 181 002 Washer, Split Lock, 5/8

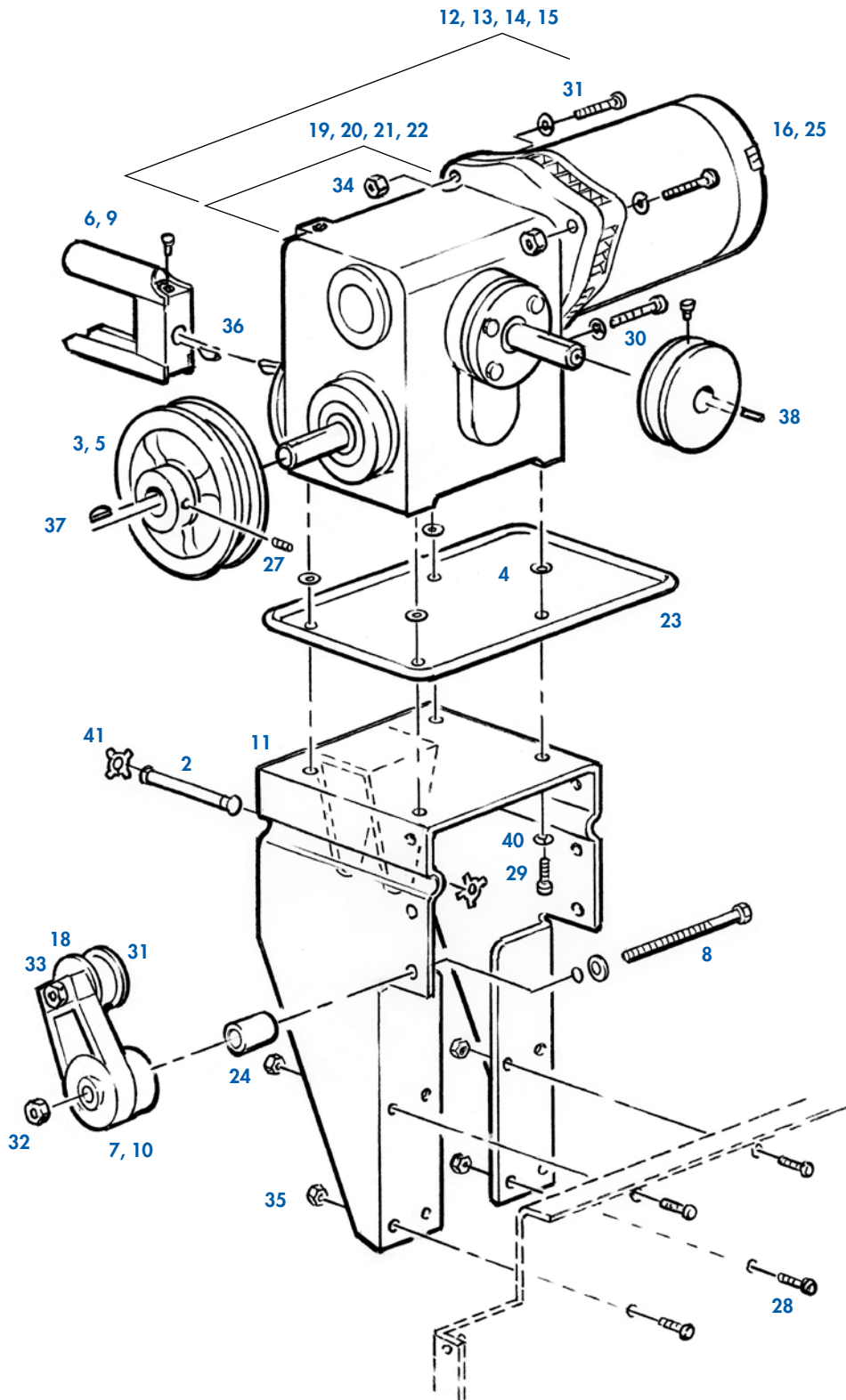
**Bold faced parts denote new parts.**  
**\*Available starting Fall 2006.**



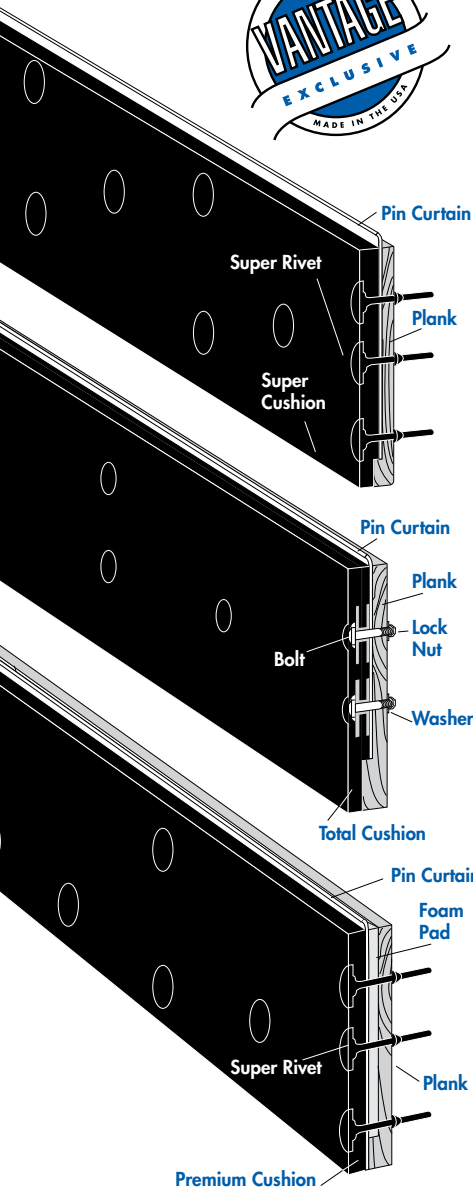


Part #	Description
1	V 000 022 172 Pulley
2	V 000 022 821 Shock Pin
3	V 000 023 673 Pin Elevator Sheave
4	V 000 023 758 Paper Washer, 3/8 I.D. x 7/8 O.D.
5	V 000 024 598 Adjustable Speed Pin Feed Pulley
6	V 000 027 390 Distributor Drive Housing (Original)
7	V 070 002 007 Belt Tightener Pulley Assembly
8	V 070 003 221 Hex HD. Cap Screw, 3/8 - 16 3 - 1/2 LG.
<b>*9</b>	<b>V 090 001 130 Distributor Drive Housing (Wide)</b>
<b>*10</b>	<b>V 090 003 508 Tensioner Assembly</b>
<b>*11</b>	<b>V 090 003 509 Motor Mount Weldment Ass'y</b>
<b>*12</b>	<b>V 090 003 512 Gearbox L.H. 50 Hz Assembly</b>
<b>*13</b>	<b>V 090 003 513 Gearbox R.H. 50 Hz Assembly</b>
<b>*14</b>	<b>V 090 003 514 Gearbox R.H. 60 Hz Assembly</b>
<b>*15</b>	<b>V 090 003 515 Gearbox L.H. 60 Hz Assembly</b>
<b>*16</b>	<b>V 090 003 766 Motor, 60 Hz</b>
<b>*17</b>	<b>V 090 004 120 Stub Shaft (Not Shown)</b>
<b>*18</b>	<b>V 090 004 444 Idler Pulley</b>
<b>*19</b>	<b>V 090 004 501 Gearbox R.H. 60 Hz</b>
<b>*20</b>	<b>V 090 004 502 Gearbox L.H. 60 Hz</b>
<b>*21</b>	<b>V 090 004 506 Gearbox R.H. 50 Hz</b>
<b>*22</b>	<b>V 090 004 507 Gearbox L.H. 50 Hz</b>
<b>*23</b>	<b>V 090 004 517 Back End Motor Drip Pan</b>
<b>*24</b>	<b>V 090 004 519 Spacer</b>
<b>*25</b>	<b>V 090 007 310 Motor, 50 Hz</b>
26	V 700 107 146 Loctite - OBS
27	V 807 358 060 Socket Set Screw, 5/16 - 24 x 3/8 LG.
28	V 809 857 125 Hex HD. Cap Screw, 5/16 - 18 x 3/4 LG.
29	V 809 865 165 Hex HD. Cap Screw, 3/8 - 16 x 1 LG.
30	V 809 865 245 Hex HD. Cap Screw, 3/8 - 16 x 1 - 1/2 LG.
31	V 809 865 325 Hex HD. Cap Screw, 3/8 - 16 x 2 LG.
31	V 809 865 325 Hex HD. Cap Screw, 3/8 - 16 x 2 LG.
32	V 831 565 002 Hex Nut, 3/8 - 16
33	V 835 565 002 Hex Jam Nut, 3/8 - 16
34	V 839 665 002 Flex Loc Nut, 3/8 - 16
35	V 844 057 002 Stover Lock Nut 5/16 - 18
36	V 907 000 300 Key
37	V 907 201 000 Key, Hi-Pro # HP-606
38	V 907 202 600 Key, Square 3/16 x 3/16 x 2 LG.

Part #	Description
39	V 948 767 132 Flat Washer, 13/32 I.D. x 13/16 O.D. x 1/16 THK.
40	V 951 164 002 Split Lock Washer, 3/8
41	V 963 600 002 X-Washer



**Bold faced parts denote new parts.**  
**\*Available starting Fall 2006.**



## IS REACTIVE RESIN BALL DAMAGE A CONCERN?

If so, these High Performance cushion replacements can help. With no protruding rivets to hold balls in the pit, ball exit is the fastest available. **LESS PIT TIME = LESS BALL DAMAGE!**

### Super Cushion

V 222-L Super Cushion Left - Even Machines

V 222-R Super Cushion Right - Odd Machines

The Super Cushion offers the one piece urethane construction of our popular Total Cushion, but utilizes our high strength Super Rivets for attachment to the cushion plank. The molded design of the Super Cushion allows the rivets to be pulled into place flush with the cushion surface, eliminating head wear, pull through and ball marking, while providing easy ball exit.

- Sixteen Super Rivets, Vantage part number V 000 028 519-U.
- No metal inserts or hardware.
- Unique "matte finish" – will not reflect pit lights or impede automatic scoring.

### Total Cushion

V 201-L Total Cushion Left - Even Machines

V 201-R Total Cushion Right - Odd Machines

This popular product, choice of mechanics worldwide, has a new "impact resistant" insert system. We have added a 7 gauge steel washer to the inside of the total cushion that prevents bolt pull through due to repeated ball impact or over tensioning of the lock nut on the back of the cushion plank. Each total cushion is shipped with a bolt pack and instructions for easy installation.

- No rivets for installation or maintenance.
- Impact and oil resistance.
- Easy ball exit from the machine minimizing machine cycle time and ball damage.
- No marking of pins or balls.

### Premium Cushion

V 225 -L Premium Cushion Left - Even Machines

V 225 -R Premium Cushion Right - Odd Machines

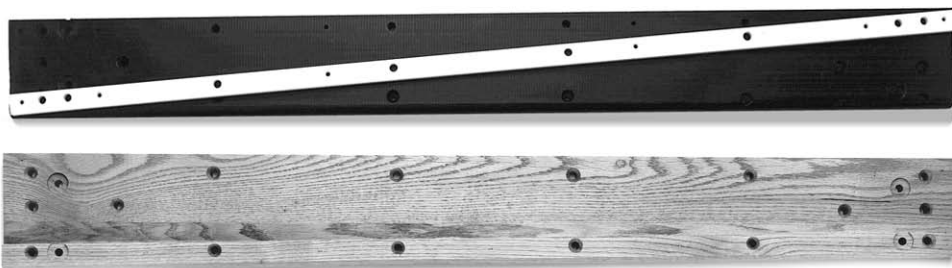
If you have had it with buna pads, cushion facings and rubber rivets, then our Premium Cushion is for you. That's because it replaces these troublesome parts with one piece of molded urethane. It "sandwiches" the pin curtain and foam pad between it and the wood cushion plank and is attached using sixteen Vantage Super Rivets. This combination offers:

- No ball or pin marking, in fact you don't even use a cushionfacing!
- Identical installation to the O.E.M with molded pockets to hold the rivets – not die cut holes.
- Impact and oil resistance far superior to any rubber version available.
- Sixteen Super Rivets, Vantage part number V 000 028 519-U.

## Two Cushion Planks - Only Vantage gives you a choice.

### V 000 024 795-6 Universal Cushion Plank

This product represents a significant improvement over the original wood product because it is made to accommodate both right and left hand machines by changing the way the lower strip is attached to the body of the cushion plank. Manufactured from a material offering greater durability against the impact of balls and pins than does wood, it will not split, fracture, or sliver.

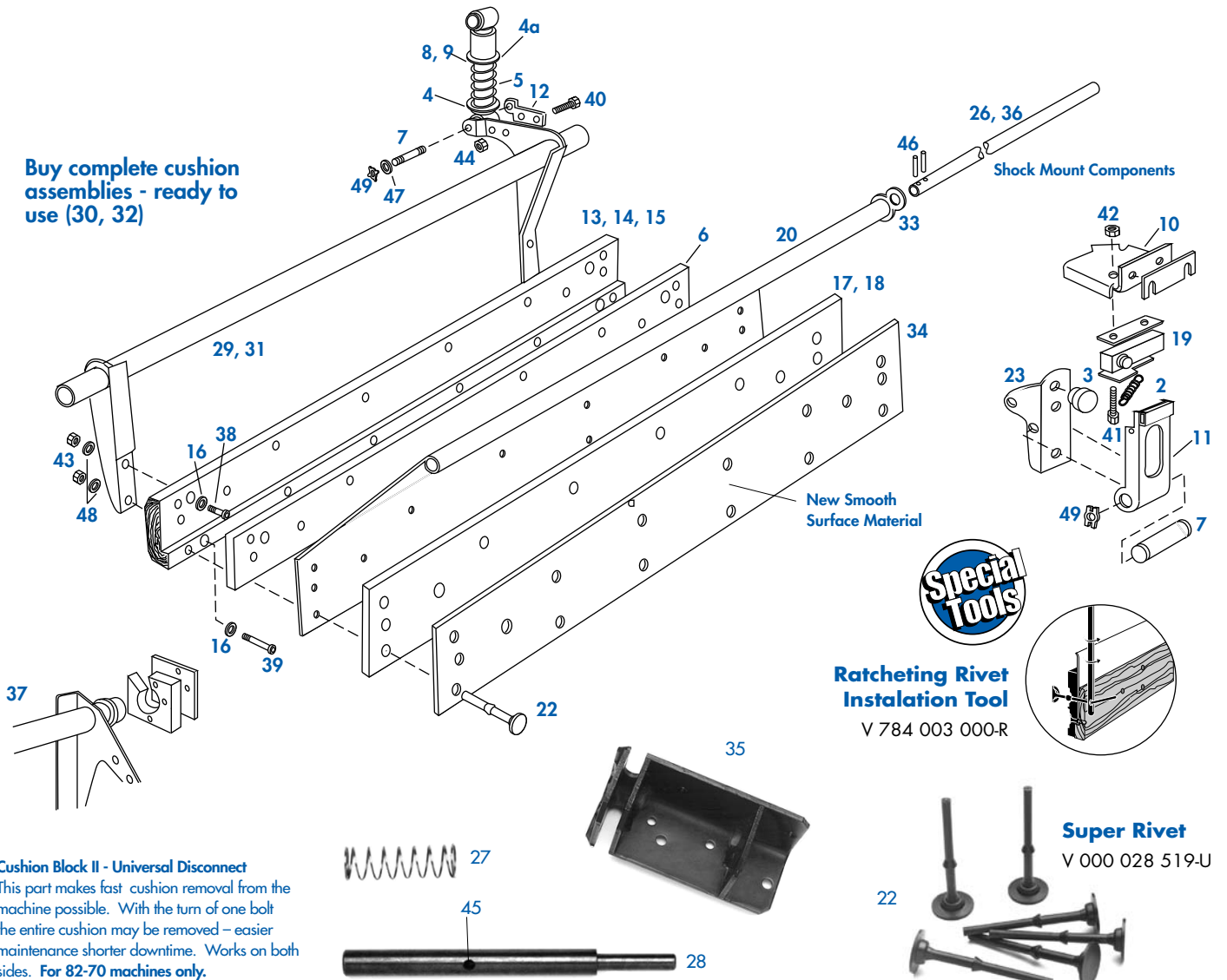


V 000 024 795 Wood Cushion Plank, Left Hand (Even)

V 000 024 796 Wood Cushion Plank, Right Hand (Odd)



Buy complete cushion assemblies - ready to use (30, 32)



**Cushion Block II - Universal Disconnect**  
 This part makes fast cushion removal from the machine possible. With the turn of one bolt the entire cushion may be removed – easier maintenance shorter downtime. Works on both sides. **For 82-70 machines only.**

Part #	Description
2	V 000 021 431 Spring (82-70 machines)
3	<b>V 000 021 992 Bumper</b>
4	V 000 022 286 Collar
4a	V 000 022 287 Washer-Spring Seat (Steel Const.)
5	V 000 022 288 Cushion Spring
6	V 000 022 770 Cushion Sponge
7	V 000 022 821 Pin
8	V 000 022 823 Shock Absorber
9	V 000 022 824 Cushion Shock Assembly
10	V 000 022 828 Bracket
11	V 000 023 621 Switch Lever
12	V 000 024 534 Ear Hanger
13	<b>V 000 024 795 Wood Cushion Plank L.H. (Even)</b>
14	<b>V 000 024 795-6 Universal Cushion Plank</b>
15	<b>V 000 024 796 Wood Cushion Plank R.H. (Odd - shown)</b>
16	V 000 024 801 Plank Washer

Part #	Description
17	<b>V 000 024 807 Cushion R.H. (Odd - shown)</b>
18	<b>V 000 024 808 Cushion L.H. (Even)</b>
19	V 000 026 043 Switch
20	<b>V 000 026 445 Pin Curtain</b>
22	<b>V 000 028 519-U Super Rivet</b>
23	V 000 029 624 Shock Mount Bracket
26	V 030 003 055 82-30 Curtain Rod
27	V 070 001 389 Curtain Latch Spring
28	V 070 001 396 Curtain Latch Pin
29	V 070 002 050 Hanger Weldment R.H. (Odd)
30	V 070 002 060 Cushion Assembly R.H. W/Total Cushion (Odd)
31	V 070 002 252 Hanger Weldment L.H. (Even)
32	V 070 002 260 Cushion Assembly L.H. W/Total Cushion (Even)
33	V 070 005 610 Curtain Hanger
34	<b>V 070 006 761 "Smoothie" Cushion Facing</b>

Part #	Description
35	V 070 007 360 Support Bracket Weldment
36	V 070 011 288 Curtain Rod
37	<b>V 203 Cushion Block II Universal Disconnect</b>
38	V 808 865 320 Flat Head Socket Screw
39	V 808 865 400 Flat Head Socket Screw
40	V 809 857 125 Hex Head Cap Screw
41	V 818 227 202 Round Head Sems Screw
42	V 839 527 002 Flexloc Nut
43	V 839 665 002 Flexloc Nut
44	V 844 057 002 Stover Lock Nut
45	V 913 431 160 Roll Pin
46	V 913 437 240 Roll Pin
47	V 948 975 172 Washer
48	V 951 164 002 Lock Washer
49	V 963 600 002 X-Washer



# Carpet Belts

Vantage offers three carpets to meet the demands of all types of bowling:



### V 000 026 753-S Supreme Carpet Belt

Our newest design in Carpets taking the attributes of the premium carpet and improving upon them to make it more consistent and longer lasting.

Its unique construction:

- Will not unravel or fray.
- Offers a heavy belt body that tracks perfectly under extreme machine stress.
- Offers excellent resistance to all lane oil brands extending belt life.

### Four Year Warranty



### V 000 026 753-M Mandrel Carpet Belt

Many mechanics prefer the "old original".

A plied rubber/nylon belt built on steel mandrels and cured to dimension. This one's for them! Heavy, durable construction provides years of trouble free service.

### Two Year Warranty



### V 000 026 753 Super Soft Carpet Belt

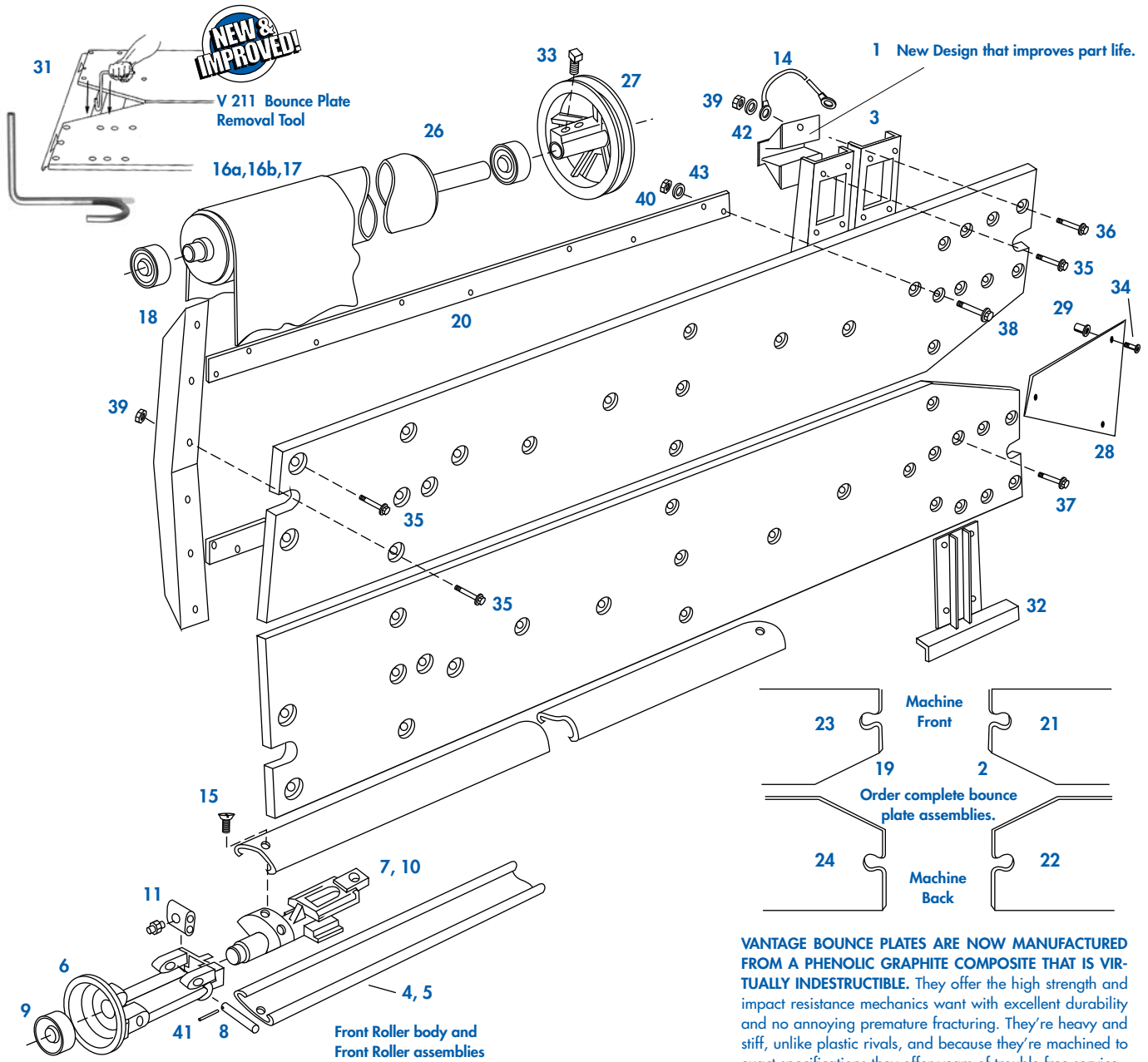
This is the original interwoven carpet belt - why buy a copy when you can OWN the original?

Its durable construction provides long service life and an attractive price. It offers:

- No stretching, its interwoven body takes the pounding and abuse of daily play without stretch.
- The most proven seam of its kind in the industry.
- Special heat - set edges prevent unraveling.
- Total resistance to all types of lane oil.
- Easy cleaning with machine cleaners or carpet belt brushes.

### One Year Warranty





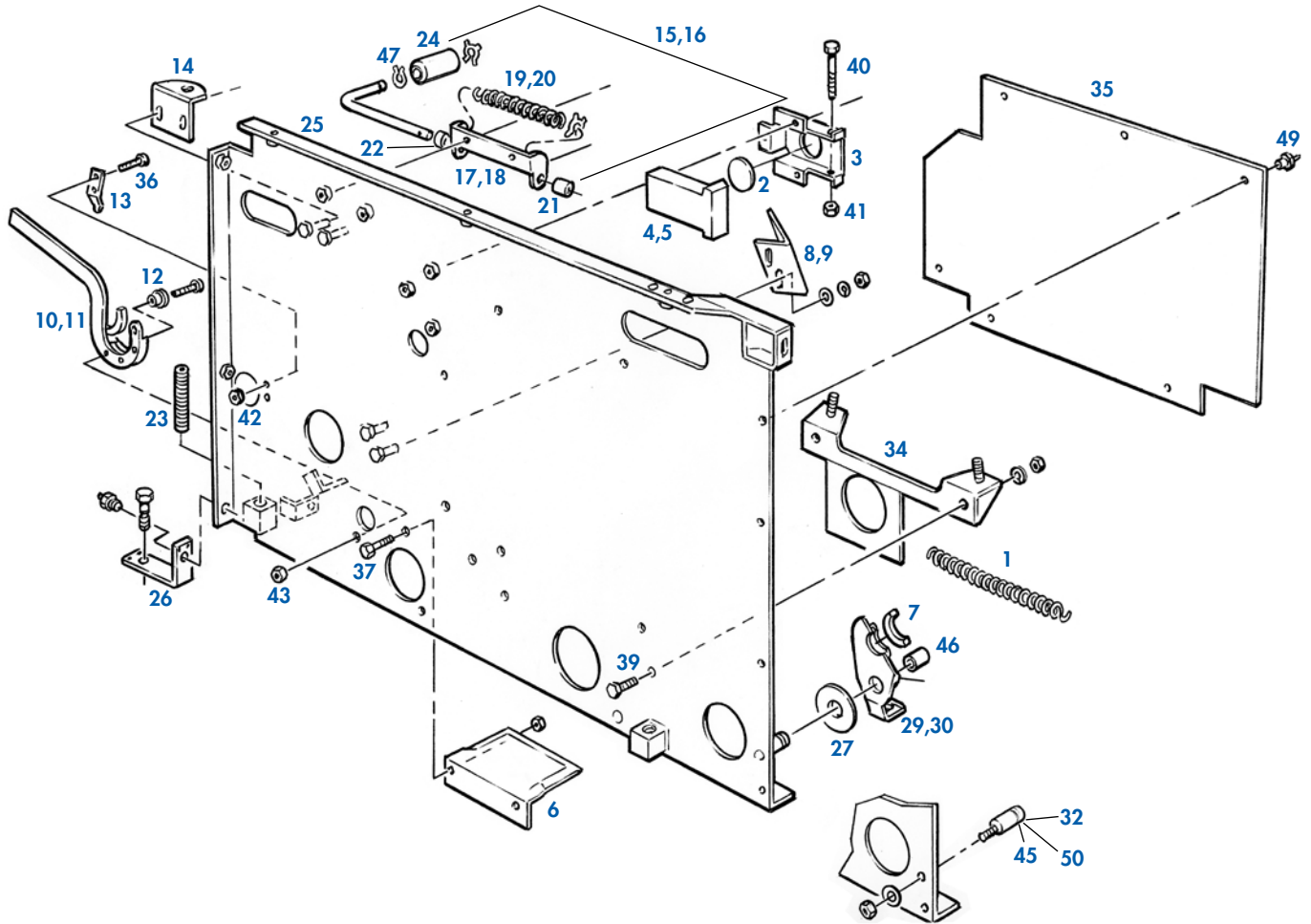
**VANTAGE BOUNCE PLATES ARE NOW MANUFACTURED FROM A PHENOLIC GRAPHITE COMPOSITE THAT IS VIRTUALLY INDESTRUCTIBLE.** They offer the high strength and impact resistance mechanics want with excellent durability and no annoying premature fracturing. They're heavy and stiff, unlike plastic rivals, and because they're machined to exact specifications they offer years of trouble free service.

Part #	Description	Part #	Description	Part #	Description
<b>1</b>	<b>V 000 021 224</b> Vibration Dampener	16a	V 000 026 753 Super Soft Carpet Belt	<b>31</b>	<b>V 211</b> Bounce Plate Removal Tool
2	V 000 021 420 Bounce Plate Assy. R.H. (Odd)	16b	V 000 026 753-M Mandrel Carpet Belt	32	V 610 704 014 Kit Ball Idling Bracket
3	V 000 021 914 Channel	<b>17</b>	<b>V 000 026 753-S</b> Supreme Carpet Belt	33	V 806 265 160 Square Head Set Screw
4	V 000 024 576 Front Roller Assembly	18	V 000 029 626 Angle Support	34	V 808 849 160 Flat Head Socket Screw
5	V 000 024 578 Roller Body	19	V 000 029 656 Bounce Plate Assy. L.H. (Even)	35	V 809 849 165 Hex Head Cap Screw
6	V 000 024 579 Hinge Roller	20	V 000 029 898 Reinforcement Bar	36	V 809 849 205 Hex Head Cap Screw
7	V 000 024 580 Shaft-Hinge	21	V 000 029 899 Bounce Plate Front R.H. (Odd)	37	V 809 849 325 Hex Head Cap Screw
8	V 000 024 582 Pin	22	V 000 029 924 Bounce Plate Rear R.H. (Odd)	38	V 809 857 205 Hex Head Cap Screw
9	V 000 024 590 Bearing	23	V 000 029 925 Bounce Plate Front L.H. (Even)	39	V 844 049 002 Stover Lock Nut
10	V 000 024 592 Hinge Assembly	24	V 000 029 926 Bounce Plate Rear L.H. (Even)	40	V 844 057 002 Stover Lock Nut
11	V 000 024 597 Oilite Bronze Link	26	V 070 002 034 Rear Roller Assembly	41	V 913 411 100 Roll Pin
14	V 000 025 622 Bonding Strap	27	V 070 002 097 Carpet Pulley	42	V 948 753 102 Washer
15	V 000 025 662 Nyloc Screw	28	V 070 007 846 Filler Plate Kit	43	V 948 761 112 Washer
		29	V 070 007 847 Rubber Fastener		

**Bold faced parts denote a Vantage value added engineering improvement - contact your distributor for details.**



# Kickback Assembly



**Part # Description**

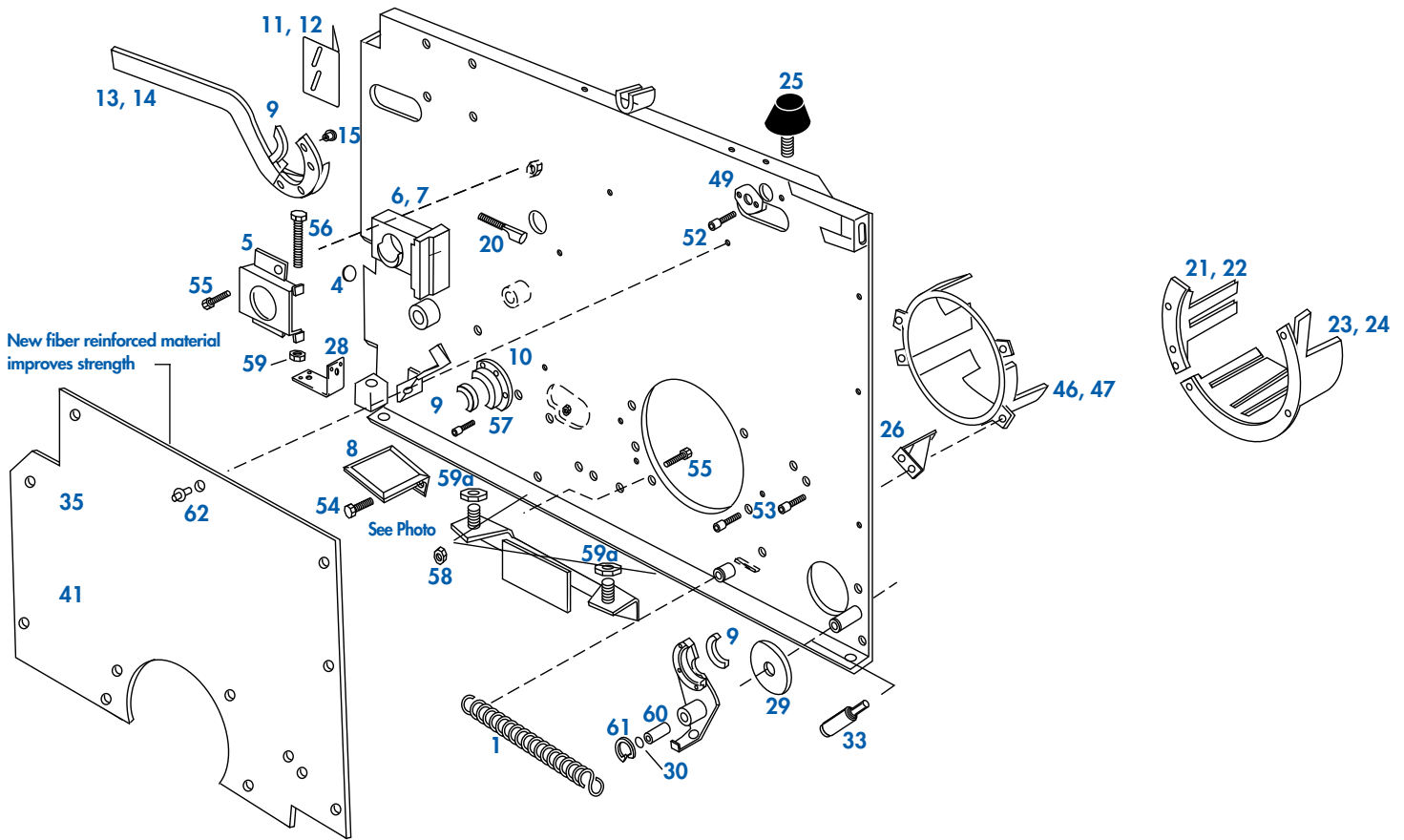
1	V 000 021 204 Spring
2	V 000 022 300 Shield
3	V 000 022 788 Box-Support
4	V 000 022 794 Block Support RH
5	V 000 022 795 Block Support LH
6	V 000 022 878 Angle
7	V 000 022 924 Support-Bearing
8	V 000 023 431 Clip Bottom RH
9	V 000 023 432 Clip Bottom LH
10	V 000 023 464 Support Wldmnt- RH mach LH Side
11	V 000 023 465 Support Wldmnt- LH mach RH Side
12	V 000 023 467 Bearing FL .314 x .434 x .310
13	V 000 023 468 Bracket
14	V 000 023 821 Side Clip Weld
15	V 000 024 507 Pin Eject Assembly LH
16	V 000 024 508 Pin Eject Assembly RH
17	V 000 024 510 Brkt Assembly-LH
18	V 000 024 511 Brkt Assembly-RH

**Part # Description**

19	V 000 024 512 Spring-LH
20	V 000 024 513 Spring-RH
21	V 000 024 515 Bearing SL .44 x .56 x 3/4
22	V 000 024 516 Bearing SL .44 x .56 x 3/8
23	V 000 024 890 Jackscrew
24	V 000 025 803 Roller-Pin Ejec Assembly
25	V 000 025 804 Shaft-Pin Ejec Assembly
26	V 000 026 464 Bracket-Back End
27	V 000 027 641 Bearing TH .752 x 2.75 x .062
28	V 000 027 642 Washer (Not Shown)
29	V 000 027 645 Brkt.Supt.Assembly LH
30	V 000 027 646 Brkt.Supt.Assembly RH
31	V 000 028 334 Pin Ejector Washer (Not Shown)
32	V 000 029 015 Stud-Pivot
33	V 000 029 317 Stop-Pin (Not Shown)
34	V 070 001 451 Pit Supt Brkt-OBDS
35	V 070 002 027 Panel
36	V 809 849 125 Screw-Hex 1/4-20 x 3/4
37	V 809 857 125 Screw-Hex 5/16-18 x 3/4

**Part # Description**

38	V 809 857 165 Screw-Hex 5/16-18 x 1 (Not Shown)
39	V 809 865 165 Screw-Hex 3/8-16 x 1
40	V 809 865 645 Screw-Hex 3/8-16 x 4
41	V 839 665 002 Nut-Flx 3/8-16
42	V 844 049 002 1/4-20 Lock Nut
43	V 844 057 002 5/16-18 Stover Locknut
44	V 844 058 002 5/16 x 24 Stover Locknut (Not Shown)
45	V 844 074 002 Nut-Stvr-Lk 1/2-20
46	V 900 112 203 Bearing SL .753 x 1 x 1 1/4
47	V 919 005 400 Ring-Ret. 5100-43
48	V 919 005 800 Ring-Ret. 5100-75 (Not Shown)
49	V 937 000 000 Rvt-Drve Alum Unv Hd
50	V 941 072 200 Washer-1/2 x 1 1/2 x .083
51	V 948 767 132 Washer 13/32 x 13/16 x 1/16 (Not Shown)
52	V 951 164 002 Washer-Lk-Split 3/8 (Not Shown)
53	V 963 600 002 Washer-X 1/4 9000-16



Part #	Description
--------	-------------

1	V 000 021 204 Spring
4	V 000 022 300 Shield
5	V 000 022 788 Box
6	<b>V 000 022 794 Urethane Cushion Block R.H.</b>
7	<b>V 000 022 795 Urethane Cushion Block L.H.</b>
8	V 000 022 878 Angle
9	<b>V 000 022 924 Bearing Support</b>
10	V 000 022 926 Bearing Retainer
11	V 000 023 431 Clip Bottom R.H. (Even)
12	V 000 023 432 Clip Bottom L.H. (Odd)
13	V 000 023 464 Support Weldment L.H. (Odd)
14	V 000 023 465 Support Weldment R.H. (Even)
15	V 000 023 467 Flange Bushing
16	V 000 024 507 Pin Ejector Assembly L.H. (Even)
17	V 000 024 508 Pin Ejector Assembly R.H. (Odd)
18	V 000 024 512 Spring L.H. (Even)
19	V 000 024 513 Spring R.H. (Odd)

Part #	Description
--------	-------------

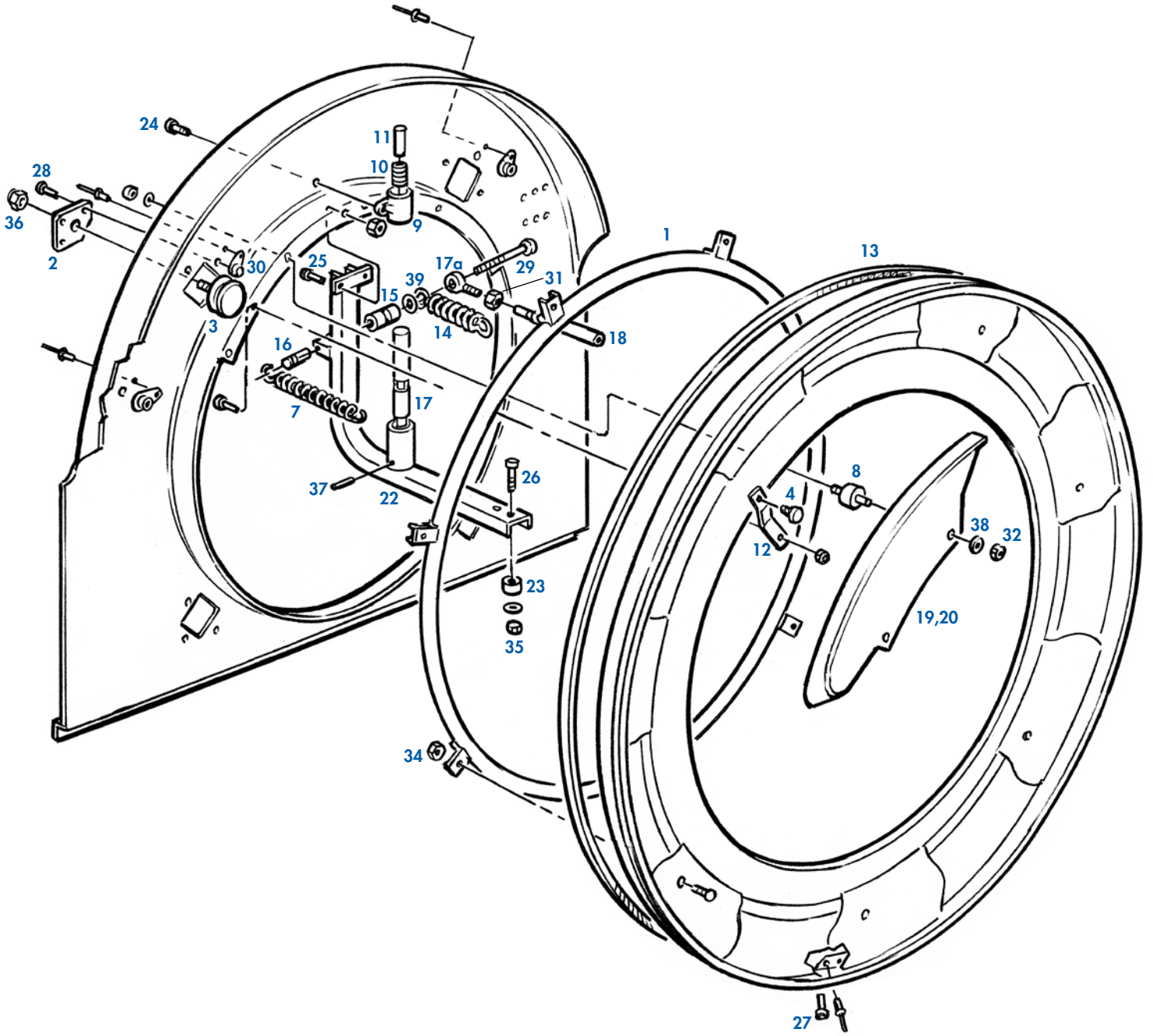
20	V 000 024 610 Clamp Stud
21	<b>V 000 024 623 Rear Segment L.H. (Even)</b>
22	<b>V 000 024 624 Rear Segment R.H. (Odd)</b>
23	<b>V 000 024 625 Front Segment R.H. (Odd)</b>
24	<b>V 000 024 626 Front Segment L.H. (Even)</b>
25	V 000 024 641 Stop Bumper
26	V 000 024 668 Track Support Bracket Weldment
27	V 000 025 803 Pin Ejector Roller Assembly
28	V 000 026 464 Bracket
29	V 000 027 641 Thrust Washer
30	V 000 027 642 Washer
33	V 000 029 015 Pivot Stud
35	V 000 029 640 Kickback Panel for 82-30 or 82-70
41	V 070 002 027 Kickback Panel Common (70)
46	V 070 011 005 Door Weldment L.H. (Even)
47	V 070 011 006 Door Weldment R.H. (Odd)
48	V 070 011 035 Strap (Not Shown)

Part #	Description
--------	-------------

49	V 070 011 286 Curtain Rod Bushing
52	V 808 549 160 Button Head Socket Screw
53	V 808 857 120 Flat Head Socket Screw
54	V 809 857 125 Hex Head Cap Screw
55	V 809 865 205 Hex Head Cap Screw
56	V 809 865 645 Hex Head Cap Screw
57	V 810 258 100 Socket Head Cap Screw
58	V 839 665 002 Flexloc Nut
59	V 840 065 002 Thin Flexloc Nut
59a	V 844 058 002 Stover Lock Nut
60	V 900 112 203 Sleeve Bushing
61	V 919 005 800 Retaining Ring
62	V 937 000 000 Drive Rivet

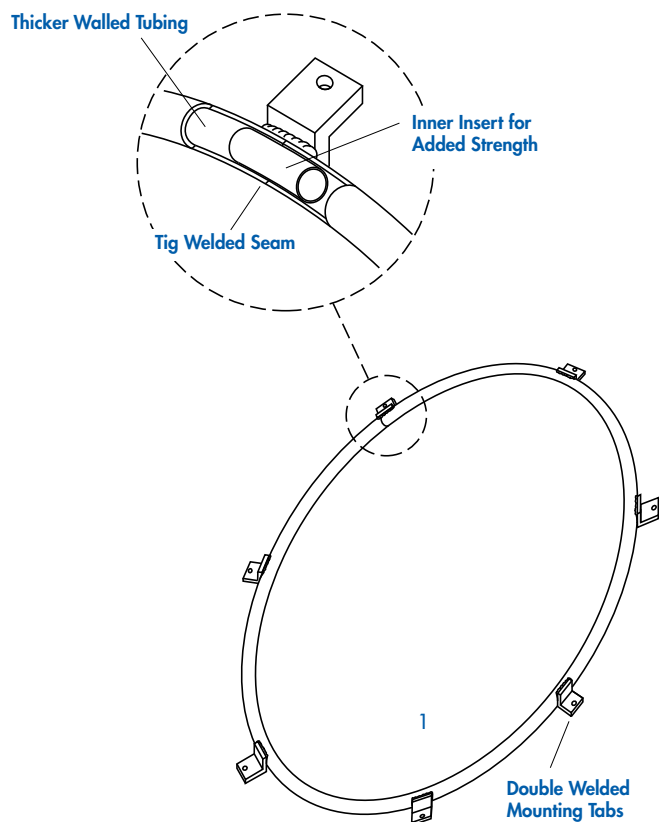


# Pin Elevator & Pit Supports





## Reinforced Joint Construction

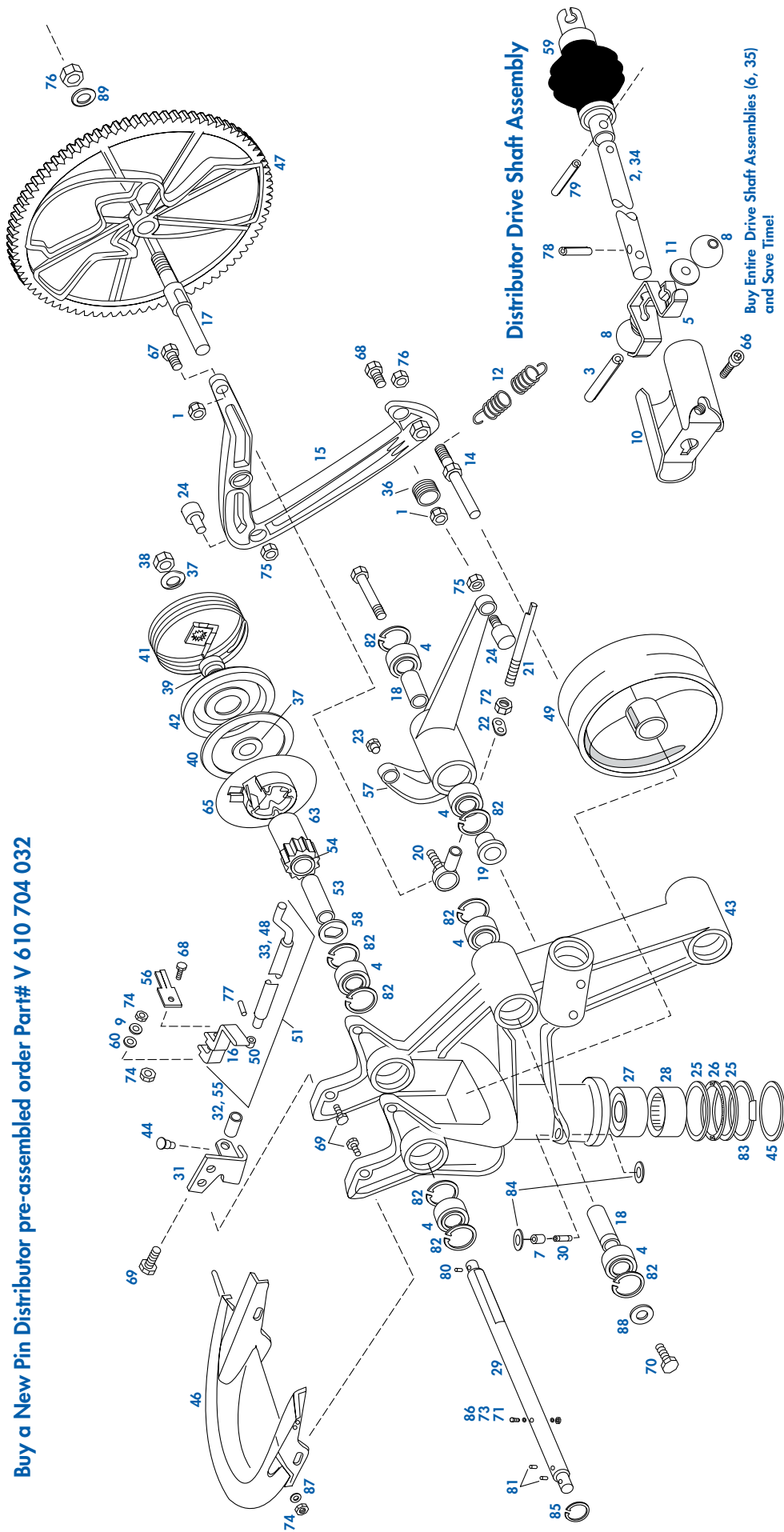


Part #	Description	Part #	Description	Part #	Description
1	V 000 020 855 Ring Weldment	13	V 070 002 005 Belt-Drive Pin Elevt	27	V 809 858 085 Screw-Hex 5/16-24 x 1/2
2	V 000 021 210 Plate-Roller	14	V 070 006 030 Spring-Safety Link	28	V 809 858 125 Screw-Hex 5/16-24 x 3/4
3	V 000 021 211 Roller Bearing	15	V 070 006 043 Spacer-Clamp	29	V 809 865 725 Screw-Hex 3/8-16 x 4 1/2
3a	V 000 021 211-S Roller Bearing (Nylon)	16	V 070 006 044 Nut-Spring Post	30	V 830 358 002 Nut-AN 5/16-24 CD
4	V 000 021 992 Bumper-Grommet #2250	17	V 070 006 045 Post-Dist.Supt.Assembly	31	V 831 566 002 Nut-Hex 3/8-24
5	V 000 022 219 Pin Elev Guard Assembly (Not Shown)	17a	V 070 006 046 Rod End Distributor Support	32	V 834 557 002 Nut Hex 5/16-18
6	V 000 022 222 Brkt-Mtg-Pin Elev Grd (Not Shown)	18	V 070 006 047 Tube-Safety Link	33	V 843 139 002 Nut-Kep 10-24 (Not Shown)
7	V 000 026 032 Spring	19	V 070 006 098 Rail-RH Mach.Bk.End	34	V 844 049 002 1/4-20 Lock Nut
8	V 000 029 068 Rubber Mount	20	V 070 006 099 Rail-LH Mach.Bk.End	35	V 844 057 002 5/16-18 Stover Locknut
9	V 000 029 201 Oiler Body	21	V 070 006 143 Spacer (Not Shown)	36	V 844 074 002 Nut-Stvr-Lk 1/2-20
10	V 000 029 202 Spring Wick	22	V 070 007 357 Chanel Suprt Weld	37	V 913 437 280 Pin-Spring .187 x 1 3/4
11	V 000 029 203 Wick Pin	23	V 070 008 449 Spacer-Dist. Support	38	V 948 761 112 5/16 Wrought Washer
12	V 070 001 415 Bracket-Wheel	24	V 809 849 125 Screw-Hex 1/4-20 x 3/4	39	V 948 767 132 Washer, 13/32 x 13/16 x 1/16
		25	V 809 857 165 Screw-Hex 5/16-18 x 1		
		26	V 809 857 405 Screw-Hex 5/16-18 x 2 1/2		



# 82-70 Distributor Assembly (Part 1)

Buy a New Pin Distributor pre-assembled order Part# V 610 704 032

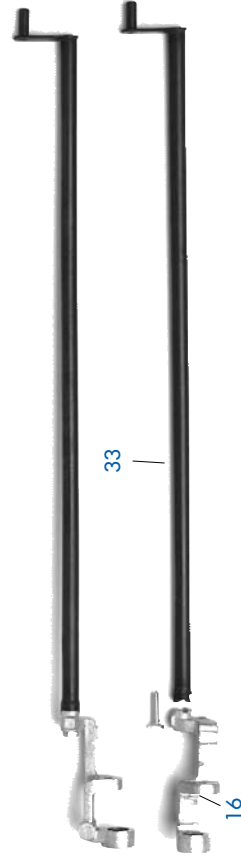


Buy Entire Drive Shaft Assemblies (6, 35) and Save Time!

## Original Style Trip Support System Still the Best!

52

If roll pin failure on trip stop rods is causing you pin jams, try the original style. Special "keyed" design locks the trip support casting and rod together.



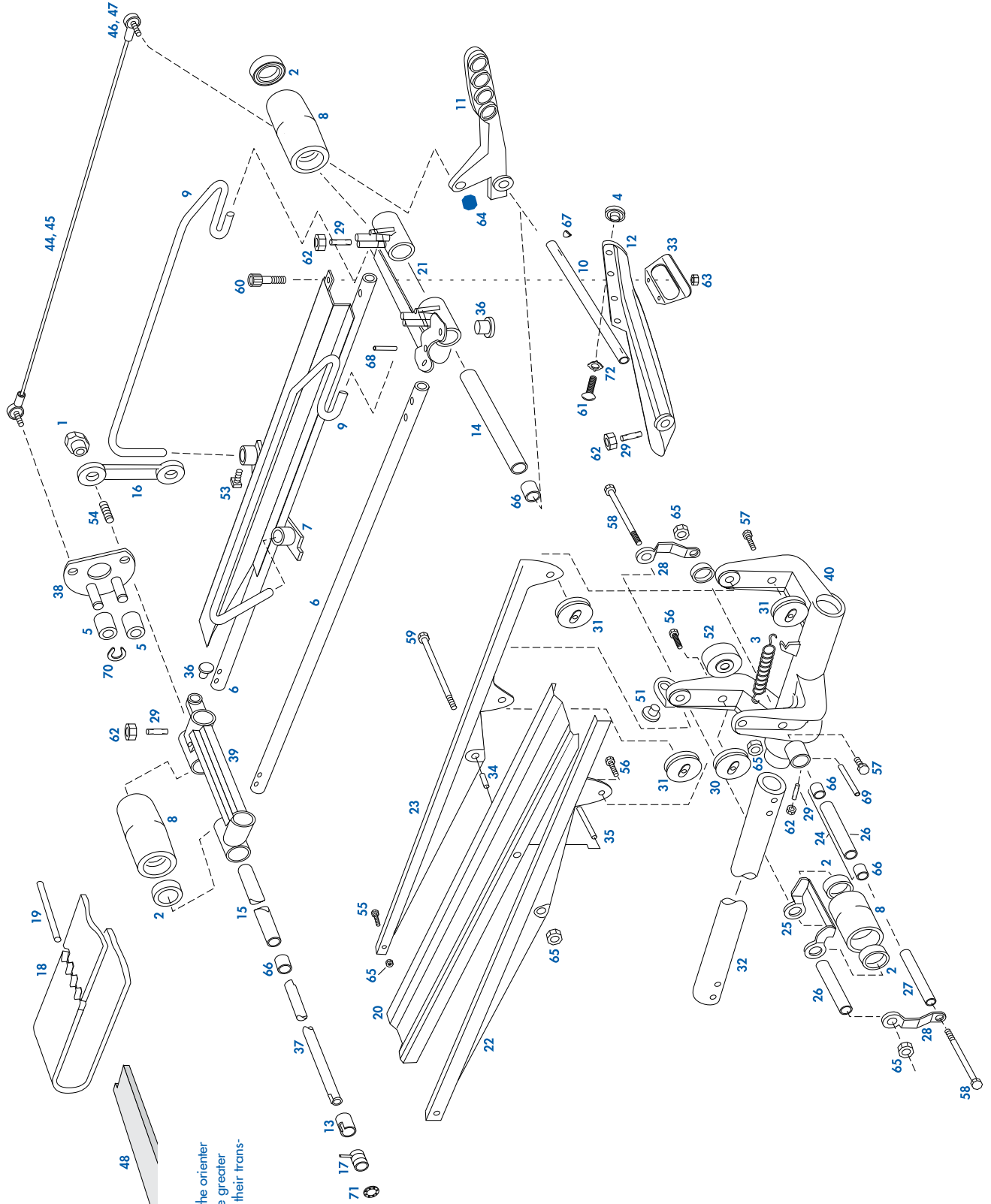
V 610 704 005-6 82-70 Pin Distributor Tune Up Kit (64), improves distributor indexing!



Part #	Description	Part #	Description	Part #	Description
1	V 000 022 173 Special Nut	24	V 070 006 071 Cam Follower	47	V 070 006 149 Distributor Indexing Cam
2	V 000 022 369 Shaft L.H. (Even) Machine	25	V 070 006 073 Thrust Washer	48	V 070 006 663 Trip Stop Rod
3	V 000 022 717 Pin	26	V 070 006 074 Needle Thrust Bearing	49	V 070 006 666 Pulley
4	V 000 024 679 Bearing	27	V 070 006 075 Needle Bearing Closed End	<b>50</b>	<b>V 070 006 667 Trip Support Casting</b>
5	V 000 024 892 Ball Bearing Retainer	28	V 070 006 076 Open End Bearing	51	V 070 006 668 Trip Stop Rod & Support Casting Assy.
6	V 000 024 893 Dist. Drive Shaft Assembly L.H. (Even)	29	V 070 006 077 Shaft Drive Distributor	<b>52</b>	<b>V 070 006 668-OS Original Style Trip Stop Rod &amp; Support Assy.</b>
7	V 000 026 081 Spring Post Sleeve	30	V 070 006 082 Pin Spring Post	53	V 070 006 676 Pinion Sleeve
8	V 000 026 461 Ball Bearing	31	V 070 006 084 Trip Stop Support Bracket	54	V 070 006 679 Bushing Pinion
9	V 000 026 865 Washer	32	V 070 006 087 Pivot 31/32 Long	55	V 070 006 685 Pivot 19/32 Long
10	V 000 027 390 Housing Weldment	<b>33</b>	<b>V 070 006 091 Original Style Trip Stop Rod</b>	56	V 070 006 691 Stop Blade
11	V 000 029 073 Washer	34	V 070 006 101 Shaft R.H. (Odd) Machine	<b>57</b>	<b>V 070 007 119 Drive Arm Assembly</b>
12	V 070 006 034 Spring	35	V 070 006 102 Dist. Drive Shaft Assembly R.H. (Odd)	58	V 070 007 376 Thrust Washer
14	V 070 006 049 Shaft Arm	36	V 070 006 111 Spring Post Sleeve	<b>59</b>	<b>V 070 007 586 Distributor Universal Joint</b>
<b>15</b>	<b>V 070 006 051 Arm</b>	37	V 070 006 121 Washer	60	V 070 007 651 Nylon Washer
<b>16</b>	<b>V 070 006 060 Original Style Trip Support</b>	38	V 070 006 124 Nut Special	<b>61</b>	<b>V 610 704 004 The Super Clutch</b>
17	V 070 006 061 Shaft Cam Support	39	V 070 006 125 Distributor Worm Gear	<b>62</b>	<b>V 610 704 004-NS Super Clutch without Shaft</b>
18	V 070 006 064 Spacer Bearing	40	V 070 006 126 Friction Disc	63	V 610 704 005 Pinion & Sleeve
19	V 070 006 065 Clamp Race	41	V 070 006 128 Spring Assembly	<b>64</b>	<b>V 610 704 005-6 82-70 Pin Distributor Tune Up Kit</b>
20	V 070 006 066 Rod End Female	42	V 070 006 130 Clutch Plate Drive	65	V 610 704 006 Clutch Plate
21	V 070 006 067 Rod Safety Link Distributor	43	V 070 006 136 Main Casting and Bearing Assy	66	V 807 358 060 Socket Head Set Screw
22	V 070 006 068 Support Spring Distributor	<b>44</b>	<b>V 070 006 142 Bumper</b>	67	V 809 849 100 Flat Head Cap Screw
23	V 070 006 069 Nut Special	45	V 070 006 143 Spacer	68	V 809 849 125 Hex Head Cap Screw
		46	V 070 006 144 Orienter Pan Assembly		
				69	V 809 849 205 Hex Head Cap Screw
				70	V 809 857 080 Hex Head Cap Screw
				71	V 810 239 240 Socket Head Cap Screw
				72	V 831 566 002 Hex Nut
				73	V 840 039 002 Flexloc Nut
				74	V 844 049 002 Stover Lock Nut
				75	V 844 050 002 Stover Lock Nut
				76	V 844 073 002 Stover Lock Nut
				77	V 913 415 090 Roll Pin
				78	V 913 423 120 Roll Pin
				79	V 913 437 120 Roll Pin
				80	V 913 437 140 Roll Pin
				81	V 914 037 206 Roll Pin
				82	V 919 000 600 Retaining Ring
				83	V 919 004 200 Retaining Ring
				84	V 919 005 300 Retaining Ring
				85	V 919 005 600 Retaining Ring
				86	V 948 745 082 Washer
				87	V 948 753 102 Washer
				88	V 948 761 112 Washer
				89	V 948 975 172 Washer

**Bold faced parts denote a Vantage value added engineering improvement - contact your distributor for details.**

Buy a New Carriage Assembly pre-assembled order Part # V 610 704 030



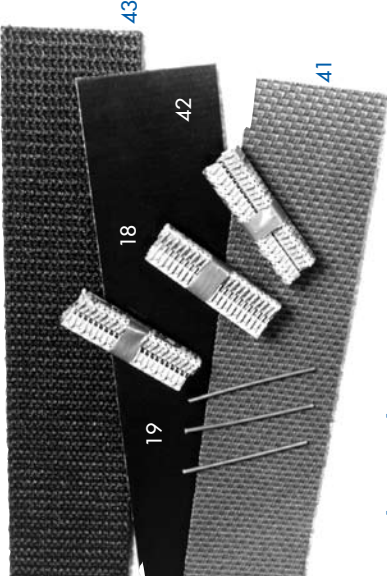
**V 205**

**Belt Riser (48)**

The belt riser fits at the base of the orienter pan and "lifts" the belt to make greater contact with pins and improve their transfer down the distributor.

Part #	Description	Part #	Description
1	V 000 022 173 Special Nut	37	V 070 006 659 Shaft
2	V 000 024 679 Bearing	38	V 070 006 661 Trip Rocker Arm Weldment
3	V 000 026 031 Spring	<b>39</b>	<b>V 070 006 672 Rear Carriage</b>
4	V 000 026 251 Bearing	40	V 070 006 688 Carriage Support Casting Assy
5	V 070 001 857 Roller	<b>41</b>	<b>V 070 006 757 High Grip Dist. Belt</b>
6	V 070 006 004 Tube	<b>42</b>	<b>V 070 006 757-C Standard Dist. Belt</b>
7	V 070 006 009 Belt Runner Support Assembly	<b>43</b>	<b>V 070 006 757-R Rough Top Dist. Belt</b>
8	V 070 006 011 Pulley Assembly	<b>44</b>	<b>V 070 011 170 Trip Rod Assembly</b>
9	V 070 006 013 Pin Guide	45	V 070 011 170-C Trip Cable Assembly
10	V 070 006 014 Shaft	46	V 070 011 172 Ball Joint 7/16"
<b>11</b>	<b>V 070 006 015 Trip Arm Assembly R.H. (10 pin)</b>	47	V 070 011 173 Ball Joint 9/16"
<b>12</b>	<b>V 070 006 016 Trip Arm Assembly L.H. (7 pin)</b>	<b>48</b>	<b>V 205 Belt Riser</b>
13	V 070 006 019 Collar	51	V 701 710 098 Spyralign Bearing
14	V 070 006 021 Tube Assembly Front	<b>52</b>	<b>V 701 849 124 Threaded Bore Concentric Bearing</b>
15	V 070 006 022 Tube Assembly Middle	53	V 806 249 060 Square Head Set Screw
16	V 070 006 029 Connecting Link	54	V 807 249 160 Socket Head Set Screw
17	V 070 006 035 Spring	55	V 808 549 200 Button Head Socket Screw
18	V 070 006 036 Belt Lacing	56	V 809 849 125 Hex Head Cap Screw
19	V 070 006 037 Belt Pin	57	V 809 849 162 Hex Head Cap Screw
20	V 070 006 042 Belt Runner Rear	58	V 809 849 604 Hex Head Cap Screw
<b>21</b>	<b>V 070 006 055 Front Carriage</b>	59	V 809 849 885 Hex Head Cap Screw
22	V 070 006 103 Support Guide L.H. (7 pin)	60	V 810 239 160 Socket Head Cap Screw
23	V 070 006 104 Support Guide R.H. (10 pin)	61	V 813 540 082 Phillips Head Truss Screw
24	V 070 006 105 Tube Assembly	62	V 834 549 002 Hex Nut
25	V 070 006 106 Tracking Bracket	63	V 840 039 002 Flexloc Nut
26	V 070 006 107 Tube-Belt Tightener	64	V 840 040 002 Flexloc Nut
27	V 070 006 108 Spacer-Roller Assembly	65	V 844 049 002 Slover Lock Nut
28	V 070 006 109 Link	66	V 900 106 081 Sleeve Bushing
29	V 070 006 116 Clamp Stud	67	V 907 000 100 Key
<b>30</b>	<b>V 070 006 117 Concentric Bearing</b>	68	V 913 437 140 Roll Pin
<b>31</b>	<b>V 070 006 118 Eccentric Bearing</b>	69	V 913 464 280 Roll Pin
32	V 070 006 120 Carriage Support Tube	70	V 919 005 000 Retaining Ring
33	V 070 006 137 Belt Guard	71	V 919 006 800 Retaining Ring
34	V 070 006 139 Inner Spacer	72	V 957 100 002 Star Washer
35	V 070 006 140 Outer Spacer		
<b>36</b>	<b>V 070 006 142 Bumper</b>		

**Bold faced parts denote a Vantage value added engineering improvement - contact your distributor for details.**



### Distributor Belts

**V 070 006 757 High Grip Dist. Belt (41)**

High grip design offers a "sticky" surface that grabs and moves pins NOW!

**V 070 006 757-R Rough Top Dist. Belt (43)**

Rough top design features an aggressive tread (shown) for a high friction surface.

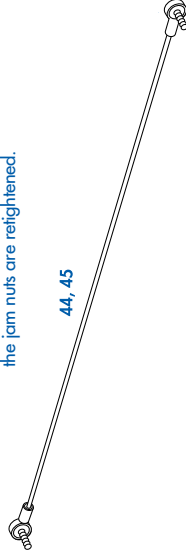
**V 070 006 757-C Standard Dist. Belt (42)**

Standard, durable construction.

Lower cost. Each comes packed in roll form with clippers and pins.

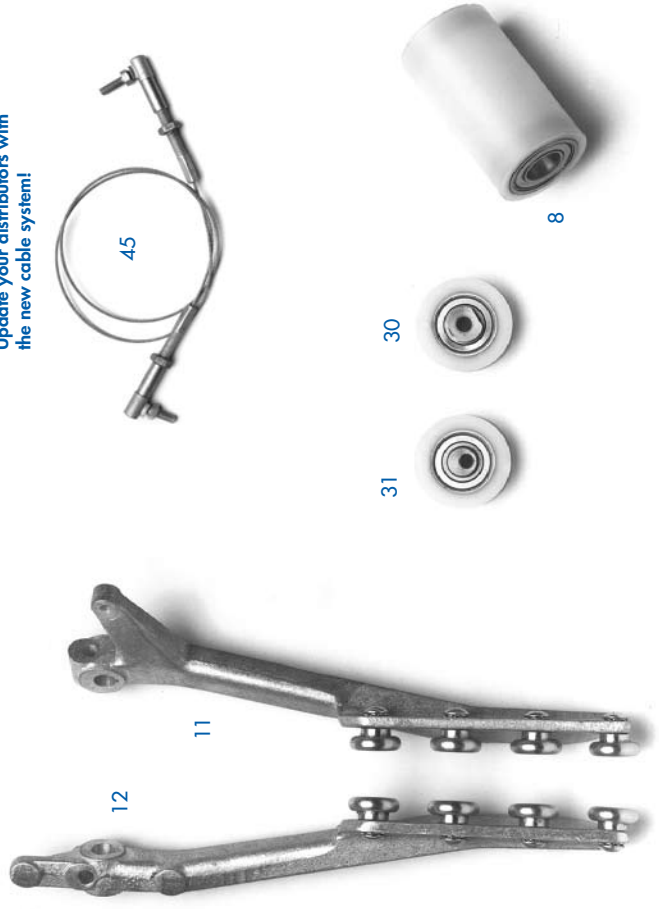
### V 070 011 170 Trip Rod Assembly (44)

The Vantage trip rod assembly employs the use of a rod that has been threaded with right hand threads on one end and left hand threads on the opposite end. This feature enables mechanics to adjust the trip rod while it is on the machine simply by loosening the jam nuts and turning the rod. When the adjustment is completed, the jam nuts are retightened.



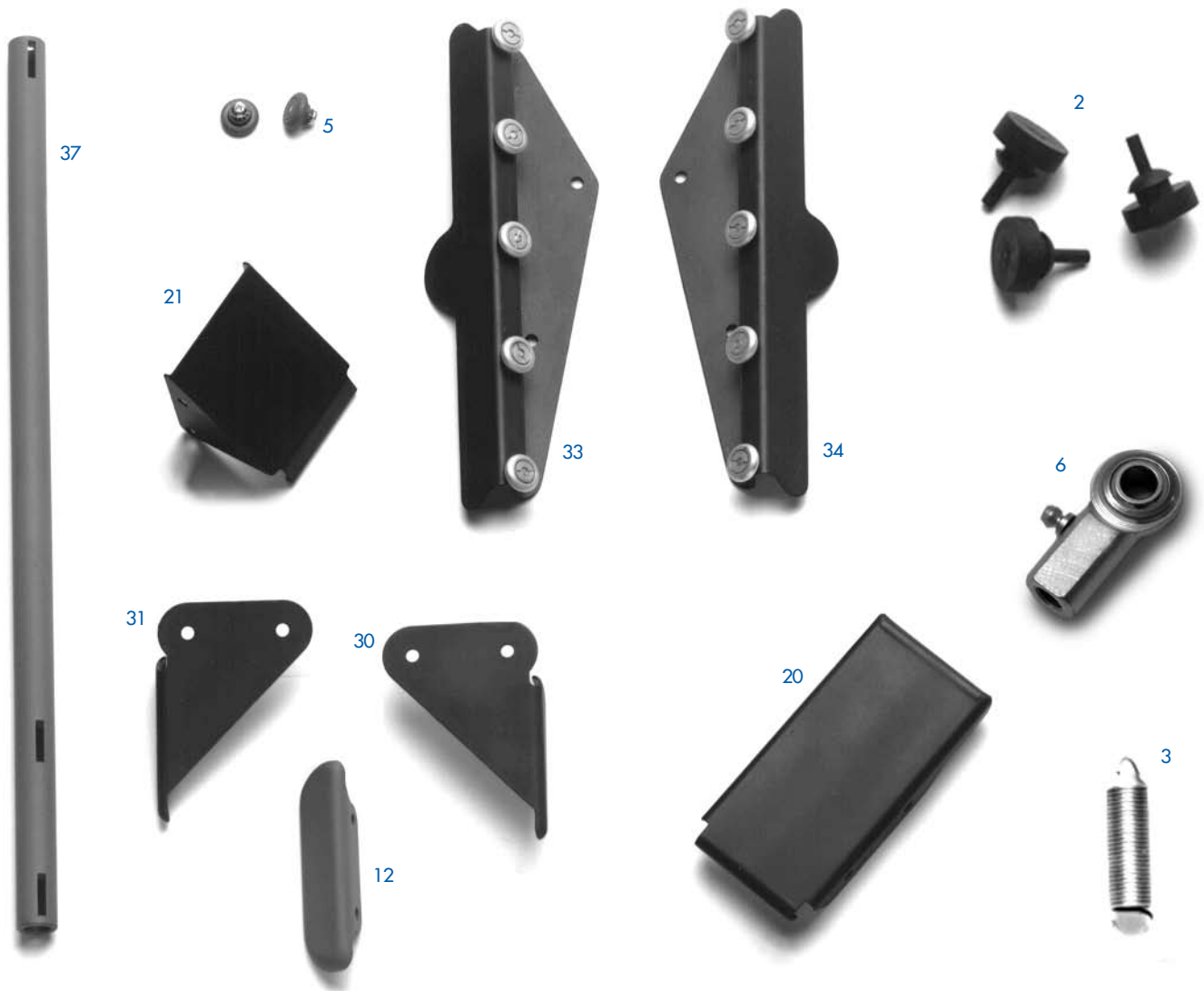
44, 45

Update your distributors with the new cable system!





# Vantage Offers All Components Required for Bin Assembly Maintenance



Part #	Description
1	V 000 021 575 Insulator
<b>2</b>	<b>V 000 021 992 Bumper</b>
3	V 000 022 168 Spring
4	V 000 026 043 Switch
5	V 000 026 251 Bearing
6	V 000 026 446 Rod End
7	V 000 029 614 Uniball
8	V 070 006 108 Spacer
<b>9</b>	<b>V 070 006 142 Bumper</b>
10	V 070 006 272 Bin Switch Cable
11	V 070 006 351 Rod
12	V 070 006 353 Pin Guide

Part #	Description
<b>13</b>	<b>V 070 006 354 Shock Mount Bin Assembly</b>
15	V 070 006 356 Switch Actuator
16	V 070 006 358 Bracket Assembly
17	V 070 006 359 Pin Head Bracket
18	V 070 006 361 Channel Weldment
19	V 070 006 363 Channel Short
20	V 070 006 364 Spacer Pin Butt Guide
21	V 070 006 365 Spacer Pin Guide
22	V 070 006 366 Spacer Pin Head Guide
23	V 070 006 369 Pin Guide R.H. (10 pin)
24	V 070 006 370 Pin Guide L.H. (7 pin)
25	V 070 006 371 Bracket Support

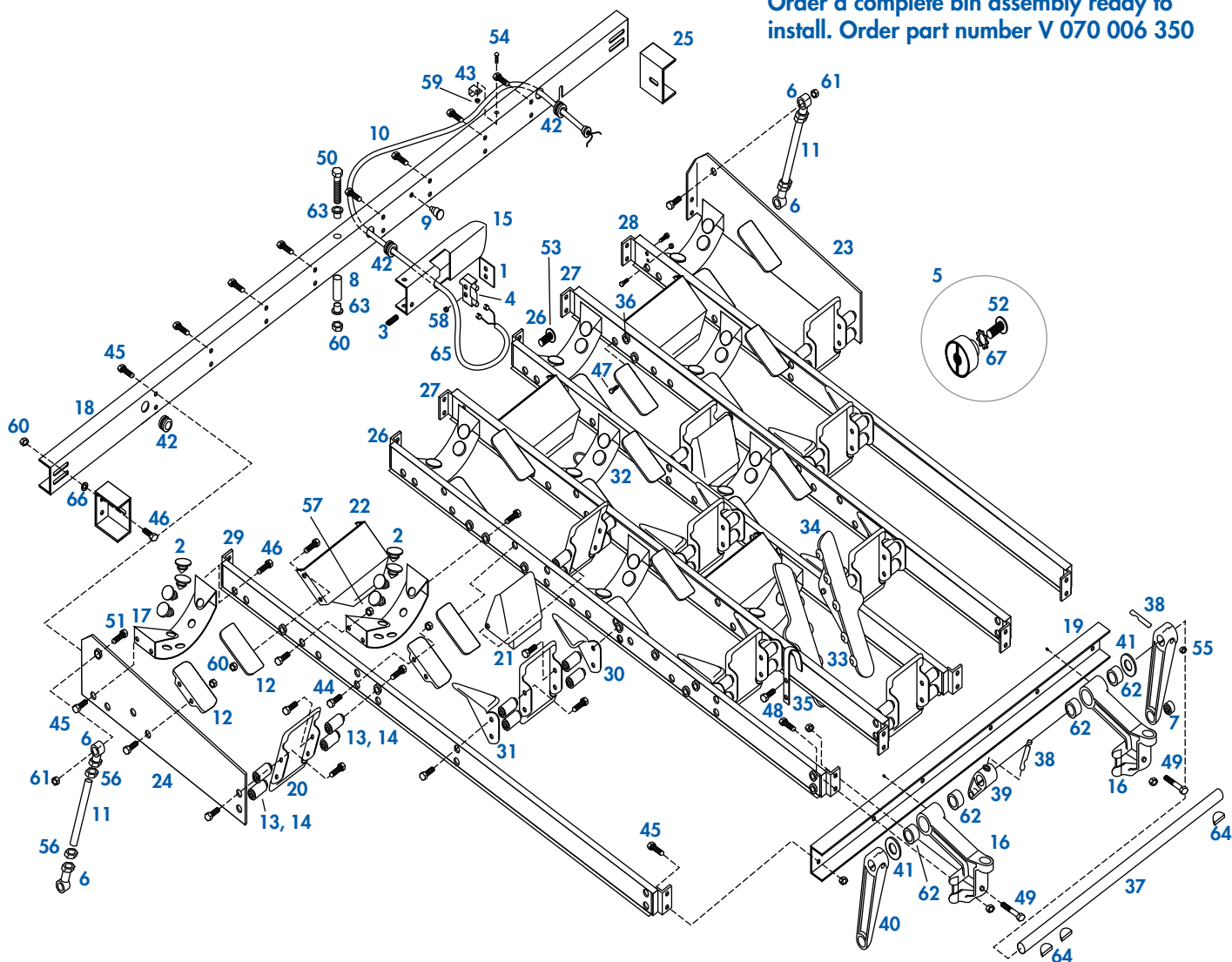
Part #	Description
26	V 070 006 372 Stringer Center R.H. & L.H.
27	V 070 006 373 Stringer Center L.H. & R.H.
28	V 070 006 376 Stringer Outside R.H. (10 pin)
29	V 070 006 377 Stringer Outside L.H. (7 pin)
30	V 070 006 380 Pin Guide #4 Pin
31	V 070 006 381 Pin Guide #6 Pin
32	V 070 006 384 Bracket Weldment
33	V 070 006 386 Track Assembly L.H. (7 pin)
34	V 070 006 388 Track Assembly R.H. (10 pin)
35	V 070 006 389 Guide Pin #1
36	V 070 006 390 Spacer

**Bold faced parts denote a Vantage value added engineering improvement - contact your distributor for details.**





Order a complete bin assembly ready to install. Order part number V 070 006 350



Part #	Description	Part #	Description	Part #	Description
37	V 070 006 402 Shaft	48	V 809 849 285 Hex Head Cap Screw	60	V 844 049 002 Stover Lock Nut
38	V 070 006 403 Stud Clamp	49	V 809 849 485 Hex Head Cap Screw	61	V 844 065 002 Hex Lock Nut
39	V 070 006 408 Lever Bin Assembly	50	V 809 849 605 Hex Head Cap Screw	62	V 900 114 101 Sleeve Bushing
40	V 070 006 429 Shuttle Operating Arm Assembly	51	V 809 865 165 Hex Head Cap Screw	63	V 900 206 091 Flange Bushing
41	V 701 329 050 Washer Thrust Oilite	52	V 813 540 082 Phillips Head Truss Screw	64	V 907 000 600 Hi Pro Key
42	V 711 516 020 Grommet	53	V 818 227 162 Round Head Sems Screw	65	V 948 631 062 Washer
43	V 744 203 014 Nyloclip	54	V 818 233 082 Round Head Sems Screw	66	V 948 753 102 Washer
44	V 808 549 080 Button Head Socket Screw	55	V 831 565 002 Hex Nut	67	V 957 100 002 Shake Proof Washer
45	V 809 849 085 Hex Head Cap Screw	56	V 835 566 002 Hex Jam Nut		
46	V 809 849 125 Hex Head Cap Screw	57	V 840 049 002 Flexloc Nut		
47	V 809 849 165 Hex Head Cap Screw	58	V 843 127 002 Keps Nut		
		59	V 843 133 002 Keps Nut		



V 070 006 254 (3)  
Tube, Side (Short)

4,5,6



V 070 006 255 (4)  
Tube, Side (Long)

V 070 006 256 (5)  
Tube, Outside

V 070 006 257 (6)  
Tube, Center

7



V 070 006 258 (7)  
Tube, Cross (Short)



9

V 070 006 251 (9)  
Clamp End



V 070 006 447 (13)  
Spring

13

**V 208**

**Twin Pin Guide (14)**

The twin pin guide is designed to replace two pin holders and a bin strap with one piece of high density plastic. It reduces costs, smooths out shuttle operation and helps reduce "double shutting".

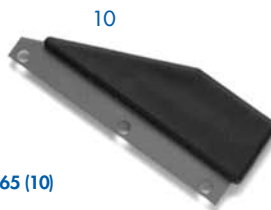


14



8

V 070 006 259 (8)  
Bracket Arm



10

V 070 006 265 (10)  
Pin Holder

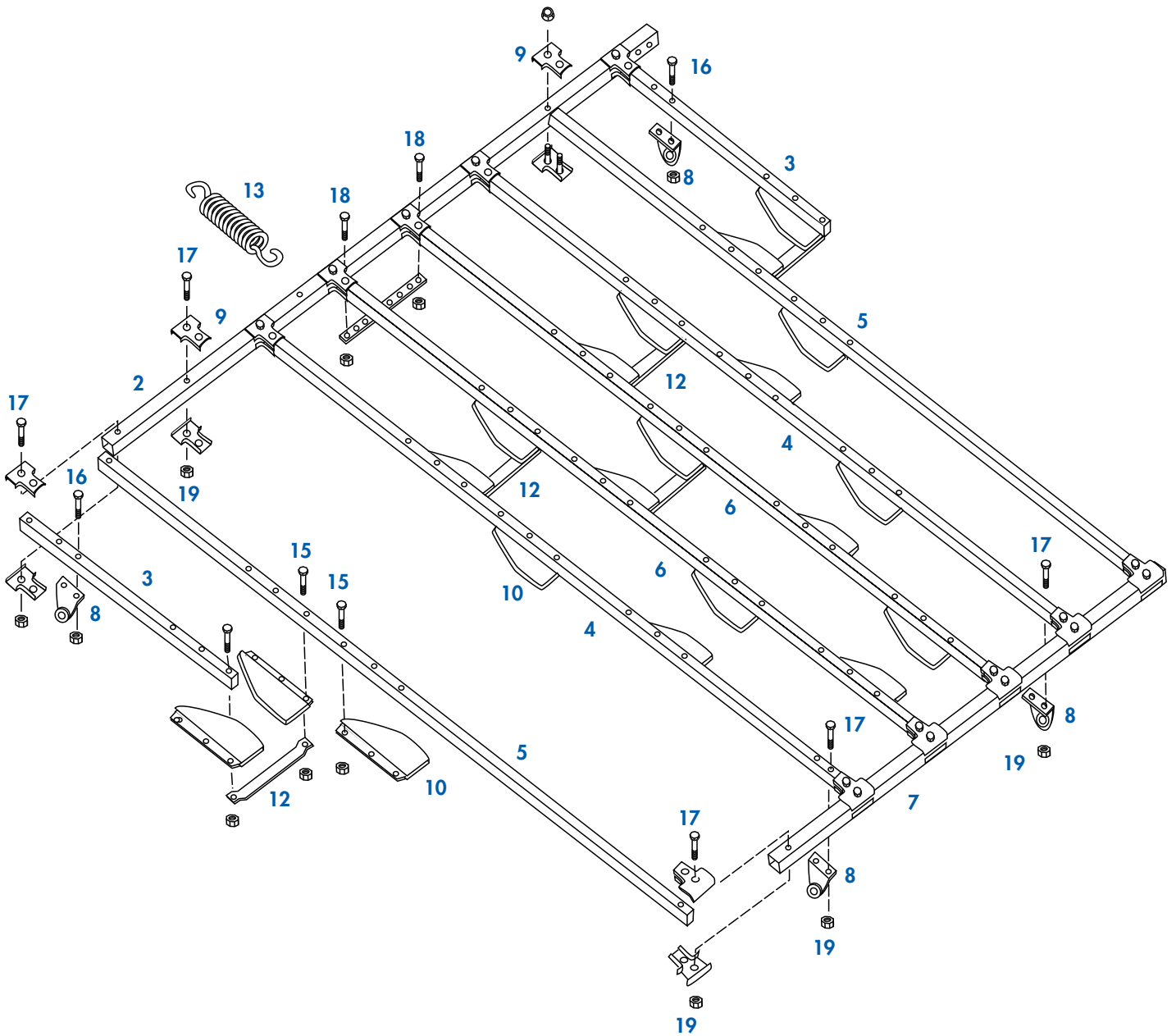
Made with a tough steel insert and covered with hard oil resistant rubber this pin holder will wear and last longer than all plastic O.E.M. replacements.

**V 070 006 268 (12)**  
**Bin Strap**

Bin strap breakage? Try our heavy duty model. Thousands of satisfied users tell us it is the best they've ever used!



12



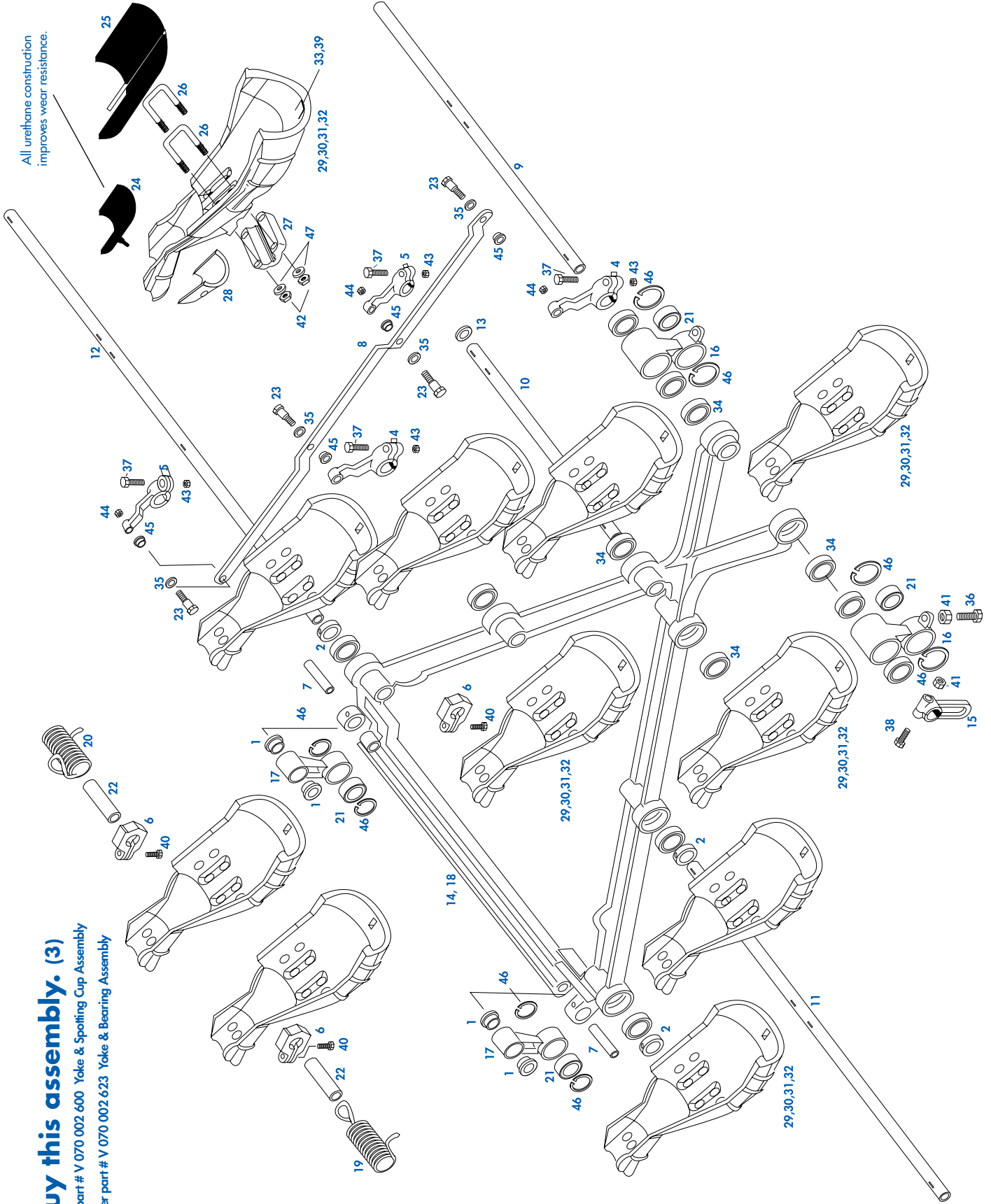
Part #	Description	Part #	Description	Part #	Description
1	V 070 006 250 Shuttle Assembly	8	V 070 006 259 Bracket Arm	15	V 808 549 240 Button Head Socket Screw
2	V 070 006 253 Shuttle Cross Tube (Long)	9	V 070 006 261 Clamp End	16	V 808 549 320 Button Head Socket Screw
3	V 070 006 254 Tube, Side (Short)	<b>10</b>	<b>V 070 006 265 Pin Holder</b>	17	V 809 849 245 Hex Head Cap Screw
4	V 070 006 255 Tube, Side (Long)	11	V 070 006 266 Strap	18	V 809 849 285 Hex Head Cap Screw
5	V 070 006 256 Tube, Outside	12	V 070 006 268 Bin Strap	19	V 844 049 002 Stover Lock Nut
6	V 070 006 257 Tube, Center	13	V 070 006 447 Spring		
7	V 070 006 258 Tube, Cross (Short)	<b>14</b>	<b>V 208 Twin Pin Guide</b>		

### Buy this assembly. (3)

Order part # V 070 002 600 Yoke & Spotting Cup Assembly

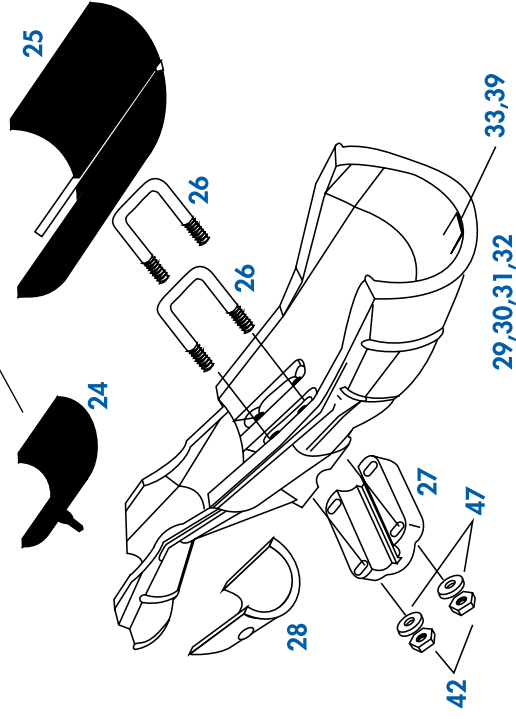
Order part # V 070 002 623 Yoke & Bearing Assembly

All urethane construction improves wear resistance.



Part #	Description	Part #	Description
1	V 000 023 114 Flange Bushing	27	V 070 002 788 Spotting Cup Cap
2	V 000 025 549 Collar With Set Screw 7/8"	28	V 070 002 798 Spotting Cup Retainer
3	V 070 002 600 Yoke & Spotting Cup Assembly	<b>29</b>	<b>V 070 002 809 Lexan Spotting Cup</b>
4	V 070 002 602 Lever Inner	<b>30</b>	<b>V 070 002 809-A Aluminum Spotting Cup</b>
5	V 070 002 603 Lever Outer	31	V 070 002 809-AS Aluminum Spotting Cup Assembly
6	V 070 002 608 Spring Collar	32	V 070 002 809-L Lexan Spotting Cup w/Liner
7	V 070 002 609 Pin	33	V 070 002 818 Rubber Washer
8	V 070 002 612 Tie Link Assembly	34	V 190 001 490 Bearing
9	V 070 002 615 Shaft #1	35	V 701 310 036 Thrust Washer
10	V 070 002 616 Shaft #2	36	V 806 265 240 Square Head Set Screw
11	V 070 002 617 Shaft #3	37	V 809 865 245 Hex Head Cap Screw
12	V 070 002 618 Shaft #4	38	V 809 865 365 Hex Head Cap Screw
13	V 070 002 620 Spacer	39	V 810 249 200 Socket Head Set Screw
<b>14</b>	<b>V 070 002 623 Yoke &amp; Bearing Assembly</b>	40	V 810 258 160 Socket Head Set Screw
15	V 070 002 624 Actuator Arm	41	V 835 565 002 Hex Jam Nut
<b>16</b>	<b>V 070 002 664 Leg Assembly Right or Left Hand</b>	42	V 839 057 002 Hex Lock Nut
<b>17</b>	<b>V 070 002 665 Leg Assembly Rear</b>	43	V 839 665 002 Flexloc Nut
<b>18</b>	<b>V 070 002 683 Yoke</b>	44	V 844 049 002 Stover Lock Nut
19	V 070 002 688 Spring Right (10 pin)	45	V 900 205 053 Flange Bushing
20	V 070 002 689 Spring Left (7 pin)	46	V 919 000 700 Retaining Ring
21	V 070 002 698 Bearing	47	V 948 761 112 Washer
22	V 070 002 719 Spring Sleeve Yoke		
23	V 070 002 723 Pin		
24	V 070 002 784 Spotting Cup Liner		
<b>25</b>	<b>V 070 002 784-S Spotting Cup Liner-Self Adhesive</b>		
26	V 070 002 787 "U" Bolt		

All urethane construction improves wear resistance.



**THE WORLD'S MOST POPULAR NON-METAL SPOTTING CUP JUST GOT BETTER!**

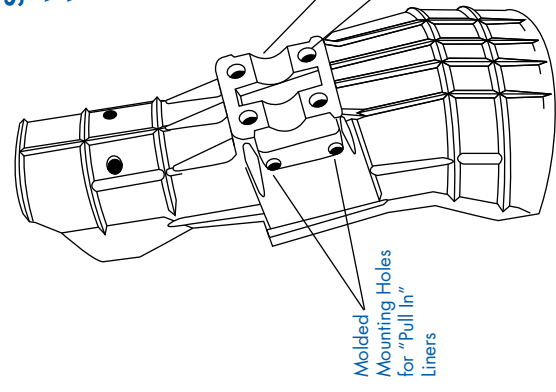
- V 070 002 809 Lexan® Spotting Cup
- V 070 002 809-L Lexan® Spotting Cup with liners

With over 100,000 sold and in use, Vantage Lexan® cups are proven as durable replacements for aluminum. **That's because they're not plastic - they're Lexan® an engineering polycarbonate.** Their one piece construction installs easily and never requires width adjustment.

We've redesigned our product to include features loyal users have requested like:

- Molded holes for "pull in" liner installation.**
  - A narrower mounting area for easier side to side adjustment.**
  - Reinforced mounting holes.**
- Lightweight, durable and easy to install, try the "new" Lexan® cup from Vantage - **the people who made plastic cups work!**

\*Lexan® is a registered trademark of General Electric Corporation.

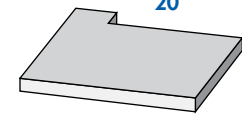
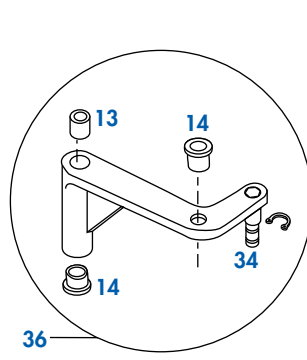
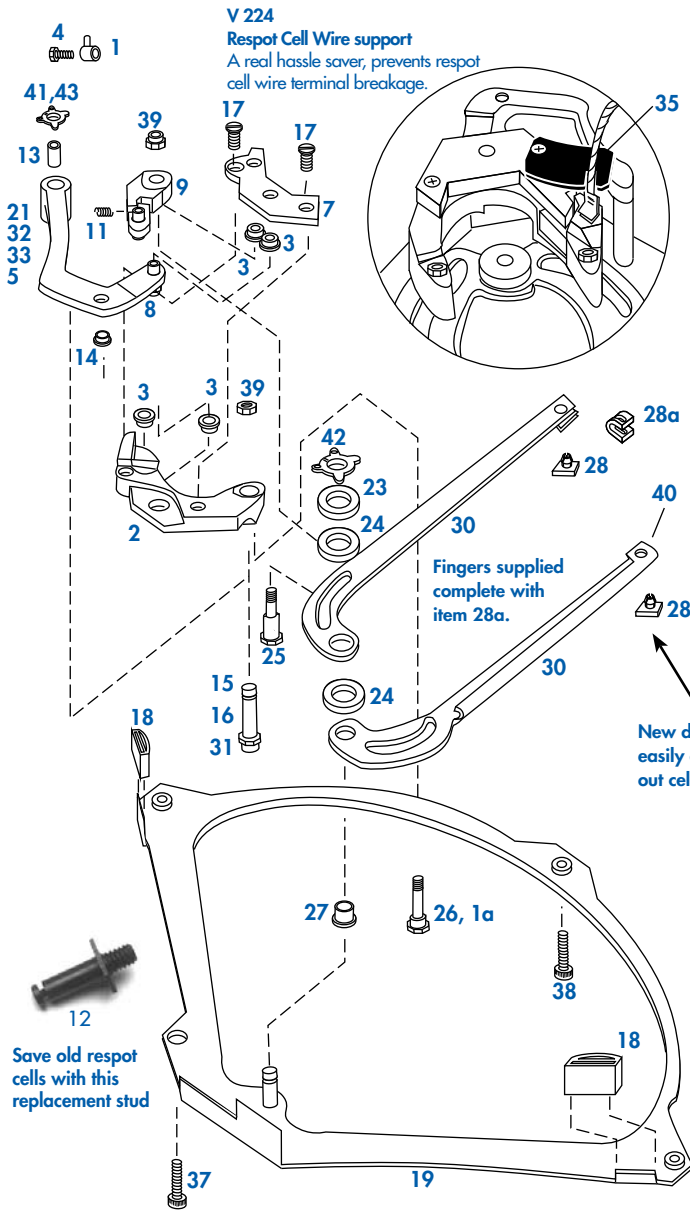


**Bold faced parts denote a Vantage value added engineering improvement - contact your distributor for details.**



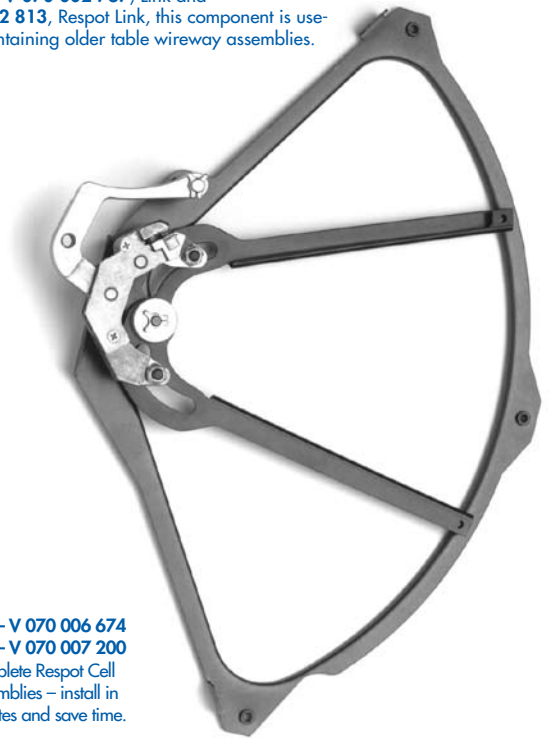


# Respot Cell



**V 070 006 519**  
Keep your respot cells adjusted perfectly with new respot cell gauges.

Used with **V 070 002 767**, Link and **V 070 002 813**, Respot Link, this component is useful in maintaining older table wireway assemblies.



New design, installs easily and smoothes out cell operation.

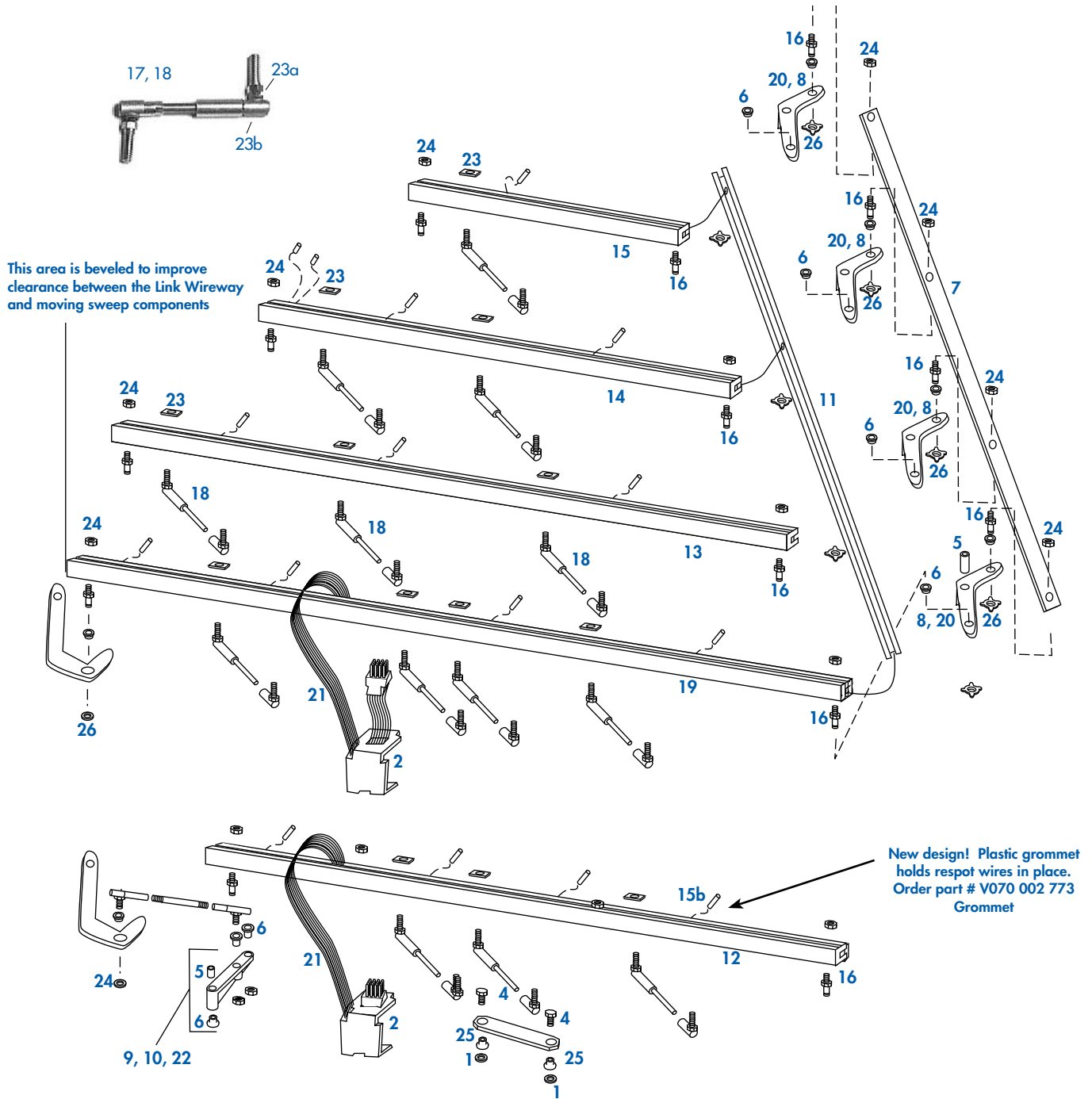
(22) – V 070 006 674  
(29) – V 070 007 200  
Complete Respot Cell Assemblies – install in minutes and save time.

Part #	Description
1	V 070 002 570 Insert Assembly
1a	V 070 002 628 Stud Respot Roll (Die Cast Fingers)
2	V 070 002 629 Yoke Arm Assembly
3	V 070 002 630 Flange Bushing
4	V 070 002 632 Stop Screw
5	V 070 002 633 Lever Assy (7 Cell) W/Item 13,14 1/4"
6	V 070 002 642 Respot Yoke Assy 7 Cell W/Items 1,2,4,7,9,11,17 and 36
7	V 070 002 644 Plate Assembly
8	V 070 002 645 Shaft
9	V 070 002 646 Arm Respot Yoke
10	V 070 002 647 Yoke Respot Assembly W/Items 1,2,4,7,9,11,17 and 21
11	V 070 002 649 Spring
12	V 070 002 650 Stud
13	V 070 002 652 Sleeve Bushing
14	V 070 002 653 Flange Bushing

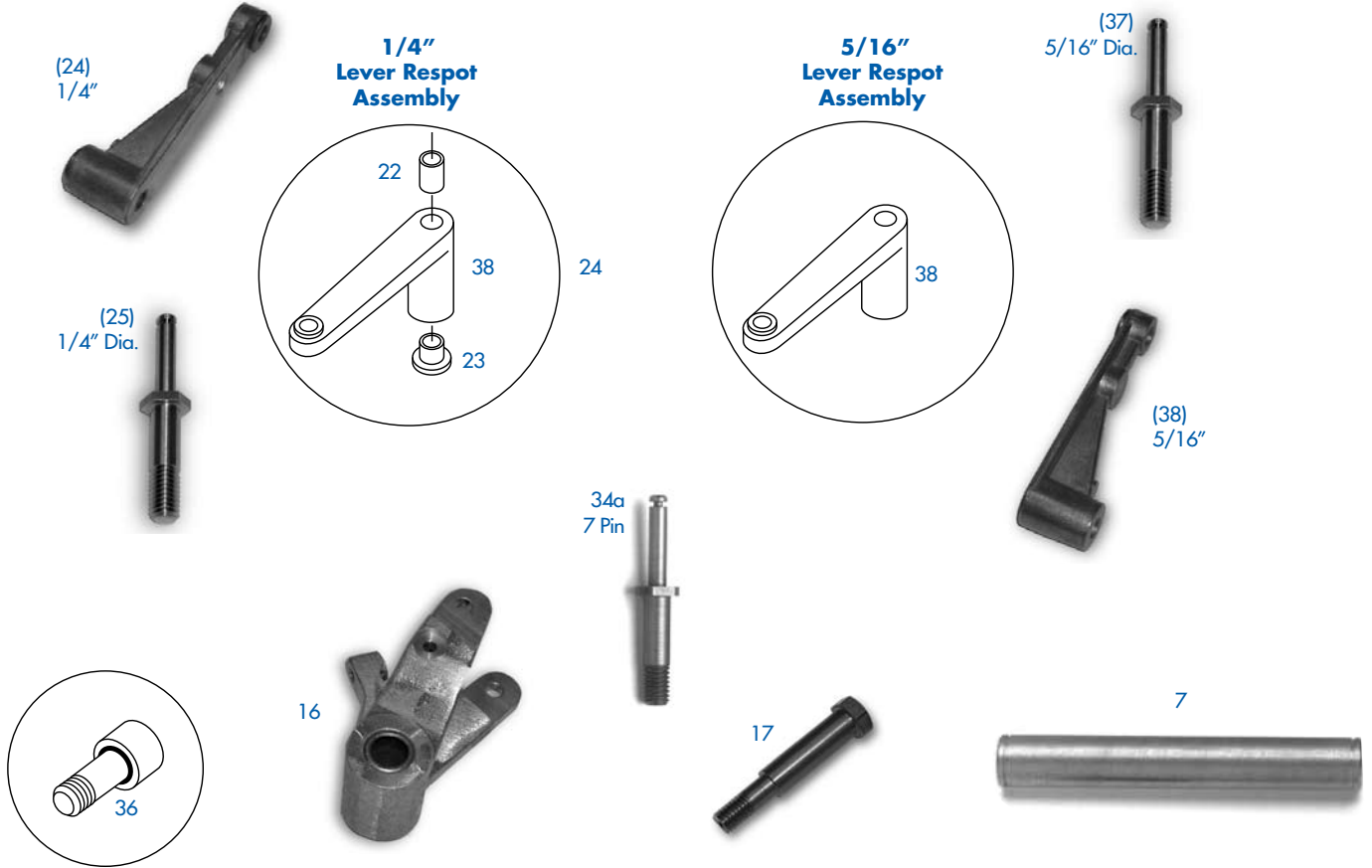
Part #	Description
15	V 070 002 654 Pivot Stud 1/4" Dia.
16	V 070 002 685 Pivot Shaft 7 Cell
17	V 070 002 750 Screw
18	V 070 002 752 Bumper
19	<b>V 070 002 792 Respot Cell Frame</b>
20	V 070 006 519 Respot Gauge
21	V 070 006 673 Lever Assy (9 Cell) W/Items 13,14 and Pin 1/4"
22	V 070 006 674 Respot Cell Assembly Complete (7 Cell)
23	V 070 007 192 Washer
24	<b>V 070 007 193 Spacer/Nylon Washer</b>
25	V 070 007 194 Stud-Long
26	V 070 007 195 Stud-Short
27	V 070 007 196 Bushing
28	V 070 007 197 Insert
28a	V 070 007 197-0 Original Style Insert

Part #	Description
29	V 070 007 200 Respot Cell Assembly Complete
30	V 070 007 261 Finger Assembly
31	V 070 007 617 Pivot Stud 5/16" Dia.
32	V 070 007 618 Lever Assy (9 Cell) W/Item 14 & Pin 5/16"
33	V 070 007 620 Lever Assy (7 Cell) W/Item 14 & Pin 5/16"
34	V 070 008 154 Pivot Pin #7 Cell
35	<b>V 224 Respot Cell Wire Support</b>
36	<b>V 610 704 026 Lever Respot Arm (7 Cell)</b>
37	V 808 640 121 Socket Head Cap Screw
38	V 808 640 141 Socket Head Cap Screw
39	V 844 049 002 Stover Lock Nut
40	V 913 437 100 Roll Pin
41	V 963 100 002 X-Washer 1/4" Pin
42	V 963 200 002 X-Washer
43	V 963 400 002 X-Washer 5/16" Pin

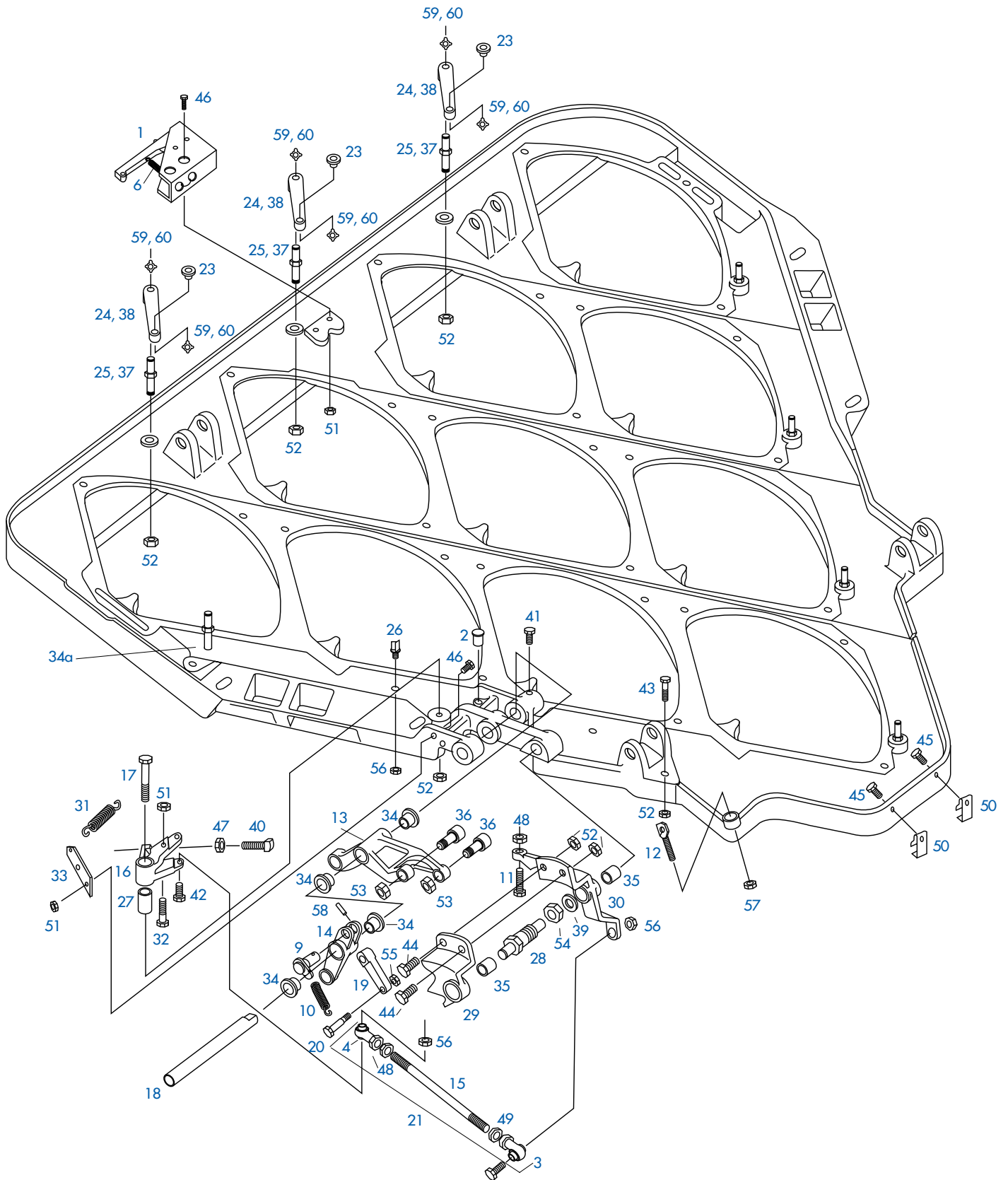
**Bold faced parts denote a Vantage value added engineering improvement - contact your distributor for details.**



Part #	Description	Part #	Description	Part #	Description
1	V 000 026 865 Washer	12	V 070 002 767 Link	23	V 724 507 002 Tinnerman Nut
2	V 070 002 538 Bracket	13	V 070 002 768 Link	23a	V 730 027 019 Ball Stud 1/4" - 20
4	V 070 002 619 Pin Actuator Shaft	14	V 070 002 769 Link	23b	V 730 036 025 Clip
5	V 070 002 652 Sleeve Bushing	15	V 070 002 770 Link	24	V 844 049 002 Stover Lock Nut
6	V 070 002 653 Flange Bushing	15b	V 070 002 773 Grommet	25	V 900 205 053 Flange Bushing
7	V 070 002 671 Link Respot Connector	16	V 070 002 774 Pin	26	V 963 200 002 X-Washer
8	V 070 002 678 Lever Respot Assembly, 1/4" Pin	18	V 070 002 814 Link Assembly		
9	V 070 002 708 Lever Assembly Respot	19	V 070 006 669 Link		
10	V 070 002 758 Lever And Bushing Assembly 70 A Machine	20	V 070 007 623 Lever Respot Assembly, 5/16" Pin		
11	V 070 002 766 Link-Wireway	21	V 610 704 010 Lower Table Cable		
		22	V 610 704 155 Lever Assembly Respot		

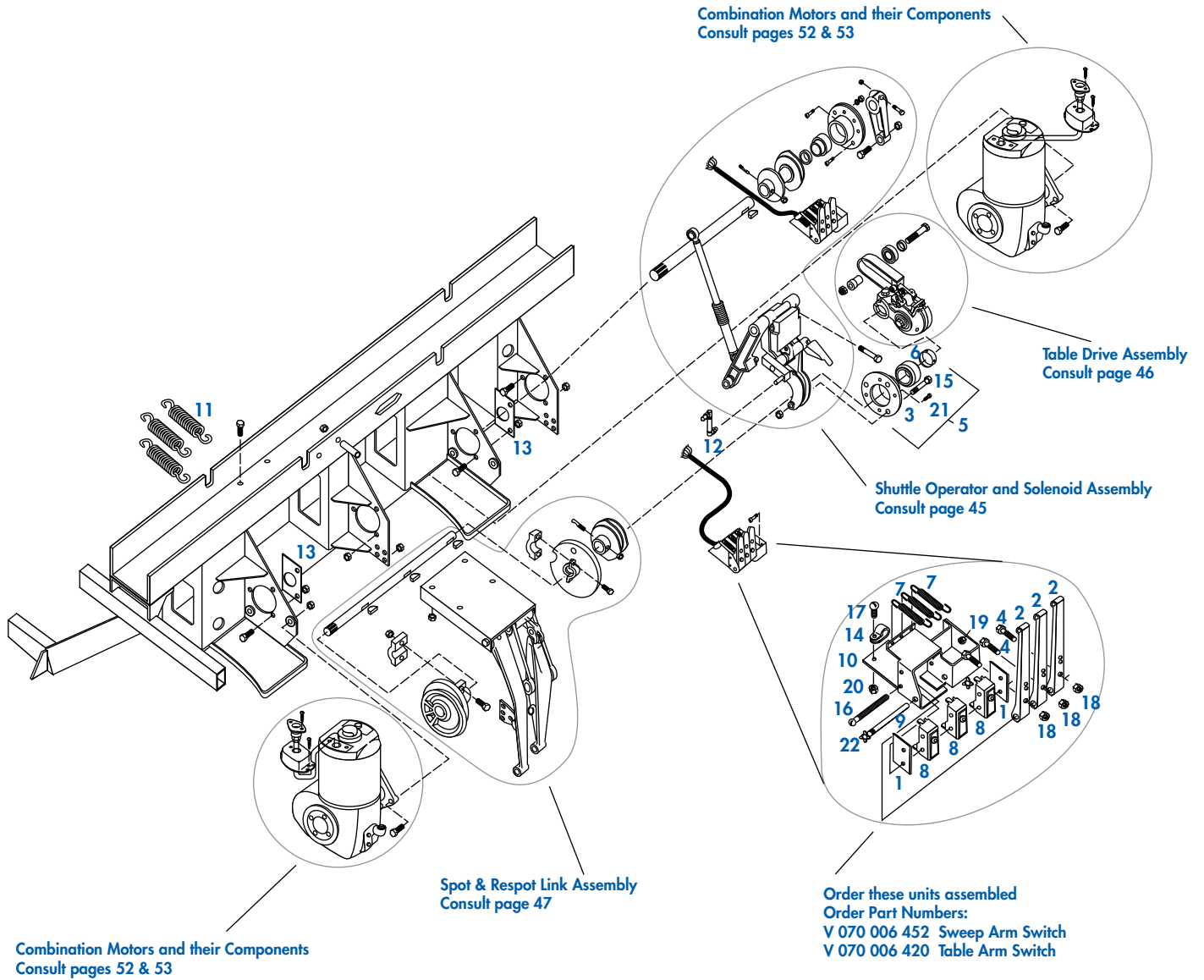


Part #	Description	Part #	Description	Part #	Description
1	V 000 021 645 Switch Lever Assembly	24	V 070 002 680 Lever Respot Assembly 1/4"	44	V 809 865 205 Hex Head Cap Screw
2	V 000 022 580 Pin Stop	25	V 070 002 681 Respot Lever Pivot Pin 1/4"	45	V 810 233 080 Socket Head Cap Screw
3	V 000 022 737 1/4 Rod End Bearing L.H.	26	V 070 002 702 Stop Respot	46	V 810 239 120 Socket Head Cap Screw
4	V 000 022 738 1/4 Rod End Bearing R.H.	27	V 070 002 715 Sleeve Bushing	47	V 835 549 002 Hex Jam Nut
6	V 000 024 657 Spring	28	V 070 002 726 Shaft	48	V 835 550 002 Hex Jam Nut
7	V 070 001 583 Pin	29	V 070 002 727 Link And Bearing Assembly	49	V 835 650 002 Hex Jam Nut
9	V 070 001 804 Pivot Weldment	30	V 070 002 728 Cam Link Bearing Assembly	50	V 839 533 002 Flexloc Nut
10	V 070 001 807 Spring	31	V 070 002 732 Spring	51	V 839 539 002 Flexloc Nut
11	V 070 001 871 Hex Head Cap Screw	32	V 070 002 733 Cam Link Screw	52	V 839 665 002 Flexloc Nut
12	V 070 002 577 Stud	33	V 070 002 734 Bracket	53	V 840 066 002 Flexloc Nut
13	V 070 002 578 Lever Assembly Spot	34	V 070 002 745 Flange Bushing	54	V 840 600 002 Flexloc Nut
14	V 070 002 579 Finger Lever Assembly	34a	V 070 002 751 Respot Lever Pivot Pin 7 Side	55	V 843 140 002 Keps Nut
15	V 070 002 581 Tie Rod	35	V 070 002 781 Needle Bearing	56	V 844 049 002 Stover Lock Nut
16	V 070 002 583 Actuating Link Assembly	36	V 070 002 816 Cam Follower	57	V 844 057 002 Stover Lock Nut
17	V 070 002 584 Bell Crank Pin	37	V 070 007 616 Pin 5/16"	58	V 913 423 160 Roll Pin
18	V 070 002 585 Shaft	38	V 070 007 622 Lever Respot Assembly 5/16"	59	V 963 200 002 X-Washer
19	V 070 002 590 Finger Link	39	V 701 316 041 Thrust Washer	60	V 963 400 002 X-Washer
20	V 070 002 592 Pin	40	V 806 249 160 Square Head Set Screw		
21	V 070 002 594 Tie Rod Assembly	41	V 807 357 060 Socket Head Set Screw		
22	V 070 002 652 Sleeve Bushing	42	V 809 849 165 Hex Head Cap Screw		
23	V 070 002 653 Flange Bushing	43	V 809 865 125 Hex Head Cap Screw		





# Front End Drive Assembly



Part #	Description
--------	-------------

1	V 000 021 575 Insulator
2	V 000 021 645 Switch Lever Assembly
3	V 000 021 683 Bearing Retainer
4	V 000 021 714 Adjusting Screw
5	V 000 021 744 Self Aligning Bearing Assembly
6	V 000 021 905 Bearing (W/Locking Collar)
7	V 000 024 657 Spring
8	V 000 026 042 Switch Table/ Sweep Cam

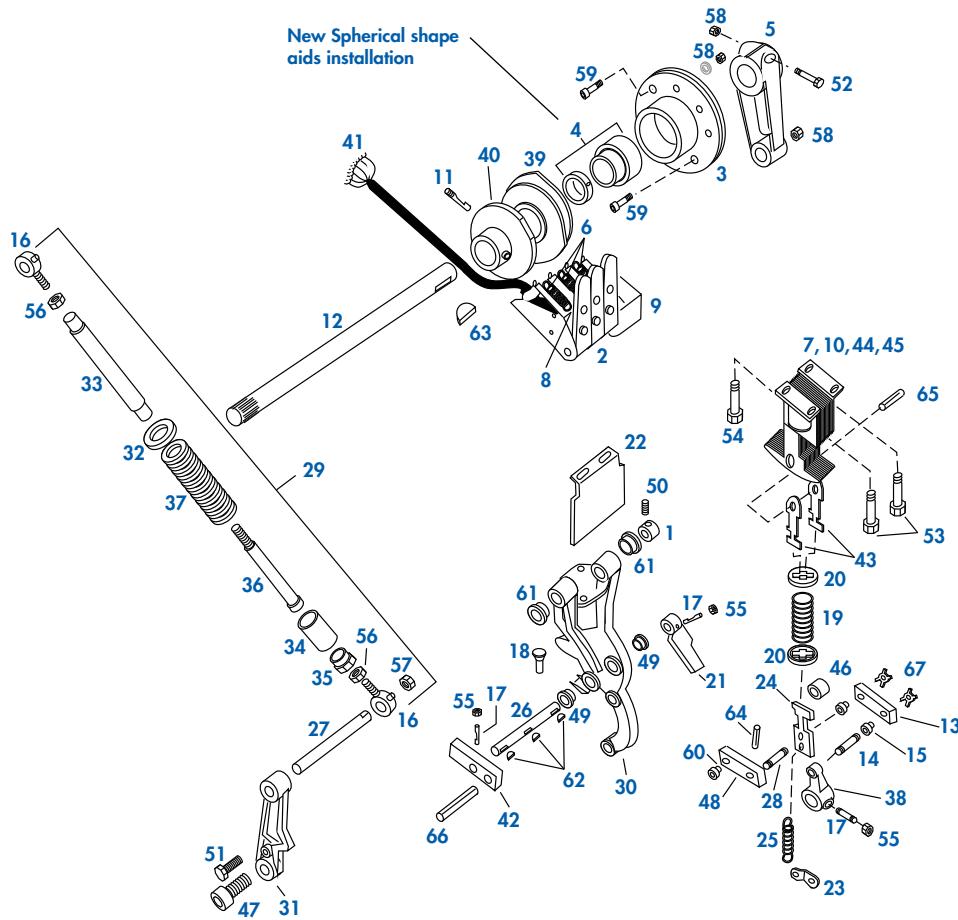
Part #	Description
--------	-------------

9	V 000 026 401 Shaft
10	V 000 026 419 Housing Weldment
11	V 070 001 707 Spot Respot/ Arm Spring
12	V 070 006 493 Ball Joint Assembly
13	V 070 006 765 Shaft Plate
14	V 744 203 014 Nyloclip
15	V 809 857 405 Hex Head Cap Screw
16	V 818 227 402 Round Head Sems Screw

Part #	Description
--------	-------------

17	V 818 233 082 Round Head Sems Screw
18	V 835 550 002 Hex Jam Nut
19	V 843 127 002 Keps Nut
20	V 843 133 002 Keps Nut
21	V 880 239 140 Shoulder Screw
22	V 963 200 002 X-Washer



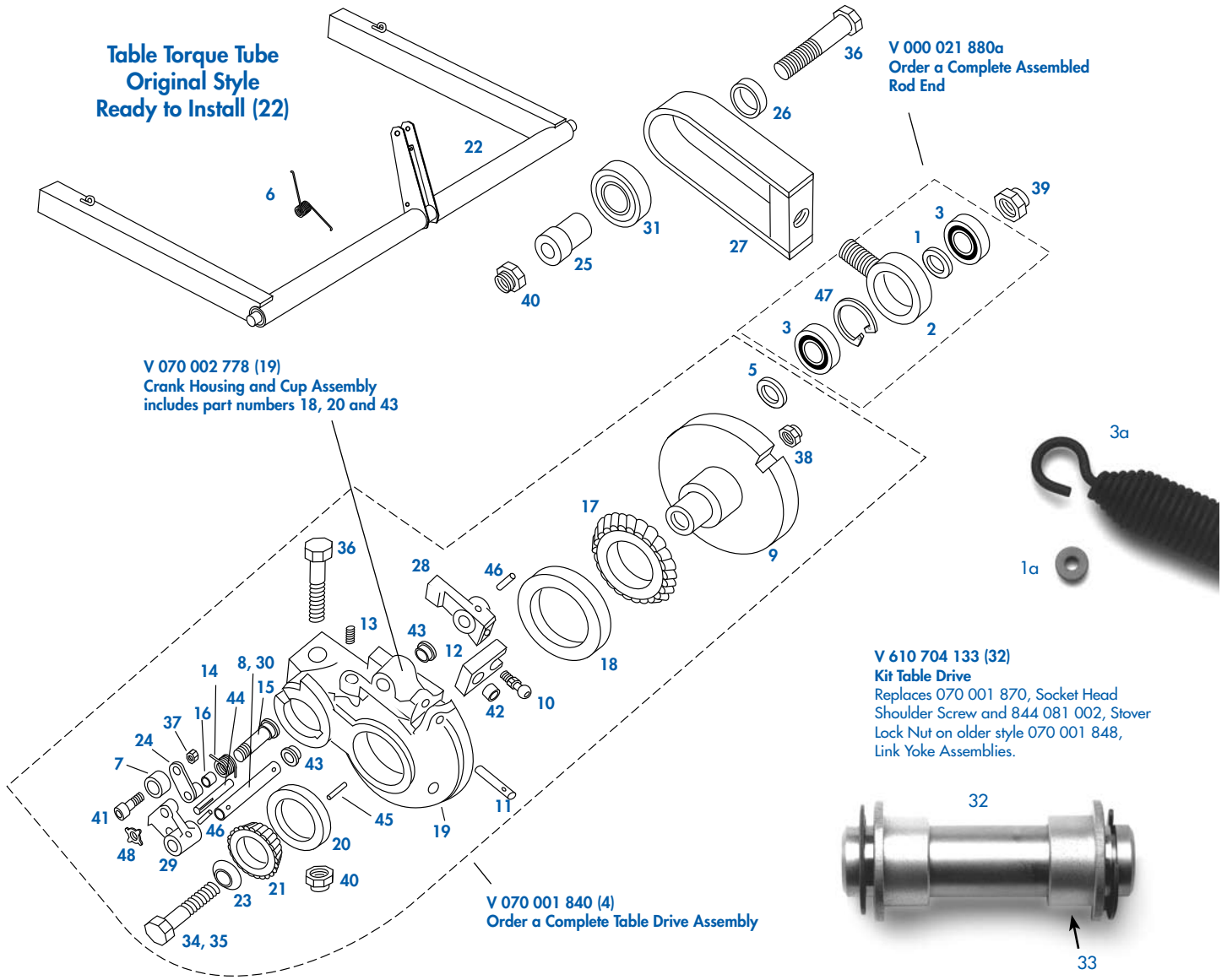


Part #	Description	Part #	Description	Part #	Description
1	V 000 021 423 Collar (With Set Screw)	23	V 070 006 280 Spring Clip	46	V 070 008 133 Spacer
2	V 000 021 645 Switch Lever Assembly	24	V 070 006 282 Spring Link	47	V 610 704 002 Cam Follower Assembly
3	V 000 021 683 Bearing Retainer	25	V 070 006 283 Spring	48	V 610 704 015 Kit Link Replacement
4	V 000 021 905 Bearing (W/Locking Collar)	26	V 070 006 285 Shaft	49	V 701 416 058 Flange Bushing
5	V 000 023 139 Crank Arm	27	V 070 006 286 Shaft	50	V 807 357 040 Socket Head Set Screw
6	V 000 024 657 Spring	28	V 070 006 287 Pin	51	V 809 865 205 Hex Head Cap Screw
7	V 000 026 027 Solenoid 5/32" Plunger Hole 60 HZ	29	V 070 006 293 Connecting Rod Assembly	52	V 809 873 405 Hex Head Cap Screw
8	V 000 026 042 Switch - Table/Sweep Cam	30	V 070 006 294 Bracket Casting	53	V 813 933 162 Hex Head Machine Screw
9	V 000 026 419 Housing Weldment	31	V 070 006 295 Lever	54	V 814 333 122 Hex Head Machine Screw
10	V 000 027 873 Solenoid 5/32" Plunger Hole 50 HZ	32	V 070 006 296 Washer Spring	55	V 835 549 002 Hex Jam Nut
11	V 070 001 664 Clamp Stud	33	V 070 006 297 Long Tube	56	V 835 566 002 Hex Jam Nut
12	V 070 001 699 Sweep Drive Shaft	34	V 070 006 299 Tube Assembly	57	V 840 065 002 Thin Flexloc Nut
13	V 070 001 774 Link Assembly	35	V 070 006 302 Tube Plug	58	V 844 073 002 Stover Lock Nut
14	V 070 001 777 Pin	36	V 070 006 304 Rod Assembly	59	V 880 239 140 Shoulder Screw
15	V 070 002 653 Flange Bushing	37	V 070 006 306 Spring	60	V 900 204 121 Flange Bushing
16	V 070 006 046 Rod End	38	V 070 006 307 Link Assembly	61	V 900 210 161 Flange Bushing
17	V 070 006 116 Clamp Stud	39	V 070 006 449 Cam Weldment, Sweep	62	V 907 000 200 Key
<b>18</b>	<b>V 070 006 142 Bumper</b>	40	V 070 006 450 Cam Weldment, Sweep	63	V 907 000 900 Key
19	V 070 006 276 Spring	41	V 070 006 452 Sweep Cable-Sweep Cam Switch	64	V 913 415 100 Roll Pin
20	V 070 006 277 Washer	42	V 070 006 484 Stop Lever Assembly	65	V 913 448 120 Roll Pin
21	V 070 006 278 Cam Link	43	V 070 006 724 Spring Link Outside	66	V 913 464 400 Roll Pin
22	V 070 006 279 Solenoid Guard	44	V 070 006 726 Solenoid 1/4" Plunger Hole 60 HZ	67	V 963 200 002 X-Washer
		45	V 070 006 727 Solenoid 1/4" Plunger Hole 50 HZ		

**Bold faced parts denote a Vantage value added engineering improvement - contact your distributor for details.**



# Table Drive Assembly



Part #	Description
--------	-------------

1	V 000 021 878 Spacer
1a	V 070 001 668 Roller
2	V 000 021 880 Rod End
2a	V 000 021 880a Assembled Rod End
3	V 000 021 881 Bearing
3a	V 000 022 782 Counter Balance Spring
4	V 070 001 840 Table Drive Assembly
5	V 070 001 849 Washer
6	V 070 001 853 Spring
7	V 070 001 857 Roller
8	V 070 001 866 Pin 3/32 Roll Pin Holes
9	V 070 001 877 Table Drive Eccentric
10	V 070 001 893 Cam Ball Assembly
11	V 070 001 894 Pivot Pin
12	V 070 001 898 Latch
13	V 070 001 917 Spring
14	V 070 001 931 Spring

Part #	Description
--------	-------------

15	V 070 001 932 Pin
16	V 070 002 652 Sleeve Bushing
17	V 070 002 776 Cone, Roller Bearing
18	V 070 002 777 Cup, Roller Bearing
19	V 070 002 778 Crank Housing and Cup Assembly
20	V 070 002 780 Cup, Roller Bearing
21	V 070 002 824 Cone and Seal
22	V 070 006 718 Table Torque Tube
23	V 070 006 729 Disc Spring
24	V 070 007 250 Link Hub Assembly
25	V 070 007 310 Flange Bushing
26	V 070 007 311 Sleeve
27	V 070 007 755 Yoke Assembly
28	V 070 008 321 Arm Latch Assembly
29	V 070 008 322 Link
30	V 070 008 325 Pin 1/8 Roll Pin Holes
31	V 190 001 490 Bearing

Part #	Description
--------	-------------

32	V 610 704 133 Kit Table Drive
33	V 610 704 133-B Bushing for Kit Table Drive
34	V 809 870 285 Hex Head Cap Screw
35	V 809 870 325 Hex Head Cap Screw
36	V 809 873 405 Hex Head Cap Screw
37	V 839 539 002 Flexloc Nut
38	V 840 070 002 Flexloc Nut
39	V 840 182 002 Thin Flexloc Nut
40	V 844 073 002 Stover Lock Nut
41	V 880 139 120 Shoulder Screw
42	V 900 104 071 Sleeve Bushing
43	V 900 205 053 Flange Bushing
44	V 912 137 200 Groove Pin
45	V 913 415 120 Roll Pin
46	V 913 423 120 Roll Pin
47	V 919 000 600 Retaining Ring
48	V 963 300 002 X-Washer

V 070 001 910  
Cam Spot Respot



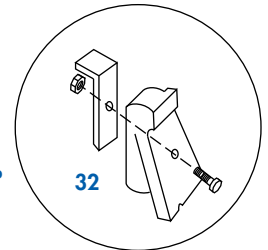
18

V 070 001 598  
Hook Assembly  
for double solenoid  
machines

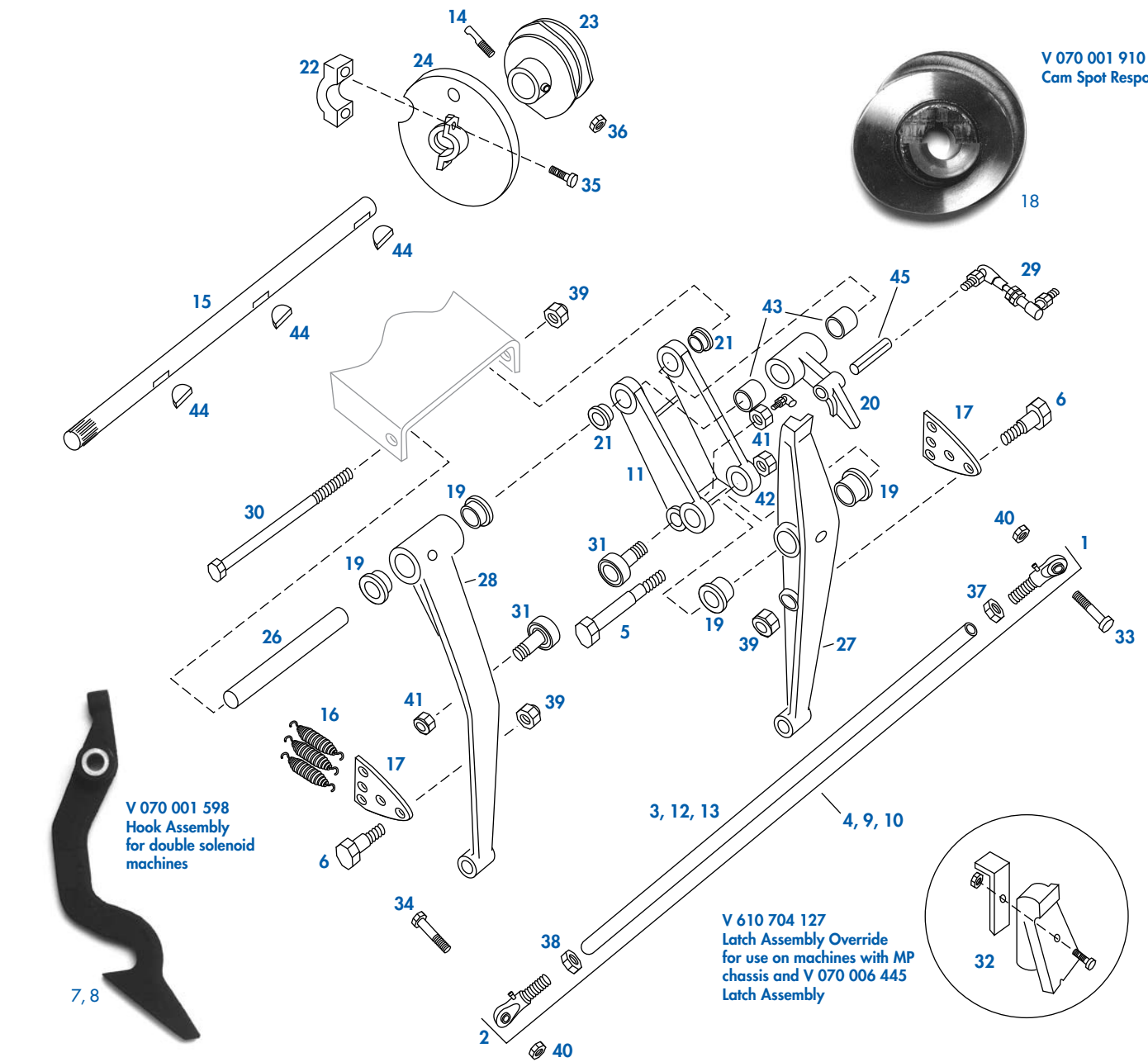


7, 8

V 610 704 127  
Latch Assembly Override  
for use on machines with MP  
chassis and V 070 006 445  
Latch Assembly



32



Part #	Description
--------	-------------

1	V 000 025 004 End Fitting R.H.
2	V 000 025 005 End Fitting L.H.
3	V 070 001 557 Tie Rod
4	V 070 001 558 Table Tie Rod
5	V 070 001 585 Spot Link Pin
6	V 070 001 587 Spring Hanger Pin
7	V 070 001 591 Pin (Not Shown)
8	V 070 001 598 Hook Assembly
9	V 070 001 601 Respot Tie Rod
10	V 070 001 602 Spot Tie Rod
11	V 070 001 605 Upper Spotting Link Assy
12	V 070 001 606 Respot Tie Rod
13	V 070 001 607 Spot Tie Rod
14	V 070 001 664 Clamp Stud
15	V 070 001 700 Table Drive Shaft

Part #	Description
--------	-------------

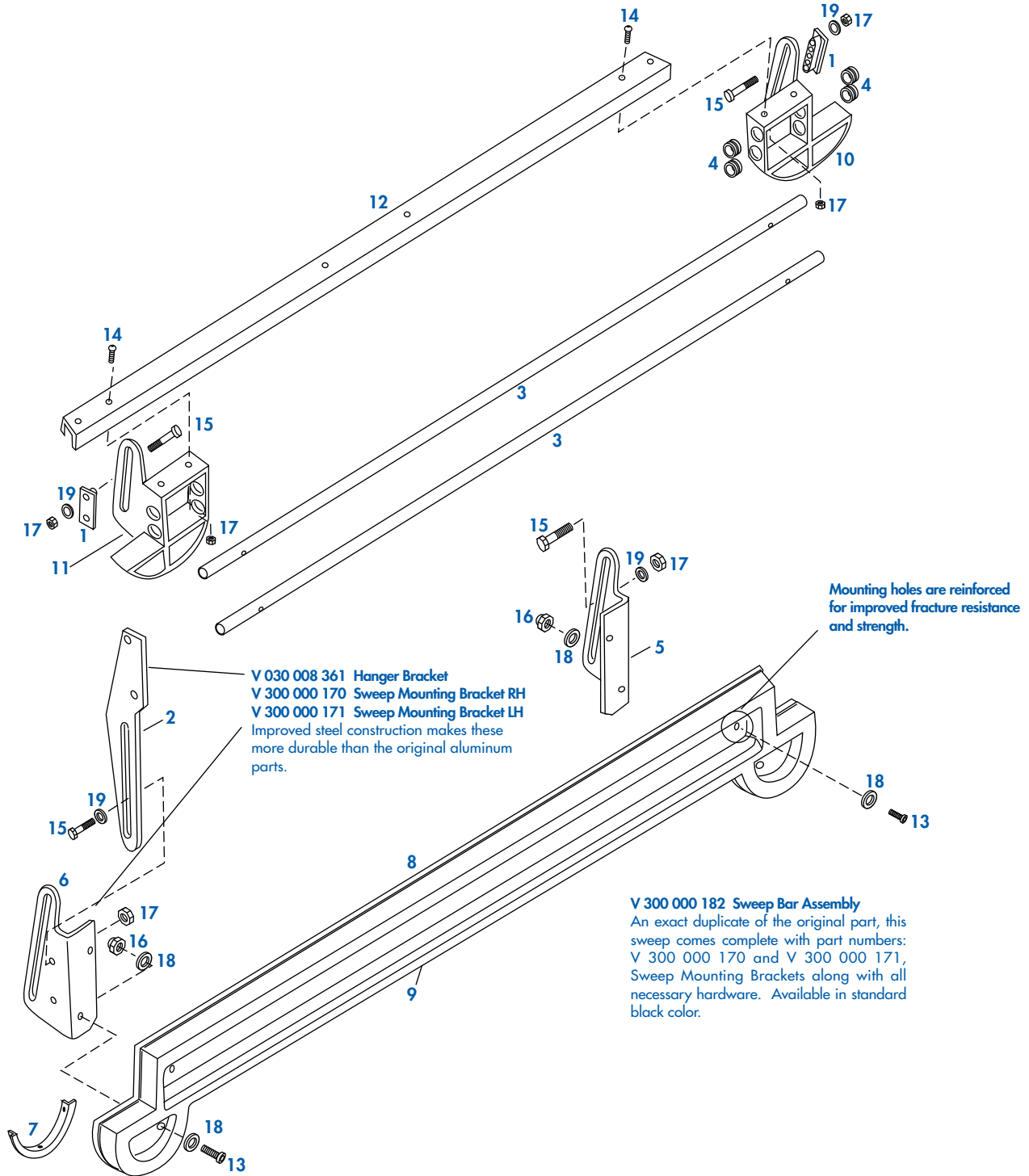
16	V 070 001 707 Spot/Respot Arm Spring
17	V 070 001 751 Spring Hanger
18	V 070 001 910 Cam Spot Respot
19	V 070 001 919 Flange Bushing
20	V 070 001 997 Alternate Latch Assembly
21	V 070 002 691 Flange Bushing
22	V 070 006 407 Cam Hub Cap
23	V 070 006 417 Cam Weldment, Table
24	V 070 006 427 Shuttle Cam
26	V 070 006 457 Spotting Arm Shaft
27	V 070 006 481 Spotting Arm Link Assy
28	V 070 006 492 Respot Arm Link Assy
29	V 070 006 493 Ball Joint Assembly
30	V 070 006 496 Hex Head Cap Screw
31	V 610 704 002 Cam Follower Assembly

Part #	Description
--------	-------------

32	V 610 704 127 Latch Assembly Override
33	V 809 869 245 Hex Head Cap Screw
34	V 809 869 285 Hex Head Cap Screw
35	V 810 265 280 Socket Head Cap Screw
36	V 835 549 002 Hex Jam Nut
37	V 835 570 002 Hex Jam Nut
38	V 835 670 002 Hex Jam Nut
39	V 839 665 002 Flexloc Nut
40	V 844 069 002 Stover Lock Nut
41	V 844 070 002 Stover Lock Nut
42	V 844 073 002 Stover Lock Nut
43	V 900 110 141 Sleeve Bushing
44	V 907 000 900 Key
45	V 913 464 360 Roll Pin

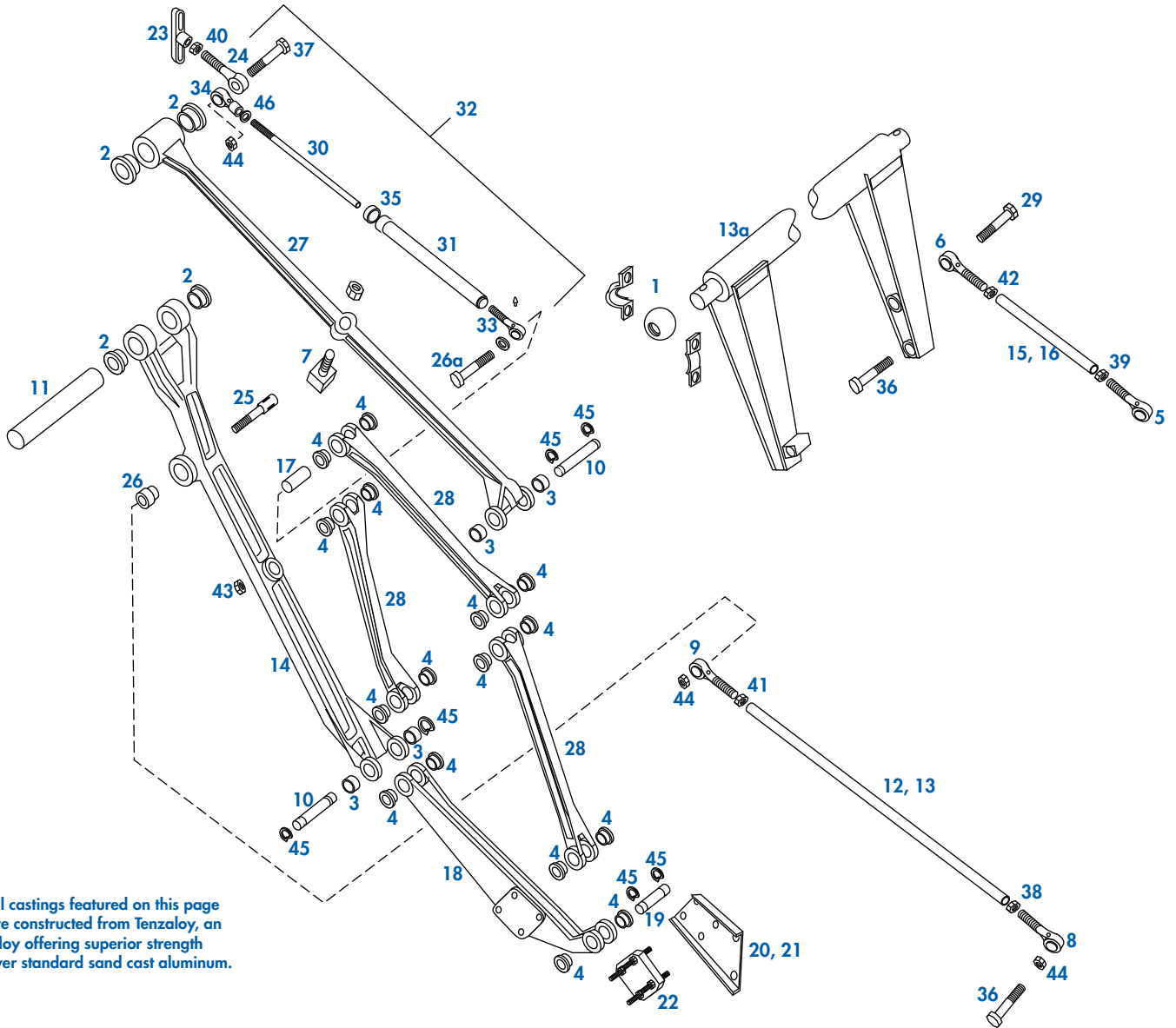


# Sweep Bar Mounting Assembly



Part #	Description	Part #	Description	Part #	Description
1	V 000 023 182 Slide Bar	7	<b>V 300 000 175 Cap Sweep Bar</b>	15	V 809 857 245 Hex Head Cap Screw
2	<b>V 030 008 361 Hanger Bracket</b>	8	V 300 000 182 Sweep Bar Assembly	16	V 830 057 002 Acorn Nut
3	V 070 003 180 Tube	9	V 300 000 182-NB Sweep Bar Only	17	V 844 057 002 Stover Lock Nut
4	V 070 003 236 Grommet	10	<b>V 610 700 079 Shield R.H. (10 pin)</b>	18	V 948 722 111 Washer
5	<b>V 300 000 170 Sweep Mounting Bracket R.H. (10 pin)</b>	11	<b>V 610 700 089 Shield L.H. (7 pin)</b>	19	V 948 761 112 Washer
6	<b>V 300 000 171 Sweep Mounting Bracket L.H. (7 pin)</b>	12	<b>V 610 700 099 Channel Sweep</b>		
		13	V 808 557 140 Button Head Socket Screw		
		14	V 808 557 160 Button Head Socket Screw		

**Bold faced parts denote a Vantage value added engineering improvement - contact your distributor for details.**



All castings featured on this page are constructed from Tenzaloy, an alloy offering superior strength over standard sand cast aluminum.

Part #	Description	Part #	Description	Part #	Description
1	V 000 022 811 Pillow Block	16	V 070 003 162 Motor Connecting Rod	31	V 070 007 278 Tube Weldment
2	V 000 023 104 Flange Bushing	17	V 070 003 173 Sleeve Bushing	32	V 070 007 280 Link Assembly Telescoping Sweep
3	V 000 023 105 Sleeve Bushing	<b>18</b>	<b>V 070 003 184 Support Link Assembly</b>	33	V 070 007 281 Rod End Male
4	V 000 023 114 Flange Bushing	19	V 070 003 189 Pin-Bearing	34	V 070 007 282 Rod End Female
5	V 000 023 160 End Fitting R.H.	20	V 070 003 190 Shock Bracket R.H.	35	V 070 007 283 Bumper
6	V 000 023 161 End Fitting L.H.	21	V 070 003 191 Shock Bracket L.H. (Shown)	36	V 809 869 365 Hex Head Cap Screw
7	V 000 023 216 Bumper	22	V 070 003 195 Shock Mount	37	V 809 869 405 Hex Head Cap Screw
8	V 000 025 004 End Fitting R.H.	23	V 070 003 222 Shock Mounting Bracket	38	V 835 570 002 Hex Jam Nut
9	V 000 025 005 End Fitting L.H.	24	V 070 003 223 Threaded Link	39	V 835 574 002 Hex Jam Nut
10	V 070 003 103 Pin-Bearing	25	V 070 003 231 Pin Bearing	40	V 835 582 002 Hex Jam Nut
11	V 070 003 106 Shaft Main Pivot	26	V 070 003 234 Flange Bushing	41	V 835 670 002 Hex Jam Nut
12	V 070 003 115 Drive Link Connecting Rod	26a	V 070 003 235 Sweep Link Screw	42	V 835 674 002 Hex Jam Nut
13	V 070 003 116 Tube	<b>27</b>	<b>V 070 003 238 Stabilizing Link</b>	43	V 839 665 002 Flexloc Nut
13a	V 070 003 132 Sweep Rocker Arm Assembly	<b>28</b>	<b>V 070 003 242 Link Assembly</b>	44	V 844 069 002 Stover Lock Nut
<b>14</b>	<b>V 070 003 158 Drive Link Assembly</b>	29	V 070 003 245 Screw	45	V 919 010 700 Retaining Ring
15	V 070 003 159 Tube	30	V 070 007 276 Rod	46	V 949 100 002 Washer

**Bold faced parts denote a Vantage value added engineering improvement - contact your distributor for details.**





## REPLACEMENT MOTORS FOR NATIONAL GEARBOXES

Vantage offers a wide variety of replacement motors for all National gearboxes. Consult the following chart to select the motor for your application.

**Order Part Numbers:**

V785 502 233

National B.E. Motor 60HZ

V785 502 234

National B.E. Motor 50HZ



## VANTAGE BACKEND MOTORS AND GEARBOXES WITH VENTED, REPLACEABLE MOTOR HEADS

New vented adaptor plates for the replaceable motor make the Vantage backend tops in cool operation, ease of maintenance, and service life. Order one today!



**Order Part Number:**

V 070 006 213

Vantage B.E. Motor L.H. 50HZ

V 070 006 216

Vantage B.E. Motor R.H. 50HZ (shown)

V 610 704 045

Vantage B.E. Motor L.H. 60HZ

V 610 704 047

Vantage B.E. Motor R.H. 60HZ (shown)



## GEARBOX KITS

### A Vantage Exclusive - "SPECIAL BLEND" GEARBOX OIL

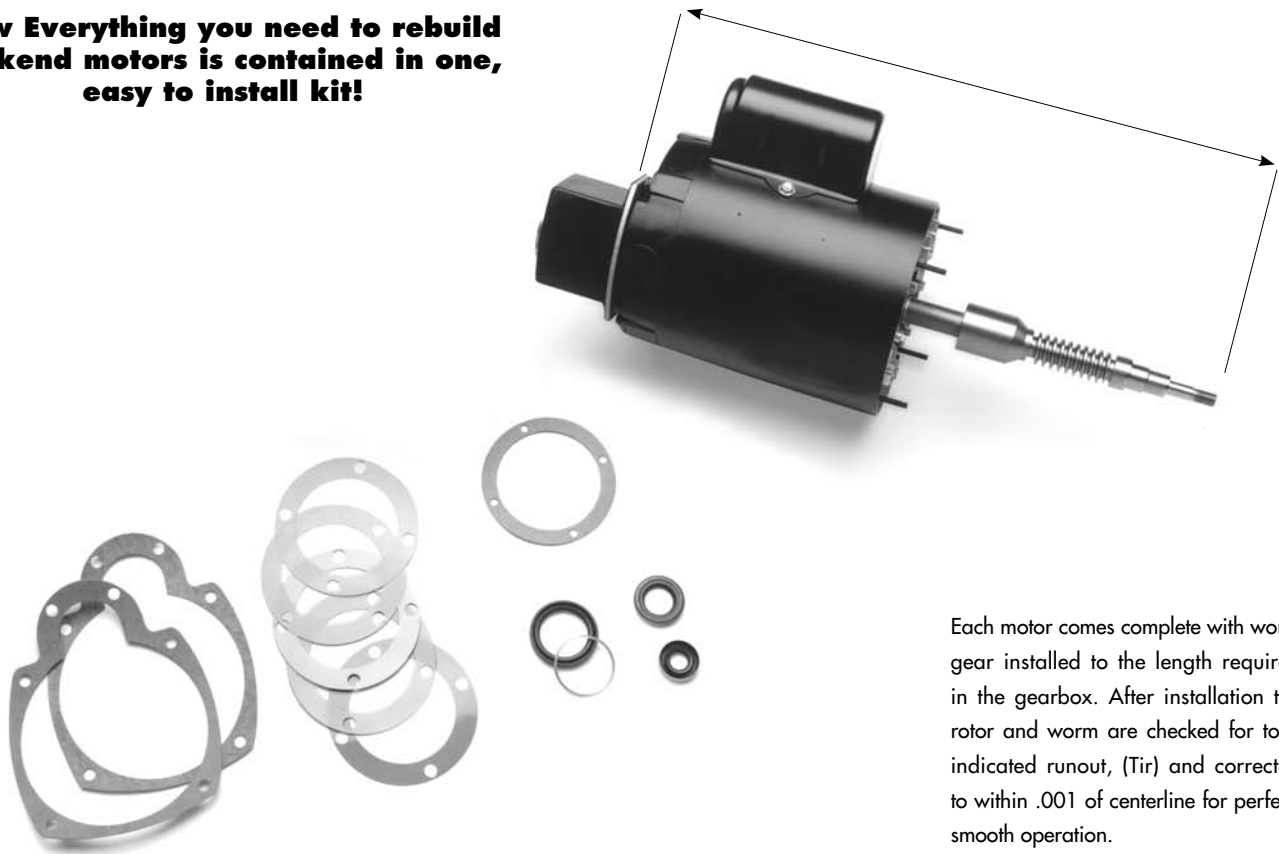
#### V 280 "Special blend" Gearbox oil

The use of proper lubrication in all pinspotter gearboxes can reduce wear and extend service life. Just making sure gearboxes have oil is an absolute must.

Vantage has specially compounded its new gearbox oil to deliver smooth, cool operation, under all bowling conditions. Conveniently packaged in 16 ounce bottles.



**Now Everything you need to rebuild  
backend motors is contained in one,  
easy to install kit!**



#### Order Part Numbers:

V 610 704 042 Kit  
V 610 704 043 Kit  
V 070 006 211 Kit  
V 070 006 212 Kit

Backend Motor Rebuild Kit L.H. 60HZ  
Backend Motor Rebuild Kit R.H. 60HZ  
Backend Motor Rebuild Kit L.H. 50HZ  
Backend Motor Rebuild Kit R.H. 50HZ

Each motor comes complete with worm gear installed to the length required in the gearbox. After installation the rotor and worm are checked for total indicated runout, (Tir) and corrected to within .001 of centerline for perfect, smooth operation.

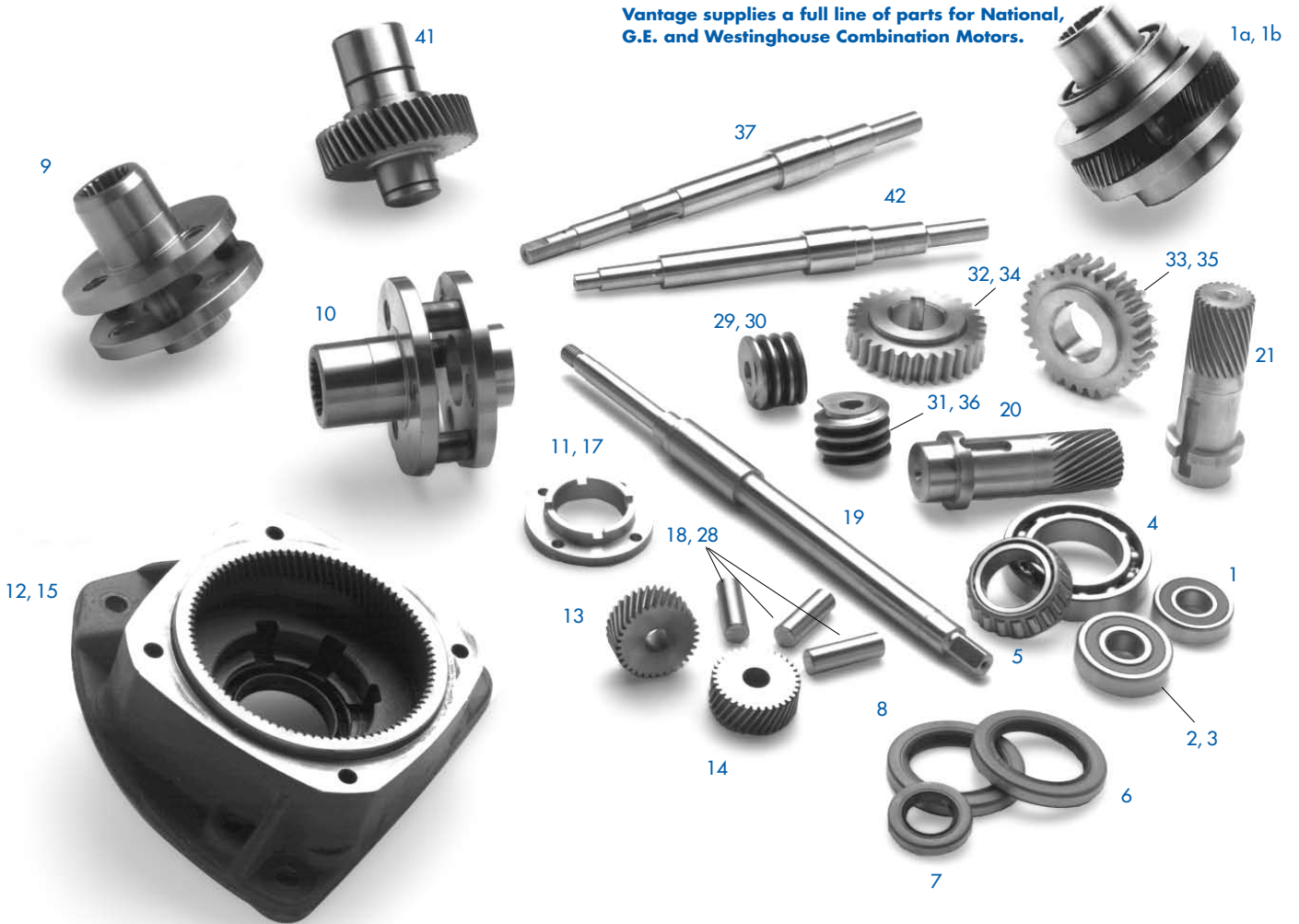
Vantage makes backend gearbox maintenance and service simple by supplying the most common service components all in one easy to install kit. Parts are precision assembled at Vantage to exacting standards.

**\* We Even Remembered To  
Send New Gearbox Oil!**



# Gearbox Components Table/Sweep Motors

Vantage supplies a full line of parts for National, G.E. and Westinghouse Combination Motors.



Part #	Description	Part #	Description	Part #	Description			
<b>1a</b>	<b>V 218</b>	<b>Gear Cage Assembly WEST w/Cage, Helical Gears, Spindles &amp; Bearings</b>	12	V 785 501 094	Cover Flanged w/Ring Gear GE	27	V 785 501 341	Worm Spacer Large - WEST *
<b>1b</b>	<b>V 219</b>	<b>Gear Cage Assembly G.E. w/Cage, Helical Gears, Spindles &amp; Bearings</b>	13	V 785 501 134	Helical Gear - WEST	28	V 785 501 343	Spindles 12.1 & 14.53 RPM GE
1	V 701 015 004	Wrm Shft OB Brng 12.1&14.53RPM-GE&WH	14	V 785 501 137	PlanetGearGE 12.1&14.53RPM	29	V 785 501 423	Worm (12.1 RPM) - WEST
2	V 701 021 010	Bearing G.E.	15	V 785 501 179	Cover Flgd w/Ring Gear WEST	30	V 785 501 426	Worm (12.1 RPM) - GE
3	V 701 021 014	Wrm Shft IB Brng 12.1&14.53RPM-GE&WH	16	V 785 501 223	Expansion Plug G.E. - WEST *	31	V 785 501 427	Worm (14.5 RPM) - WEST
4	V 701 077 015	Brng-Cage OB&IB 12.1&14.53RPM-GE&WH	17	V 785 501 228	Bearing Retainer - WEST	32	V 785 501 435	Worm Wheel - WEST 12.1 RPM
5	V 701 240 032	Brng Whl Shft OB&IB 12.1&14.53RPM-GE&WH	18	V 785 501 287	Planet Gear Shaft - WEST	33	V 785 501 437	Worm Wheel 14.5 RPM WEST
6	V 716 501 013	Seal OP Shaft G.E.	19	V 785 501 288	Rotor Shaft - WEST	34	V 785 501 438	Wheel 12.1 RPM GE
7	V 716 503 015	Oil Seal G.E. & WEST	20	V 785 501 291	Sun Gear & Shaft - WEST	35	V 785 501 543	Wheel 14.53 RPM GE
8	V 716 503 020	Oil Seal WEST	21	V 785 501 295	Wheel Shaft - G.E.	36	V 785 501 544	Worm (14.5 RPM) - GE
9	V 785 501 048	Gear Cage WEST	21a	V 785 501 300	Shim *	37	V 785 502 008	Shaft National Motor, Combo
10	V 785 501 050	Cage w/Spndle Brngs GE	21b	V 785 501 302	Shim Set Bearing Cap *	41	V 785 502 055	Gear and Shaft, Combo Motor
11	V 785 501 067	Cap-Worm Shaft Seal G.E.	23	V 785 501 305	Shims IB Wrm Brng 12.1&14.53RPM GE *	42	V 785 502 085	Shaft National Motor, Back End
			23a	V 785 501 312	Shims OB Wheel Bearing *	43	V 809 839 080	Cap Screw-Seal Cap G.E. & WEST *
			24	V 785 501 336	Spacer Worm OB 12.1&14.53RPM GE *	44	V 838 669 002	Flexloc Nut G.E. & WEST *
			25	V 785 501 337	Worm Spacer Small - WEST *	45	V 907 200 600	Key, Worm G.E. & WEST *
			26	V 785 501 338	Spacer Worm IB 12.1&14.53RPM GE *	46	V 907 201 700	Sun Gear Key *
						47	V 907 201 800	Key, Wheel G.E. *
						48	V 951 138 000	Lock Washer Seal Cap-G.E. & WEST

\*Not Shown

**Bold faced parts denote a Vantage value added engineering improvement - contact your distributor for details.**

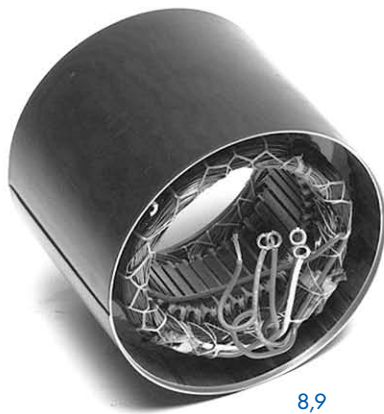
# Motors, Gearboxes & Stators for 82-70 Applications.

**It's about time!** The time it takes to send motors, gearboxes and other components in for exchange, replacement or repair. Now you can buy the assembly you need and install it yourself. No waiting, No down-time, No hassle!! Our gearbox is made at our plant in Denver, Colorado and assembled with components made

in the USA to original specifications. Our motors and stators are designed to interchange with Westinghouse original gearboxes and components, and are available in 110V/60HZ and 220V/50HZ. Complete Vantage gearboxes are also available in 110V/60HZ and 220V/50HZ in both 14.5 and 12.1 RPM outputs.



**Motor Crank**  
V 030 003 943



Order Part #'s  
(5) - V 070 100 508-P 115V/60HZ  
(7) - V 070 100 509-P 230V/50HZ  
With plug and receptacle attached.

Part #	Description
1	V 000 025 590 Housing
2	V 000 027 655 Male Receptacle 5 Prong
3	V 070 006 219 Motor & Gearbox 230V/50HZ Combo, 14.5 RPM Output
4	V 070 100 508 Motor 115V/60HZ Combo
5	V 070 100 508-P Motor and Plug Assembly 115V/60HZ

Part #	Description
6	V 070 100 509 Motor 230V/50HZ Combo
7	V 070 100 509-P Motor and Plug Assembly 230V/50HZ
8	V 070 100 511 Stator Only 230V/50HZ Combo
9	V 070 100 512 Stator Only 115V/60HZ Combo

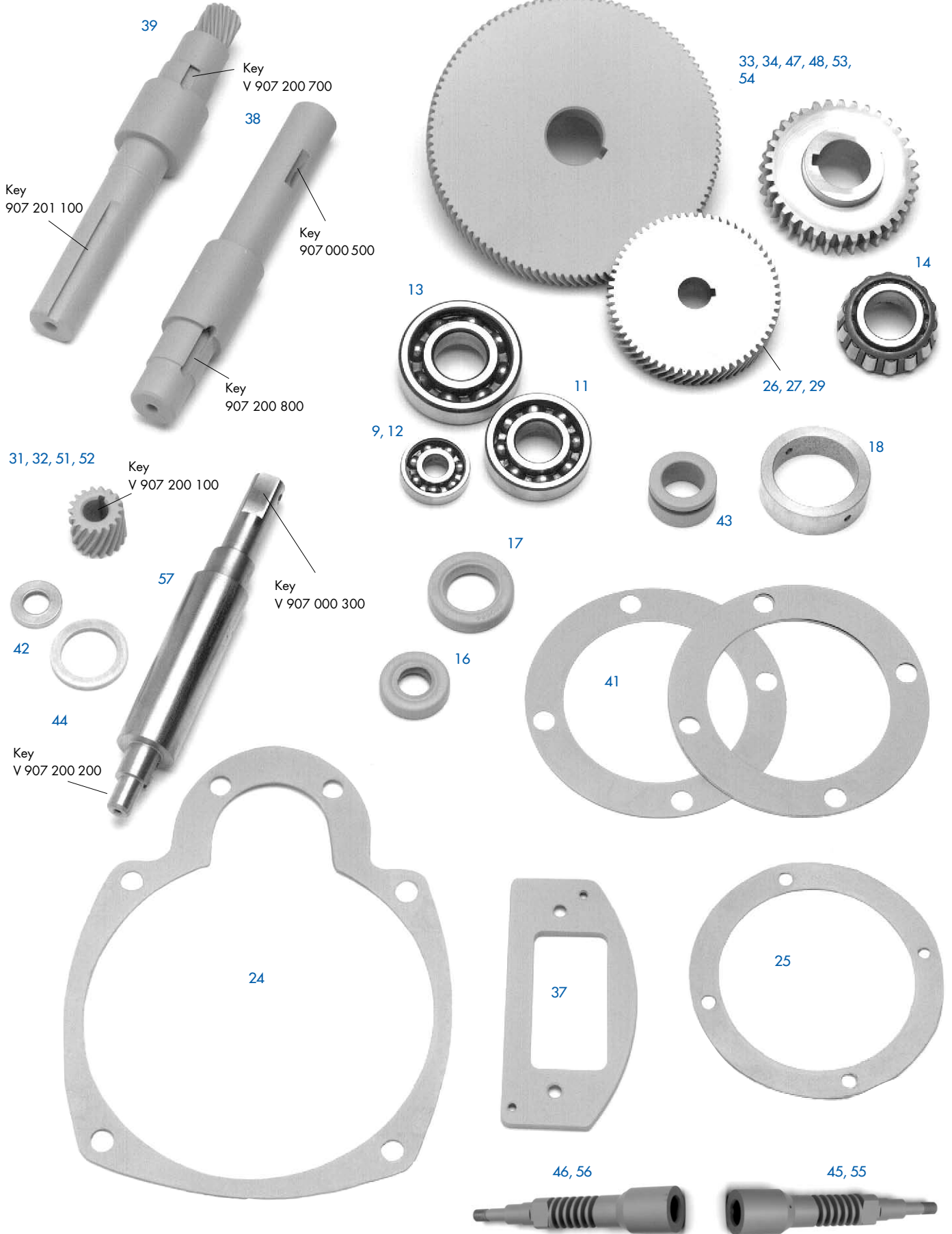
Part #	Description
9a	V 070 100 512 K Stator & End Ball Kit 115V/60HZ
10	V 610 704 052 Motor & Gearbox 115V/60HZ Combo, 12.1 RPM Output
11	V 785 501 031 End Bell 70 Combo WEST





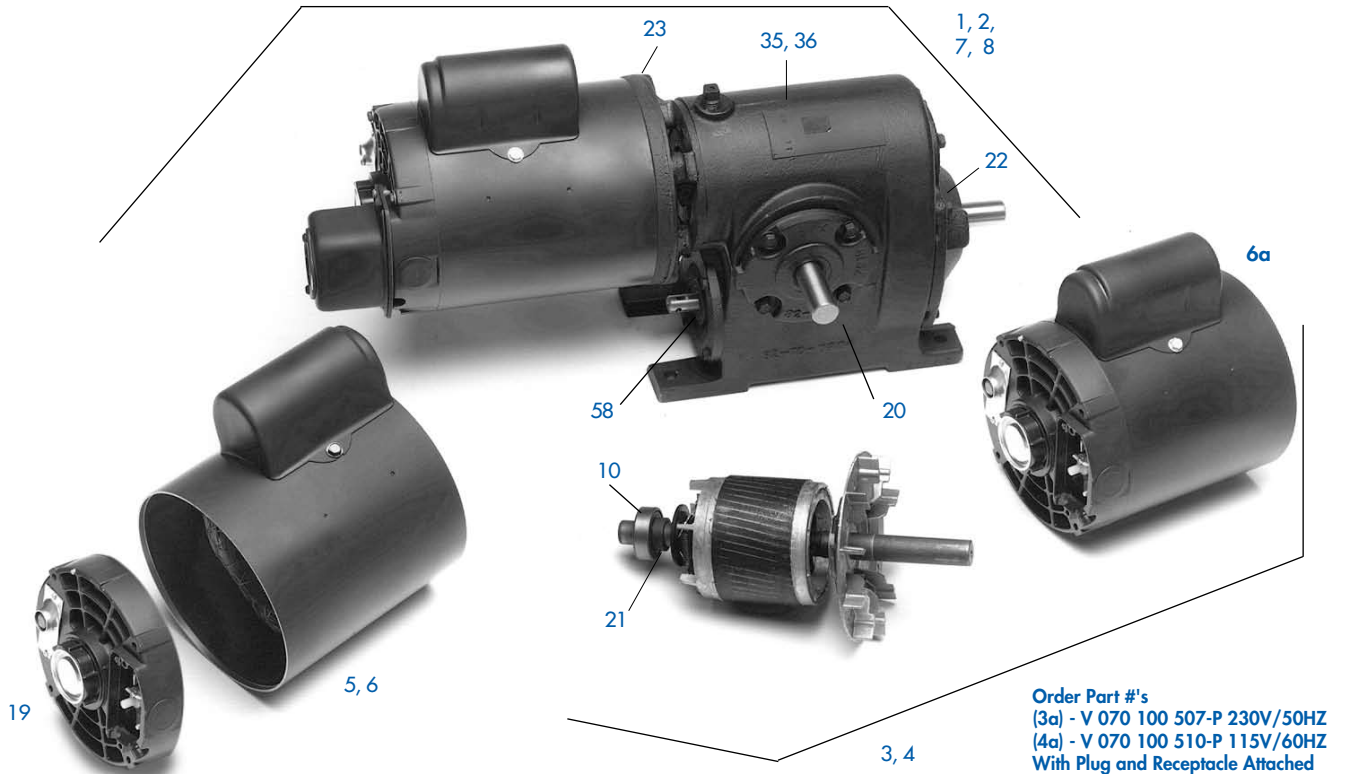
Popular Replacement Keys are Identified

28, 30, 49, 50





# Backend Motors, Gearboxes & Stators for 82-70 Westinghouse / A. O. Smith Applications.



Order Part #'s  
 (3a) - V 070 100 507-P 230V/50HZ  
 (4a) - V 070 100 510-P 115V/60HZ  
 With Plug and Receptacle Attached

Part #	Description
1	V 070 006 211 B.E. Motor & Gearbox 50HZ L.H. shown
2	V 070 006 212 B.E. Motor & Gearbox 50HZ R.H.
3	V 070 100 507 Motor 230V/50HZ B.E.
<b>3a</b>	<b>V 070 100 507-P Motor and Plug Assembly 230V/50HZ</b>
4	V 070 100 510 Motor 115V/60HZ B.E.
<b>4a</b>	<b>V 070 100 510P Motor and Plug Assy. 115V/60HZ</b>
5	V 070 100 513 Stator Only 230V/50HZ B.E.
6	V 070 100 514 Stator Only 115V/60HZ B.E.
<b>6a</b>	<b>V 070 100 514-K Stator &amp; End Ball Kit 115V/60HZ B.E.</b>
7	V 610 704 042 B.E. Motor & Gearbox 60HZ L.H. shown
8	V 610 704 043 B.E. Motor & Gearbox 60HZ R.H.
9	V 701 011 003 Bearing Dist. Shaft IB
10	V 701 020 091 Bearing, Motor O.P.E.
11	V 701 021 008 Bearing
12	V 701 025 003 Bearing
13	V 701 025 011 Bearing
14	V 701 224 030 Bearing
15	V 716 501 009 Seal, Worm Shaft (Not Shown)
16	V 716 503 022 Seal
17	V 716 503 023 Seal
18	V 785 501 014 Bushing - A.O. Smith

Part #	Description
19	V 785 501 015 End Bell - 70 B.E. A.O. Smith
20	V 785 501 066 Wheel Cap
21	V 785 501 079 Collar
22	V 785 501 095 Cover
23	V 785 501 104 Adaptor
24	V 785 501 106 Gasket
25	V 785 501 108 Gasket - Distributor Cap
26	V 785 501 117 Gear Distributor Output Y17&Y18 G.E.
27	V 785 501 122 Gear Distributor Output Y11&Y12 G.E.
28	V 785 501 124 Gear - Offset Output R.H. 60HZ
29	V 785 501 125 Gear Distributor Output - WEST 50HZ & 60HZ
30	V 785 501 126 Gear, Offset Output L.H. 60HZ
31	V 785 501 131 Gear, Offset Pinion L.H. 60HZ
32	V 785 501 132 Gear, Offset Pinion R.H. 60HZ
33	V 785 501 146 Gear Wheel LH - G.E.
34	V 785 501 147 Gear Wheel RH - G.E.
35	V 785 501 177 Housing R.H.
36	V 785 501 178 Housing L.H.
37	V 785 501 208 Adaptor Plate
38	V 785 501 297 Shaft 50HZ & 60HZ G.E. & WEST
39	V 785 501 298 Wheel Shaft Output 50HZ & 60HZ

Part #	Description
40	V 785 501 308 Shims, IB - Wheel Bearing *
41	V 785 501 310 Shim Set OB Wheel Bearing
42	V 785 501 331 Spacer, Distributor Output Shaft
43	V 785 501 342 Spacer, Worm Shaft
44	V 785 501 398 Washer
45	V 785 501 430 Gear, Worm & Shaft L.H. 60HZ (Even)
46	V 785 501 431 Gear, Worm & Shaft R.H. 60HZ (Odd)
47	V 785 501 434 Gear Wheel RH - WEST
48	V 785 501 439 Gear Wheel LH - WEST
49	V 785 501 514 Gear, Offset Output L.H. 50HZ
50	V 785 501 515 Gear, Offset Output R.H. 50HZ
51	V 785 501 516 Gear, Offset Pinion L.H. 50HZ
52	V 785 501 517 Gear, Offset Pinion R.H. 50HZ
53	V 785 501 525 Gear Wheel L.H. 50HZ
54	V 785 501 526 Gear Wheel R.H. 50HZ
55	V 785 501 551 Gear Worm & Shaft L.H. 50HZ
56	V 785 501 552 Gear Worm & Shaft R.H. 50HZ
57	V 785 501 621 Shaft Distributor Output - G.E. & WEST
58	V 785 501 662 Cap, Distributor Output

\* Part not shown

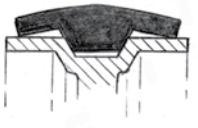


### Ball Return Nightmares are Over with New Belts from Vantage



**WRONG #1**

A wide deep pulley with a narrow shallow belt will cause a cupping effect to the belt. This will cause the "V" to separate from the flat part of the belt.



**WRONG #2**

A narrow shallow pulley with a wide deep belt will cause a crowning effect. This will cause the belts to run off the pulleys and throw bowling balls to one side or the other.



**RIGHT**

When the Pulleys and Ball Lift Belts are matched it allows for proper tracking of the Belt. This will substantially increase the belt life and improve the belts driving capabilities. The proper tracking to the bowling ball will keep the Ball Lift Assembly returning balls for years.

Sure-Pik and ball lift problems are cured with Vantage's new rubber compound designed specifically for bowling ball returns. To fully employ its increased friction we've returned to a flat belt surface. This is more efficient than a concave surface in ball transfer. Try one you'll be glad you did!!!

### New Ball Lift Design that Actually Works

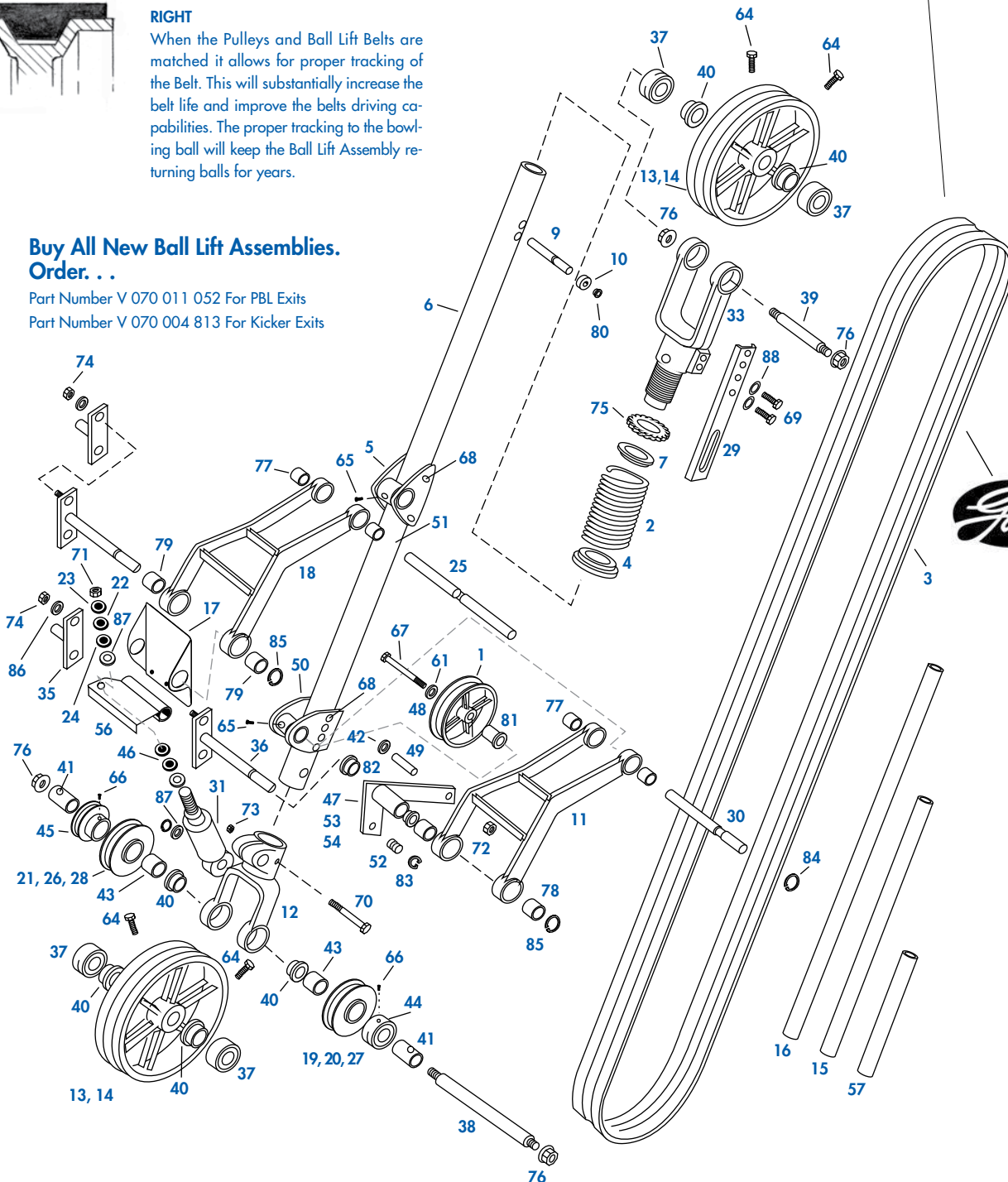


Consult page 6

### Buy All New Ball Lift Assemblies. Order . . .

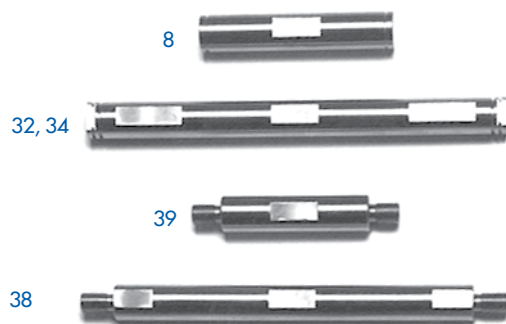
Part Number V 070 011 052 For PBL Exits

Part Number V 070 004 813 For Kicker Exits

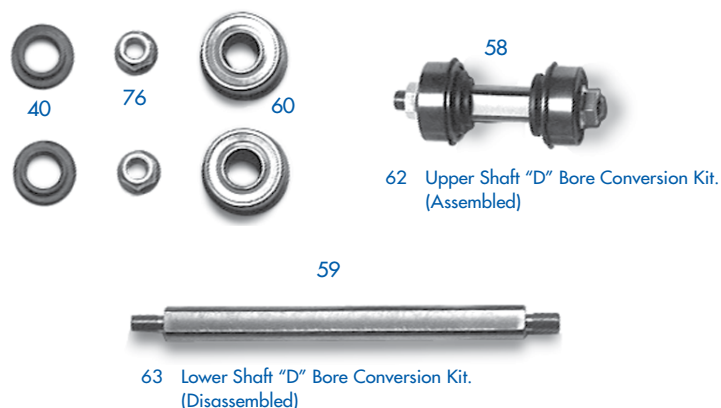




High Quality Stress Proof/  
Fatigue Proof Shafting  
Assures Longer Ball Shaft Life



Frozen Bearings? Excessive Shaft Wear?  
Try Our "D" Bore Conversion Kits!



Part #	Description
<b>1</b>	<b>V 000 021 408 Idler Pulley Assembly</b>
2	V 000 024 603 Spring
3	V 000 024 604 Belt, Narrow Shallow Groove
4	V 000 024 605 Lower Retainer
5	V 000 024 606 Support
6	V 000 024 607 Tube
7	V 000 024 608 Upper Retainer
8	V 000 024 645 Upper Shaft
9	V 000 024 648 Pivot Pin
10	V 000 024 650 Roller Assembly
<b>11</b>	<b>V 000 024 651 Link Assembly Lower</b>
<b>12</b>	<b>V 000 024 659 Yoke Lower</b>
<b>13</b>	<b>V 000 024 661 Belt Pulley for part</b>
<b>14</b>	<b>V 000 024 661-5 Belt Pulley for part # 3</b>
<b>15</b>	<b>V 000 024 663 Upper Track Cover, Urethane</b>
<b>16</b>	<b>V 000 024 663-4 Complete Track Cover 55" Long</b>
17	V 000 024 716 Spring Holder
<b>18</b>	<b>V 000 024 720 Link Assembly Upper</b>
19	V 000 024 811 Ball Return Pulley 5" R.H.
20	V 000 024 811-2 Sheave - Ball Lift 5"
21	V 000 024 812 Ball Return Pulley 5" L.H.
22	V 000 027 996 Rubber Cushion
23	V 000 027 998 Retainer
24	V 000 028 057 Cushion Guide Retainer
25	V 000 028 737 Pivot Shaft
26	V 000 028 771 Sheave-Ball Lift 4"
27	V 000 028 772 Ball Return Pulley 4" R.H.
28	V 000 028 773 Ball Return Pulley 4" L.H.
29	V 000 029 613 Rail
30	V 000 029 660 Shaft - Ball Lift

Part #	Description
31	V 000 029 661 Shock Absorber
32	V 030 008 780 Lower Shaft, 8 3/4" Long
<b>33</b>	<b>V 070 001 995 Yoke Upper</b>
34	V 070 002 175 Lower Shaft, 8 1/2" Long
34a	V 070 004 813 Ball Lift Assembly for Kicker Exits
35	V 070 006 320 Shaft Ball Lift Adj. 9 1/2"-11"
36	V 070 006 325 Shaft Ball Lift Fix, 9 1/2"-11"
37	V 070 006 699 Ball Bearing
38	V 070 006 746 Lower Shaft
39	V 070 006 747 Upper Shaft
40	V 070 006 748 Clutch Spacer
41	V 070 006 749 Clutch Race
42	V 070 007 192 Washer
43	V 070 007 291 Clutch Bearing
44	V 070 008 210 Sheave
45	V 070 008 211 Sheave
46	V 070 008 212 Spacer
47	V 070 008 215 Belt Tightener Weldment
48	V 070 008 217 Spacer
49	V 070 008 218 Spacer
50	V 070 011 002 Support
51	V 070 011 004 Tube and Support Assembly
52	V 070 011 040 Roller
53	V 070 011 041 Belt Tightener Weldment Assembly
54	V 070 011 042 Belt Tightener Assembly, Complete
55	V 070 011 052 Ball Lift Assembly
56	V 070 011 289 Shock Absorber Bracket
<b>57</b>	<b>V 070 011 440 Lower Track Cover, Urethane</b>
58	V 070 011 795 Upper Shaft "D" Bore
59	V 070 011 796 Lower Shaft "D" Bore

Part #	Description
60	V 070 011 797 "D" Bore Bearing
61	V 146 005 277 Countersunk Washer
62	V 610 704 150 Upper Shaft "D" Bore Conversion Kit
63	V 610 704 151 Lower Shaft "D" Bore Conversion Kit
64	V 806 265 160 Square Head Set Screw
65	V 807 265 060 Socket Head Set Screw
66	V 807 265 080 Socket Head Set Screw
67	V 808 849 565 Flat Head Socket Screw
68	V 809 849 365 Hex Head Cap Screw
69	V 809 865 165 Hex Head Cap Screw
70	V 809 865 445 Hex Head Cap Screw
71	V 831 566 002 Hex Nut
72	V 839 549 002 Flexloc Nut
73	V 839 665 002 Flexloc Nut
74	V 840 057 002 Flexloc Nut
75	V 845 100 000 Bearing Locknut
76	V 856 070 002 Flange Nut
77	V 900 110 121 Sleeve Bushing
78	V 900 112 161 Sleeve Bushing
79	V 900 112 203 Sleeve Bushing
80	V 900 206 081 Flange Bushing
81	V 900 208 161 Flange Bushing
82	V 900 212 161 Flange Bushing
83	V 919 005 200 Retaining Ring
84	V 919 005 600 Retaining Ring
85	V 919 005 800 Retaining Ring
86	V 948 761 112 Washer
87	V 948 983 212 Washer
88	V 951 164 002 Lock Washer-



VANTAGE NOW HAS 8 KICKER ROLLERS AND NEW REACTIVE RESIN BALLS!

2 Formulas:

Black

High Friction surface to grip balls under all oiling conditions. Soft enough to conform to the shape of any ball. Specially formulated

Red Blaster Red

for new "Reactive Resin" bowling balls. Softest kicker rollers available, yet offer excellent wear.

And 5 Shapes:

**1 Full Contact**  
 V 000 022 080-2 Black  
 V 000 022 080-6 "Red Blaster"

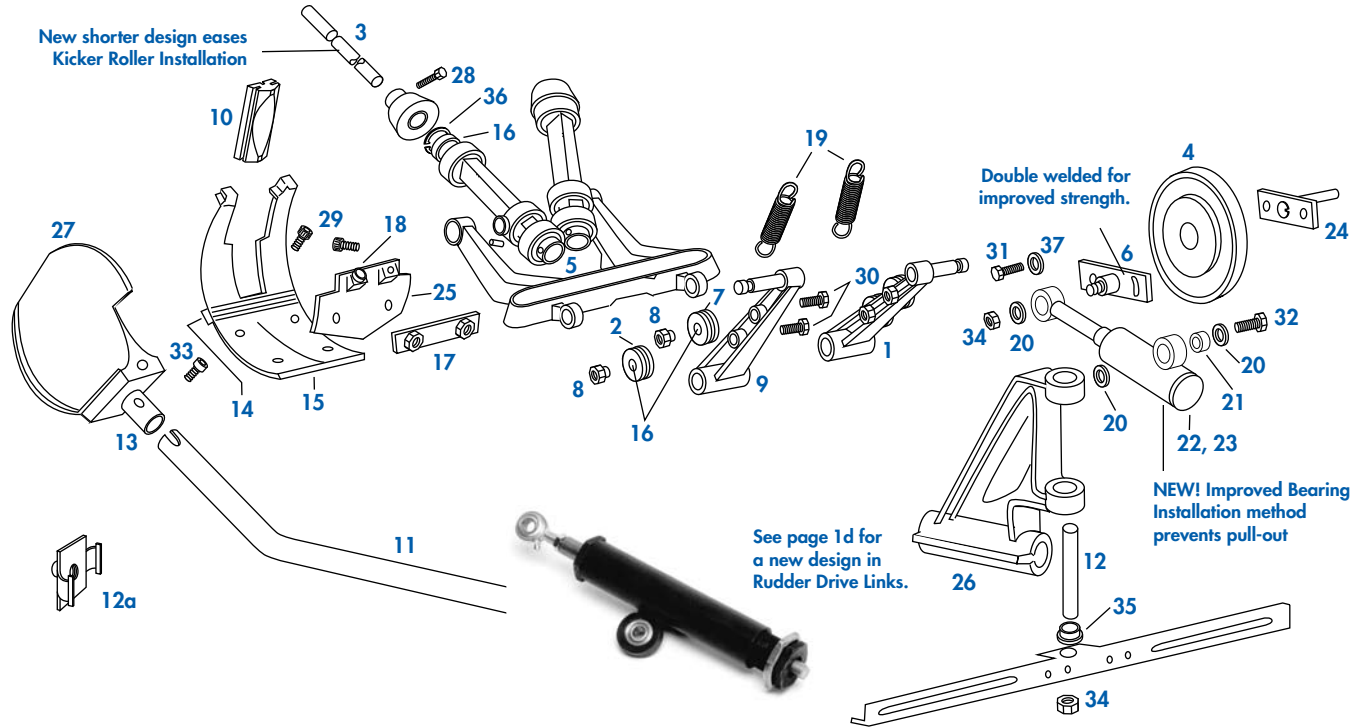
**2 The Football**  
 V 000 022 080-1 Black  
 V 000 022 080-5 "Red Blaster"

**3 Traditional Round**  
 V 000 022 080 Black  
 V 000 022 080-4 "Red Blaster"

**4 Fat Boy**  
 V 000 022 080-9 Black  
 V 000 022 080-10 "Red Blaster"

**5 Red Lighting**

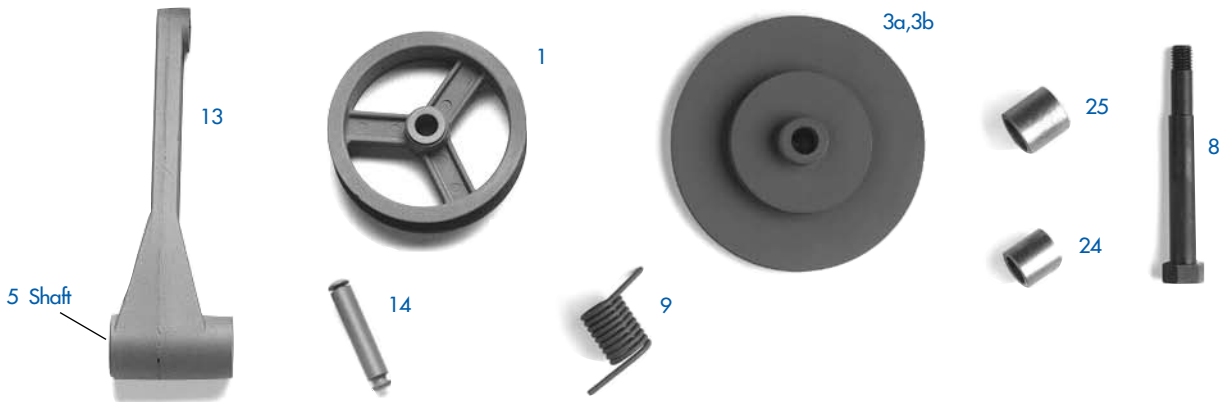
V 000 022 080-112 For Even Machines  
 V 000 022 080-111 For Odd Machines



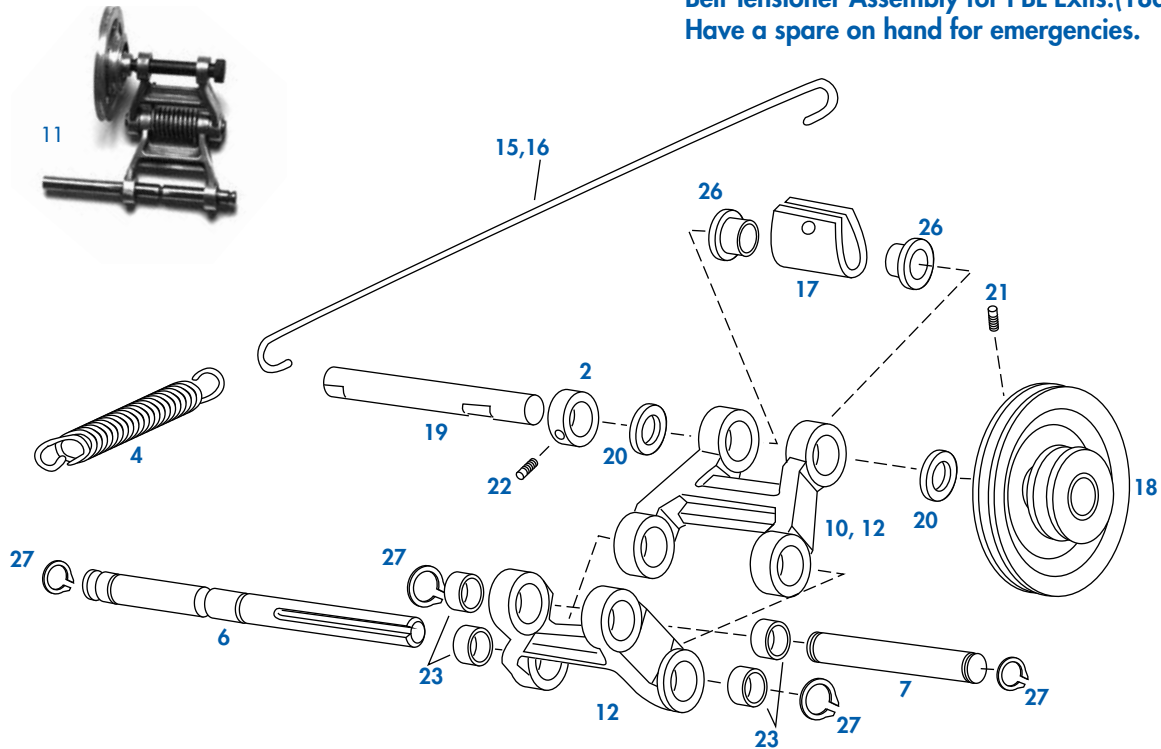
Part #	Description
<b>1</b>	<b>V 000 021 407 Idler Arm Assembly R.H.</b>
2	V 000 021 417 Idler Roller Assembly, Flat Bottom
3	V 000 022 077 Kicker Roller Drive Shaft
4	V 000 022 079 Pulley
5	V 000 022 082 Pulley
6	V 000 022 092 Crank Plate Weldment
7	V 000 022 096 Idler Roller Assembly, "V" Grooved
8	V 000 022 173 Special Nut
<b>9</b>	<b>V 000 022 218 Idler Arm Assembly L.H.</b>
<b>10</b>	<b>V 000 024 612 Starter Pad</b>
11	V 000 024 614 Rudder Arm
12	V 000 024 615 Shaft
12a	V 000 024 618 Nut Carriage Assembly

Part #	Description
13	V 000 024 622 Plug
14	V 000 024 628 Ball Return Assembly Pad
<b>15</b>	<b>V 000 024 678 Front Filler Pad</b>
16	V 000 024 679 Bearing
17	V 000 024 745 Nut Plate
18	V 000 025 638 Bumper
19	V 000 029 601 Spring
20	V 000 029 611 Uniball Washer
21	V 000 029 614 Uniball
22	V 000 029 671 Rudder Drive Link
23	V 000 029 671-A Adjustable Rudder Drive Link
24	V 000 029 695 Crank Shaft Weldment
<b>25</b>	<b>V 000 029 959 Rear Filler Pad</b>

Part #	Description
26	V 070 004 630 Rudder Arm Support
<b>27</b>	<b>V 070 011 408 Urethane Paddle</b>
28	V 806 657 080 Set Screw
29	V 808 957 160 Flat Head Socket Screw
30	V 809 849 145 Hex Head Cap Screw
31	V 809 857 205 Hex Head Cap Screw
32	V 809 865 245 Hex Head Cap Screw
33	V 809 865 405 Hex Head Cap Screw
34	V 839 665 002 Flexloc Nut
35	V 900 212 201 Flange Bushing
36	V 919 005 600 Retaining Ring
37	V 948 761 112 Washer



**V 070 011 132**  
**Belt Tensioner Assembly for PBL Exits.(18a)**  
 Have a spare on hand for emergencies.



Part #	Description	Part #	Description	Part #	Description
<b>1</b>	<b>V 000 021 408 Idler Pulley Assembly</b>	<b>11</b>	<b>V 000 029 657 Belt Tensioner Assembly for Kicker Exits</b>	20	V 701 320 045 Thrust Washer
2	V 000 021 423 Collar (With Set Screw)	<b>12</b>	<b>V 000 029 659 Hanger Arm Assembly</b>	21	V 807 257 060 Socket Head Set Screw
3a	V 000 022 063 Pulley	<b>13</b>	<b>V 070 001 411 Idler Arm Assembly</b>	22	V 807 357 040 Socket Head Set Screw
3b	V 000 022 064 Pulley Underdrive	14	V 070 002 072 Idler Shaft	23	V 900 110 081 Sleeve Bushing
4	V 000 026 031 Spring	15	V 070 011 034 Extension Rod	24	V 900 110 141 Sleeve Bushing, for old style Belt Tensioners
5	V 000 029 603 Shaft for V 070 011 411 Idler Arm Assembly	16	V 070 011 106 Spring Extension	25	V 900 110 161 Sleeve Bushing, for old style Belt Tensioners
6	V 000 029 605 Shaft	17	V 070 011 109 Spring Clip	26	V 900 210 101 Flange Bushing
7	V 000 029 606 Pivot Shaft-Short	<b>18</b>	<b>V 070 011 131 Pulley</b>	<b>27</b>	<b>V 919 005 600 Retaining Ring</b>
8	V 000 029 608 Shaft	<b>18a</b>	<b>V 070 011 132 Belt Tensioner Assy. for PBL Exits</b>		
9	V 000 029 609 Spring	19	V 070 011 133 Shaft		





# Vantage Makes All the Parts You Need to Service Light Ball Sensors

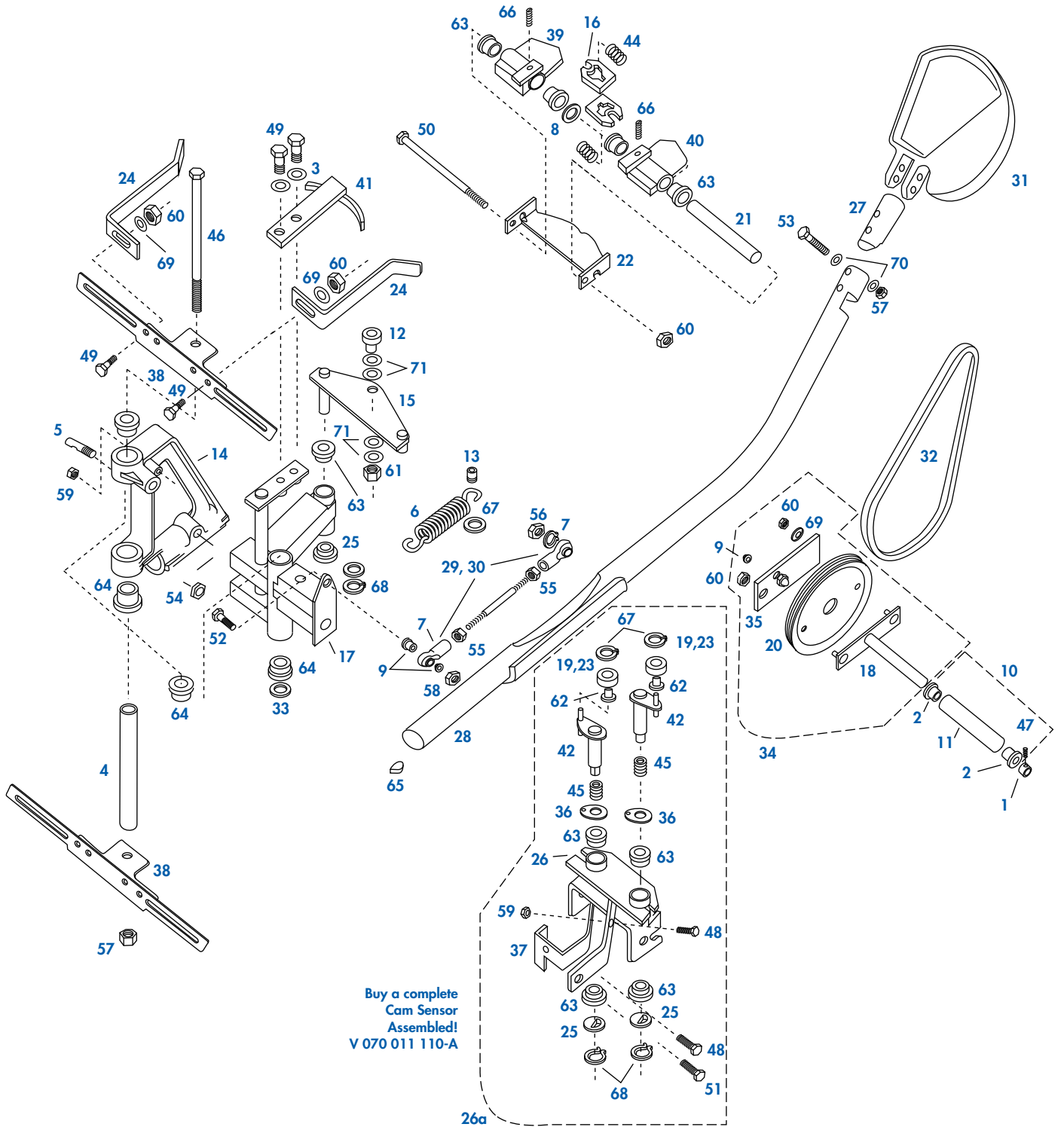


Part #	Description
1	V 000 021 423 Collar (With Set Screw)
2	V 000 021 427 Flange Bushing
3	V 000 022 869 Washer
4	V 000 024 615 Shaft
5	V 000 024 616 Clamp Stud
6	V 000 026 031 Spring
7	V 000 026 446 Rod End
8	V 000 027 264 Spacer
9	V 000 029 611 Uniball Washer
10	V 000 029 696 Tube Adjustment Assembly
11	V 000 029 697 Tube
12	V 070 006 728 Cam Follower
13	V 070 011 040 Roller
14	V 070 011 066 Rudder Arm Support Assembly
15	V 070 011 068 Link Weldment
16	V 070 011 077 Trip Finger
17	V 070 011 080 Rudder Drive Assembly
18	V 070 011 092 Crank Shaft Weldment
19	V 070 011 096 Roller
20	V 070 011 097 Crank Pulley
21	V 070 011 098 Sleeve
22	V 070 011 099 Cam
23	V 070 011 105 Roller Assembly
24	V 070 011 107 Trip Arm
25	V 070 011 108 Washer

Part #	Description
26	V 070 011 110 Cam Sensor Assembly
26a	V 070 011 110-A Cam Sensor Assembled
27	V 070 011 121 Plug
28	V 070 011 122 Rudder Arm
29	V 070 011 123 Rod Assembly
30	V 070 011 124 Rod
<b>31</b>	<b>V 070 011 146 PBL Paddle</b>
32	V 070 011 147 PBL Rudder Drive 38"
33	V 070 011 151 Spacer Rudder Drive
34	V 070 011 178 Rudder Drive Crank Assembly
35	V 070 011 225 Crank Adjustment Plate Weldment
36	V 070 011 273 Tab
37	V 070 011 299 Brace Sensor
38	V 070 011 319 Rudder Arm Support
39	V 070 011 406 RudderCam Weldment Assembly R.H.
40	V 070 011 407 RudderCam Weldment Assembly L.H.
40a	V 070 011 408 Urethane paddle
41	V 070 011 418 Cam Weldment
42	V 070 011 626 Trip Arm Assembly
43	V 610 700 122 Light Ball Sensor Assembly
44	V 722 971 522 Spring
45	V 722 985 512 Spring
46	V 802 865 996 Hex Head Bolt
47	V 807 357 040 Socket Head Set Screw
48	V 809 849 145 Hex Head Cap Screw

Part #	Description
49	V 809 857 165 Hex Head Cap Screw
50	V 809 857 880 Hex Head Cap Screw
51	V 809 865 165 Hex Head Cap Screw
52	V 809 865 205 Hex Head Cap Screw
53	V 809 865 405 Hex Head Cap Screw
54	V 831 573 002 Hex Nut
55	V 835 566 002 Hex Jam Nut
56	V 838 866 002 Flexloc Nut
57	V 839 565 002 Flexloc Nut
58	V 840 065 002 Thin Flexloc Nut
59	V 844 049 002 Stover Lock Nut
60	V 844 057 002 Stover Lock Nut
61	V 844 070 002 Stover Lock Nut
62	V 900 205 081 Flange Bushing
63	V 900 208 091 Flange Bushing
64	V 900 212 201 Flange Bushing
65	V 907 000 900 Key
66	V 913 448 120 Roll Pin
67	V 919 005 200 Retaining Ring
68	V 919 005 500 Retaining Ring
69	V 948 761 112 Washer
70	V 948 767 132 Washer
71	V 949 100 002 Washer

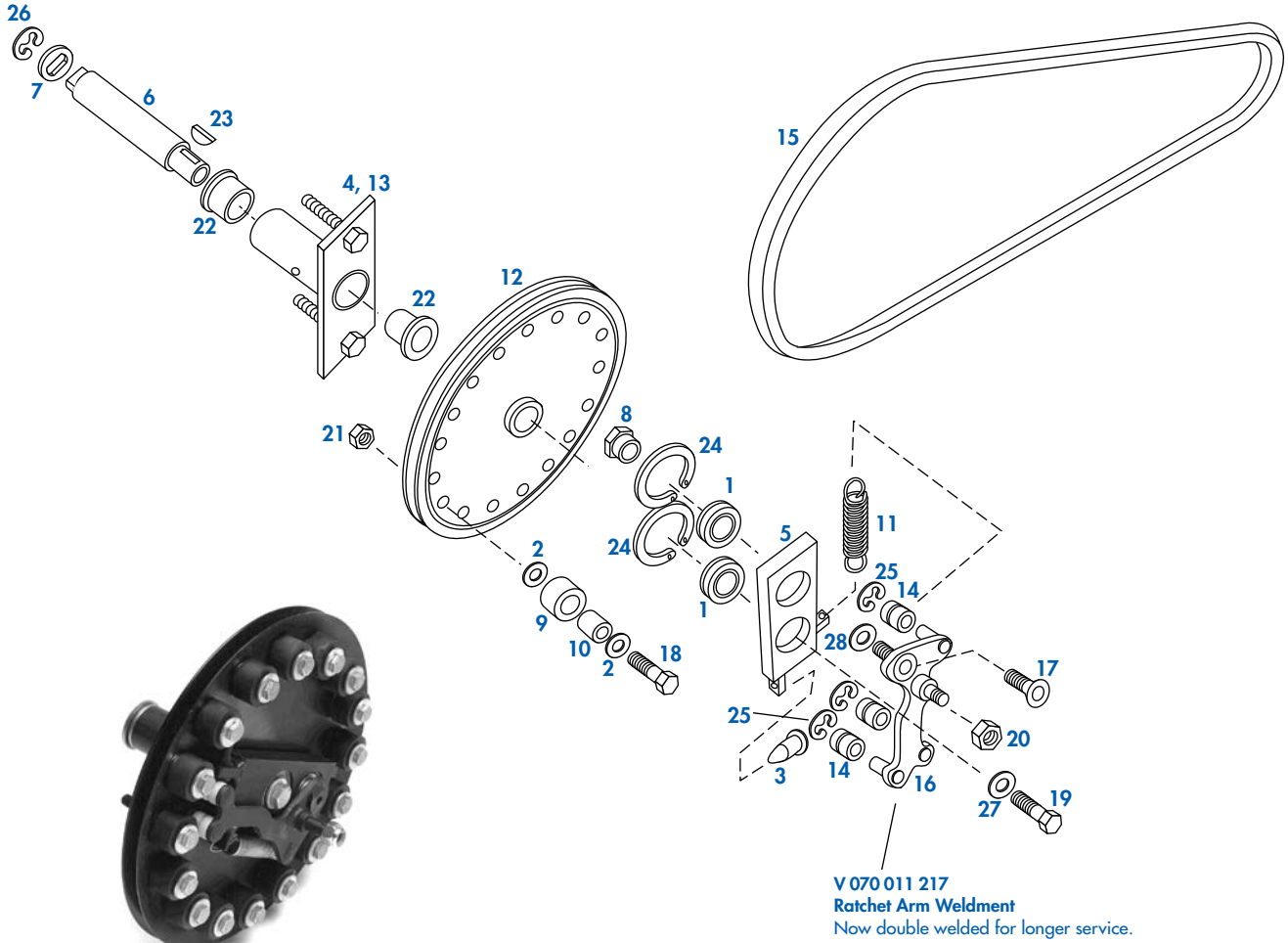
**Bold faced parts denote a Vantage value added engineering improvement - contact your distributor for details.**



**Order A Complete Assembly, Ready To Install  
V 610 700 122 Light Ball Sensor Assembly**



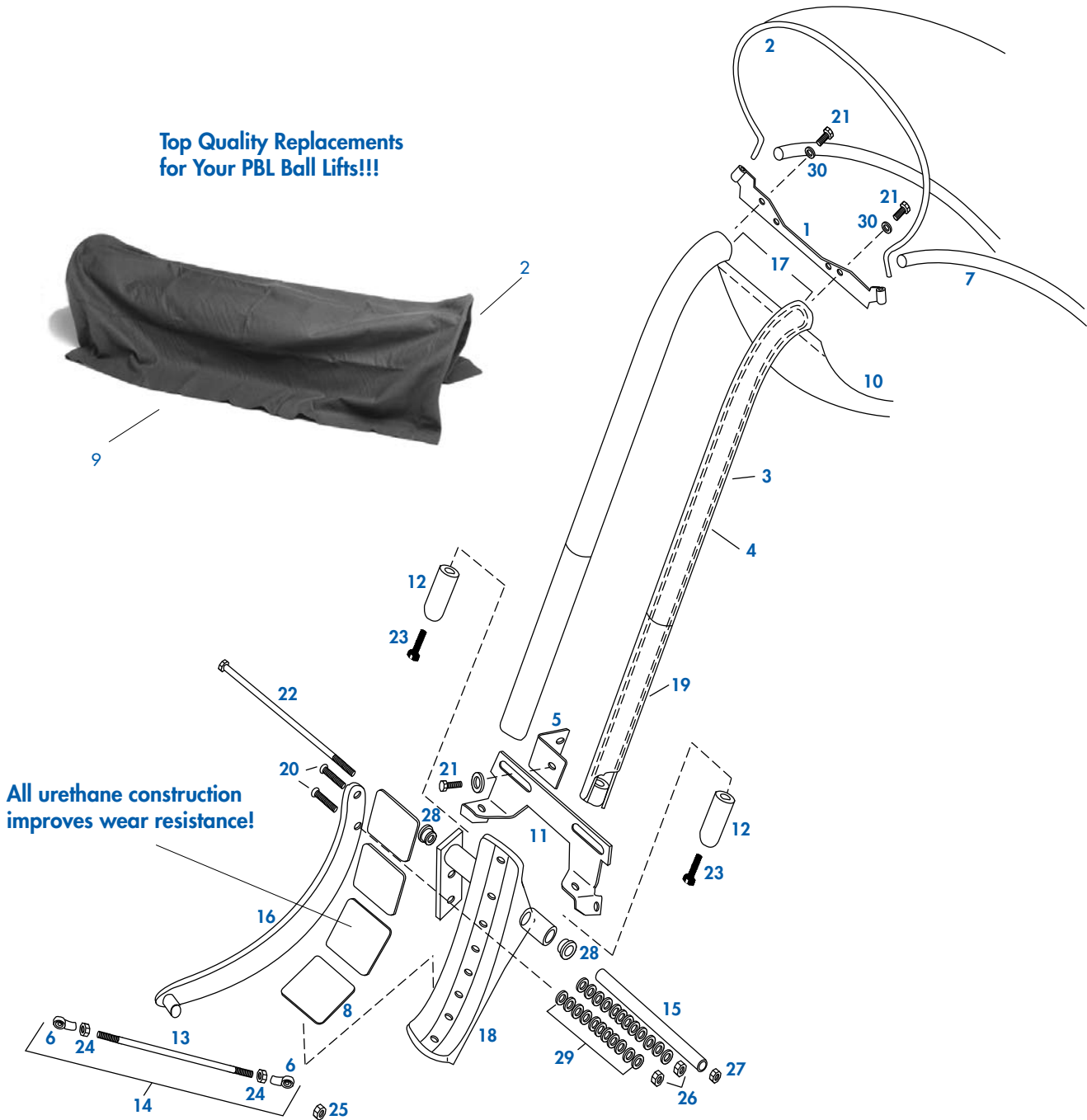
# Ratchet Drive Assembly



Buy a complete Ratchet Drive Assembly  
order Part # V 070 011 039

Part #	Description	Part #	Description	Part #	Description
1	V 000 024 679 Bearing	11	V 070 011 032 Spring	22	V 900 212 161 Flange Bushing
2	V 000 026 865 Washer	12	V 070 011 033 Pulley Ratchet	23	V 907 000 200 Key
<b>3</b>	<b>V 070 006 142 Bumper</b>	13	V 070 011 036 Bearing and Housing Assembly	24	V 919 000 600 Retaining Ring
4	V 070 011 009 Housing	<b>13a</b>	<b>V 070 011 039 Ratchet Drive Assembly</b>	25	V 919 005 200 Retaining Ring
5	V 070 011 013 Crank Weldment	14	V 070 011 040 Roller	26	V 919 005 800 Retaining Ring
6	V 070 011 027 Shaft-Ratchet Assembly	15	V 070 011 064 PBL Ratchet Drive 45"	27	V 948 767 132 Washer
7	V 070 011 028 Washer	<b>16</b>	<b>V 070 011 217 Ratchet Arm Weldment</b>	28	V 948 964 142 Washer
8	V 070 011 029 Nut Ratchet	17	V 808 865 140 Flat Head Socket Screw		
<b>9</b>	<b>V 070 011 030 Roller</b>	18	V 809 849 205 Hex Head Cap Screw		
10	V 070 011 031 Spacer-Roller	19	V 809 965 125 Hex Head Cap Screw		
		20	V 838 866 002 Flexloc Nut		
		21	V 839 549 002 Flexloc Nut		

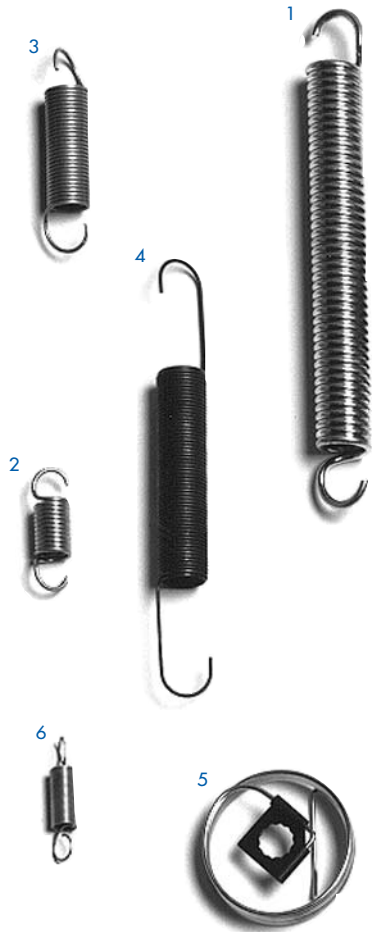
Top Quality Replacements  
for Your PBL Ball Lifts!!!



Part #	Description
1	V 000 021 813 Wiper Support
2	V 000 021 814 Ring
3	V 000 024 663 Upper Track Cover, Urethane
4	V 000 024 666 Track Rail Weldment
5	V 000 024 668 Track Support Bracket Weldment
6	V 000 026 446 Rod End
7	V 000 029 629 Downsweep Weldment
8	V 070 002 784 Spotting Cup Liner
9	V 070 004 669 Ball Wiper Cloth
10	V 070 004 670 Dust Trap Lower

Part #	Description
11	V 070 008 191 Bracket
12	V 070 011 018 Ball Guide
13	V 070 011 048 Rod
14	V 070 011 049 Rod Assembly
15	V 070 011 063 Shaft
16	V 070 011 218 Lever Arm Weldment
17	V 070 011 279 Track Assembly
18	V 070 011 412 PBL Lift Arm Assembly
19	<b>V 070 011 440 Lower Track Cover, Urethane</b>
20	V 808 857 280 Flat Head Socket Screw

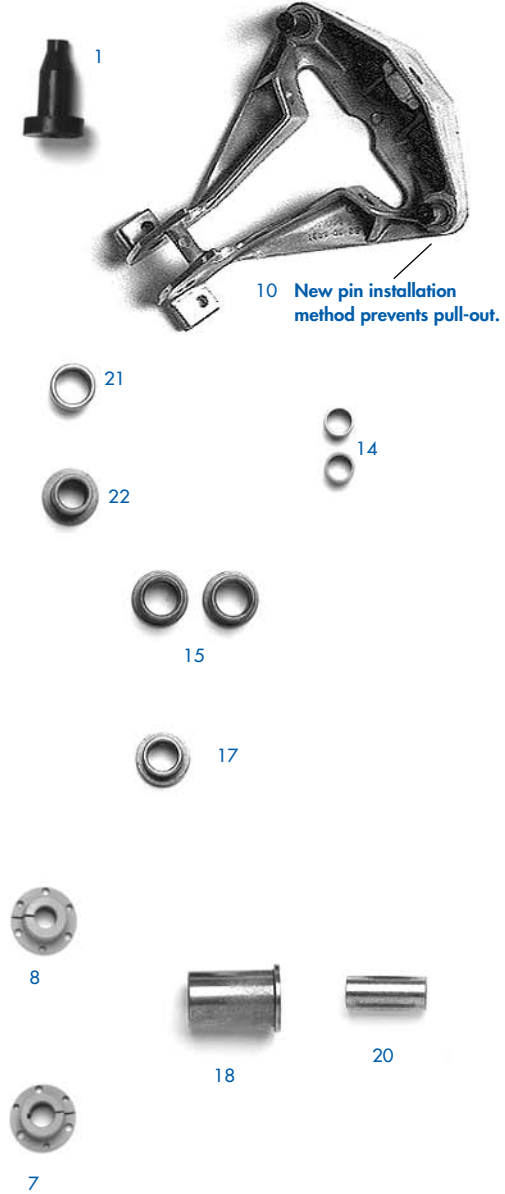
Part #	Description
21	V 809 865 165 Hex Head Cap Screw
22	V 809 865 992 Hex Head Cap Screw
23	V 810 365 401 Socket Head Cap Screw Long Loc
24	V 835 566 002 Hex Jam Nut
25	V 838 866 002 Flexloc Nut
26	V 844 057 002 Stover Lock Nut
27	V 844 065 002 Stover Lock Nut
28	V 900 210 161 Flange Bushing
29	V 948 767 132 Washer
30	V 951 164 002 Lockwasher



82-30 Pin Elevator Replacements



Top Quality Replacements for 82-30 Housing Assemblies



Part # Description

Springs for 82-30 Applications

- 1 V 000 021 204 Spring
- 2 V 000 021 431 Spring - Switch Lever
- V 000 022 168 Spring
- V 000 024 657 Spring
- V 000 024 673 Spring
- 3 V 000 026 031 Spring - Belt Tensioner
- 4 V 000 026 032 Spring - Lateral Drive
- 5 V 000 028 237 Spring - Assembly Clutch
- V 000 029 202 Spring - Pin Elevator Wick
- 6 V 000 029 508 Spring - Respot Switch
- V 000 029 601 Spring - Ball Kicker
- V 000 029 609 Spring
- V 030 003 227 Spring - Latch Assembly
- V 030 003 248 Spring Pin Assembly - Clamp
- V 030 003 449 Spring Index
- V 030 003 451 Spring - Respot Latch
- V 030 003 903 Spring - Gate Assembly

Part # Description

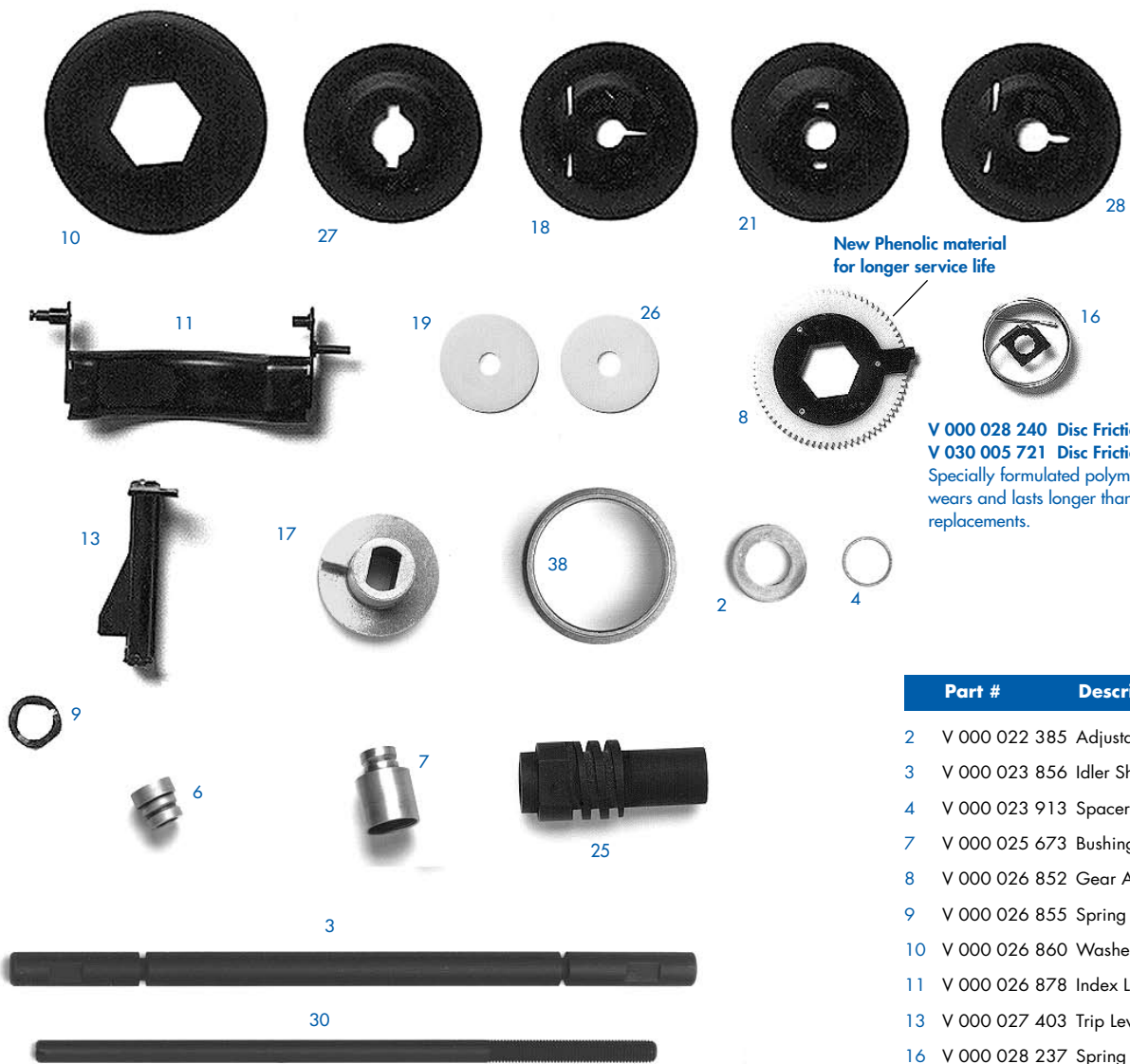
Pin Elevator

- 1 V 000 028 362 Plug**
- 3 V 030 001 121 Bushing
- 4 V 030 001 690 Stud
- 5 V 030 001 694 Washer
- 6 V 030 004 517 Bushing
- 7 V030 006 456 Carpet Roller Hub 7/8"
- 8 V 030 006 457 Carpet Roller Hub 3/4"
- 9 V 030 006 622 Ring Weldment
- 10 V 030 006 631 Housing**

Part # Description

- 12 V 030 006 663 Roller
- 14 V 030 007 850 Sleeve Bushing
- 15 V 030 008 166 Flange Bushing
- 17 V 701 411 086 Flange Bushing
- 18 V 701 416 087 Flange Bushing
- 19 V 900 105 061 Sleeve Bushing
- 20 V 900 105 161 Sleeve Bushing
- 21 V 900 106 041 Sleeve Bushing
- 22 V 900 205 061 Flange Bushing





New Phenolic material for longer service life

V 000 028 240 Disc Friction 37/64" I.D.  
 V 030 005 721 Disc Friction 47/64" I.D.  
 Specially formulated polymer construction wears and lasts longer than traditional fiber replacements.

Part #	Description
--------	-------------

2	V 000 022 385 Adjustable Spacer/
3	V 000 023 856 Idler Shaft
4	V 000 023 913 Spacer
7	V 000 025 673 Bushing
8	V 000 026 852 Gear Assembly
9	V 000 026 855 Spring Washer
10	V 000 026 860 Washer Cup
11	V 000 026 878 Index Lever Assembly
13	V 000 027 403 Trip Lever Assembly
16	V 000 028 237 Spring
17	V 000 028 238 Friction Plate Cam
18	V 000 028 239 Clutch Plate
19	<b>V 000 028 240 Disc Friction 37/64" Hole Diameter</b>
21	V 000 028 316 Clutch Plate 37/64" Hole Diameter
23	V 030 005 660 Belt Pin
24	V 030 005 661 Belt Lacing
25	V 030 005 670 Worm Clutch
26	<b>V 030 005 721 Disc Friction 47/64" Hole Diameter</b>
27	V 030 005 722 Friction Flange 47/64" Hole Diameter
28	V 030 005 723 Friction Flange 1/2" Hole Diameter
30	V 030 007 133 Shaft
31	<b>V 030 007 633 High Grip Dist. Belt</b>
32	<b>V 030 007 633-C Standard Dist. Belt</b>
33	<b>V 030 007 633-R Rough Top Dist. Belt</b>
38	V 701 436 064 Flange Bushing

## Distributor Belts

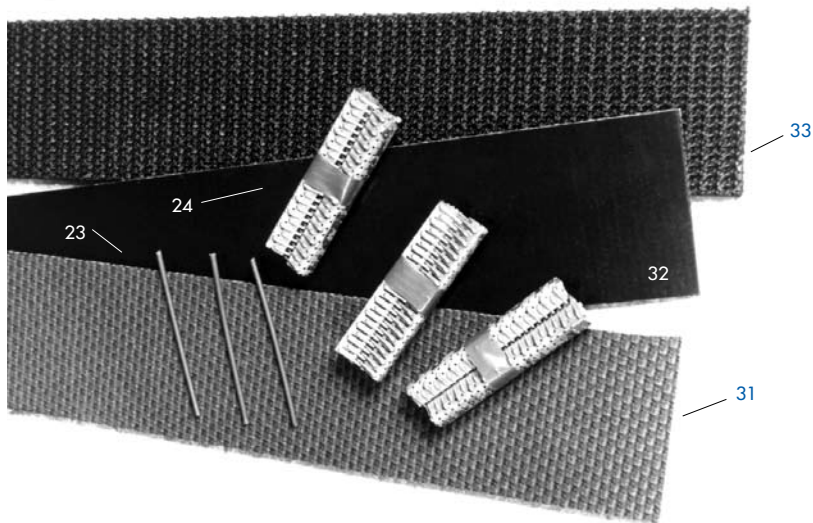
### High Grip Dist. Belt (31)

High grip design offers a "sticky" surface that grabs and moves pins NOW!

### Rough Top Dist. Belt (33)

Rough top design features an aggressive tread (shown) for a high friction surface.

### Standard Dist. Belt (32)



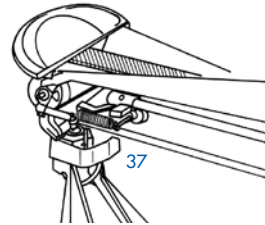


**V 030 008 309**  
**Track Support Bracket Short**  
 Precision tooling provides perfect interchangeability and excellent part service. Newer style, effective on machines with serial number 64023 and up.

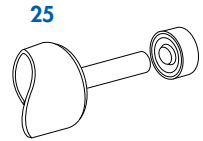


35

**V 210**  
**Guard for SW-4 Switch (37)**  
 This specialty part for 82 - 30 machines is designed to cover the SW-4 switch and prevent it from breaking when struck by pins. It's not available from AMF.



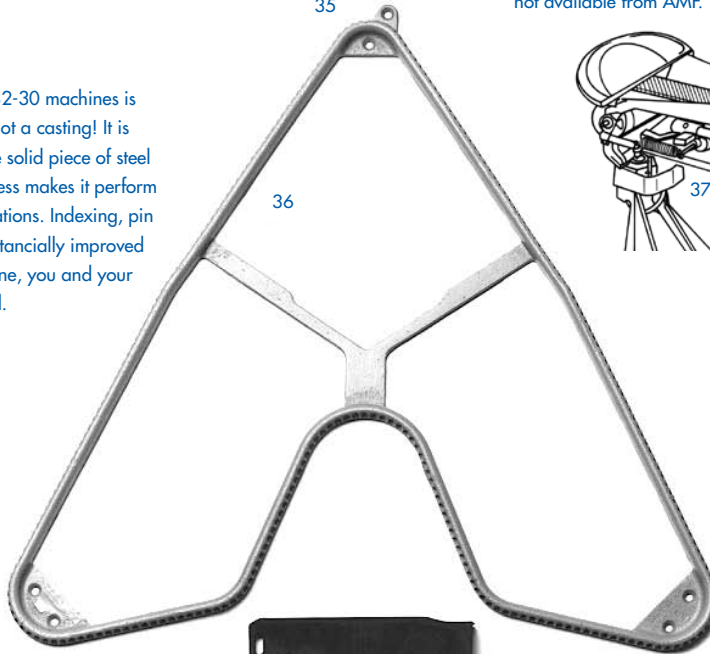
37



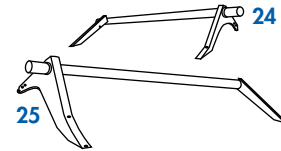
25

**V 030 008 310**  
**Distributor Track without Ears**

Our new distributor track for 82-30 machines is not a casting. That's right it's not a casting! It is completely machined from one solid piece of steel to exact dimensions. This process makes it perform like a precision gear in all locations. Indexing, pin distribution and wear are substantially improved over other replacements. Try one, you and your machines, will be glad you did.



36

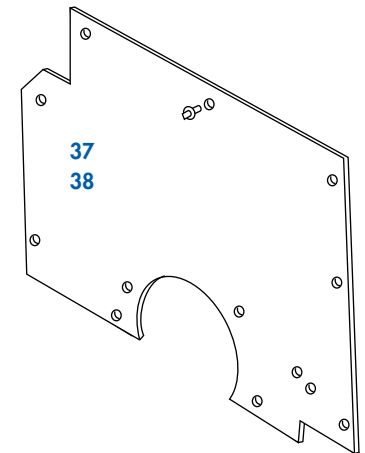


24

**V 030 008 089**  
**Top Track Support Bracket**  
 Precision tooling provides perfect interchangeability and excellent part service. Newer style, effective on machines with serial number 64023 and up.



34



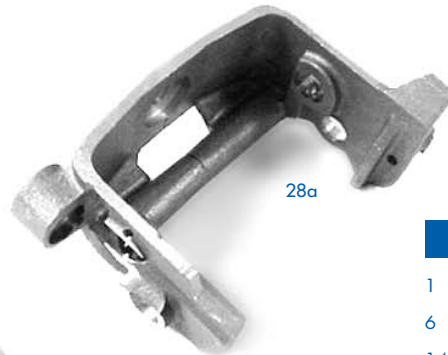
37

38



38

14



28a



15



22

32



20

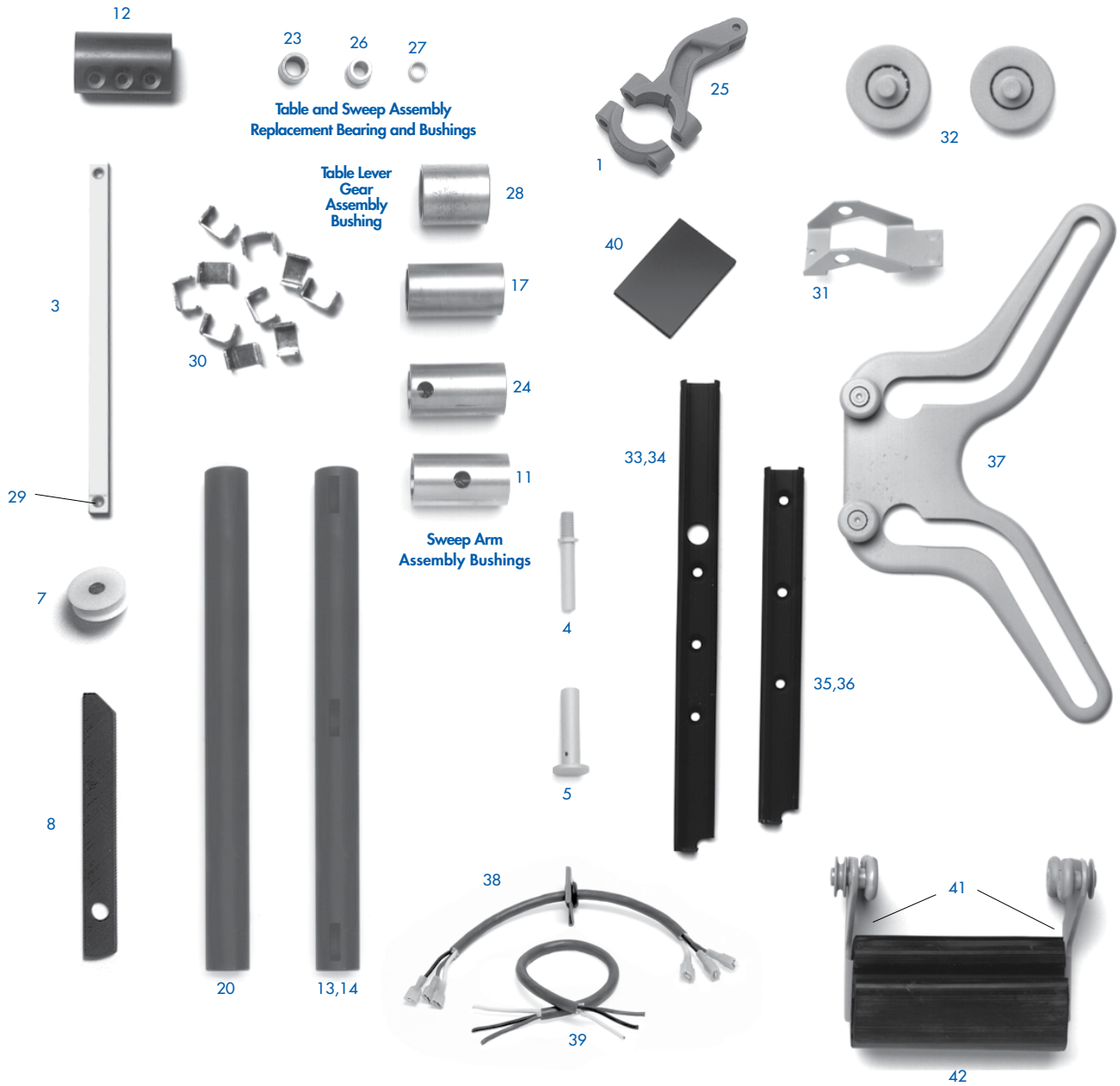


1



Part #	Description
--------	-------------

1	V 000 022 195 Idler Shaft
6	V 000 025 669 Bushing
14	V 000 027 707 Bracket Assembly R.H.
15	V 000 027 708 Bracket Assembly L.H.
20	V 000 028 241 Shaft
22	V 030 002 155 Arm Weldment
24	V 030 002 792 Cushion Wedment R.H. (Odd)
24	V 030 002 793 Cushion Wedment L.H. (Even)
25	V 030 005 648 Rear Roller Assy. 82-30
<b>28a</b>	<b>V 030 006 846 Head Casting</b>
32	V 030 008 780 RLower Shaft, 8 3/4" Long
34	V 030 008 089 Top Track Support Bracket
35	V 030 008 309 Track Support Bracket Short
<b>36</b>	<b>V 030 008 310 Distributor Track w/o Ears</b>
37	V 210 Guard for SW-4 Switch
37a	V 030 005 126 Kickback Panel for Ball Door 82-30
38	V 030 006 495 Kickback Panel Common (30)



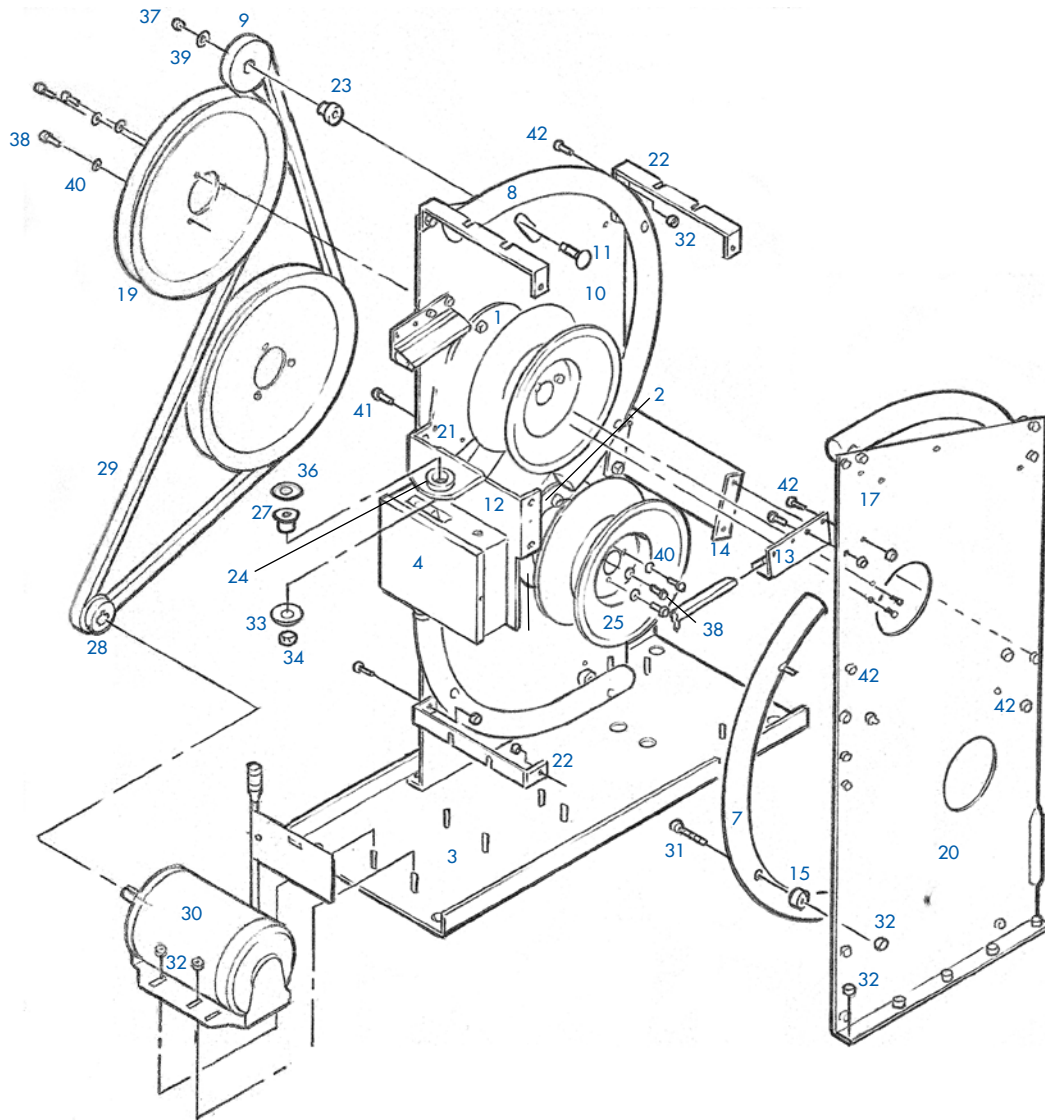
Part #	Description
1	V 030 001 148 Cap Arm
3	V 030 001 331 Link Assembly
4	V 030 001 369 Stud
5	V 030 001 488 Idler Shaft
<b>7</b>	<b>V 030 002 114 Steel Roller Wheel</b>
8	V 030 002 171 Sweep Brake
11	V 030 002 540 Grooved Bearing
12	V 030 003 257 Coupling
13	V 030 003 433 Shaft Extension R.H.
14	V 030 003 434 Shaft Extension L.H.
17	V 030 005 093 Bearing

Part #	Description
20	V 030 006 026 Shaft
23	V 030 008 164 Bearing
24	V 030 008 301 Bearing
<b>25</b>	<b>V 030 008 378 Arm Assembly</b>
26	V 701 412 054 Flange Bushing
27	V 701 512 072 Sleeve Bushing
28	V 701 540 083 Sleeve Bushing
29	V 900 104 061 Sleeve Bushing
30	V 030 001 122 Stop
31	V 030 001 170 Switch Arm
32	V 030 003 896 Respot Cell Bearing

Part #	Description
33	V 030 005 261 Lower Track L.H.
34	V 030 005 262 Lower Track R.H.
35	V 030 005 263 Upper Track L.H.
36	V 030 005 264 Upper Track R.H.
37	V 030 005 284 Track Carrier Assembly
38	V 030 006 546 Wire Cells 2-3-5
39	V 030 006 548 Wire Cells 1-4-6-7-8-9-10
40	V 030 008 352 Actuating Pad
41	V 030 008 370 Gripper Assembly
42	V 030 008 542 Gripper Pad



# C-90 & Vantage Standard Ball Lift



**Part # Description**

- 1 V 250 001 009 Upper Shaft Assembly
- 2 V 250 001 015 Lower Shaft Assembly
- 3 V 250 001 003 Base Plate Assembly
- 4 V 250 001 014 Control Box
- 7 V 250 001 013 Lower Track Assembly
- 8 V 250 001 012 Upper Track Assembly
- 9 V 250 001 011 Idler Assembly
- 10 V 250 010 002 Left Side Panel
- 11 V 250 001 027 Tensioner Lock Nut
- 12 V 250 001 004 Support Brace
- 13 V 250 001 435 Ball Outlet Guide
- 14 V 250 001 005 Rear Brace
- 15 V 250 001 034 Rail Spacer

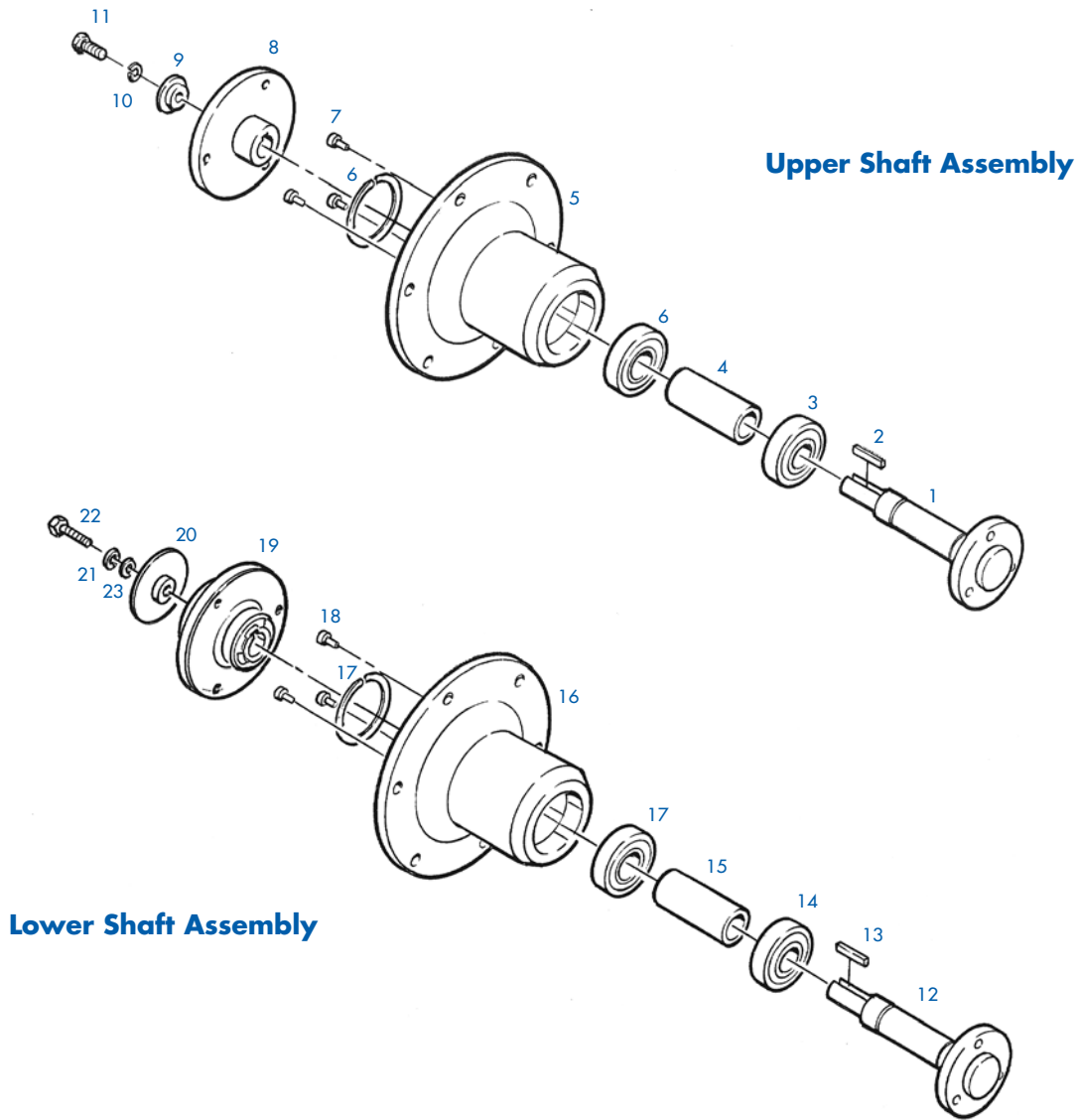
**Part # Description**

- 16 V 250 001 054 Stiffener Plate
- 17 V 070 011 211 Danger Decal
- 19 V 250 001 057 12" Pulley Concept 90
- 20 V 250 001 001 Right Side Panel
- 21 See 16
- 22 V 250 001 023 Spacer Bracket
- 23 V 250 001 021 Tensioner Hub
- 24 40-200 0.10 Rubber Bushing
- 25 V 250 001 051 Concept 90 Ball Lift Wheel
- 27 40-2000.11 Inner Bushing
- 28 V 250 001 537 Sheave 3 X 59
- 29 V 250 001 037 Dubl-V Belt Concept 90
- 30 V 250 001 040 Mtr for Frt. Ball Lift

**Part # Description**

- 31 V 808 557 360 Button Head Sckt.  
5/16-18 X 2.25
- 32 V 839 057 002 Hex Lock Nut 5/16-18 ESNA
- 33 40-2000.9 Special Washer
- 34 V 844 073 002 Stover Lock Nut 1/2-13 1
- 36 See 33
- 37 V 809 865 245 Hex Head Cap Scr 3/8-16 X 1.5
- 38 V 809 857 100 Hex Head Cap Scr 5/16-18 X 5/8
- 39 V 070 006 296 Washer Spring
- 40 V 951 156 002 Lock Washer 5/16
- 41 V 809 857 165 Hex Head Cap Scr 5/16-18 X 1
- 42 V 809 857 125 Hex Head Cap Scr 5/16-18 X 3/4





**Upper Shaft Assembly**

**Lower Shaft Assembly**

Part #	Description	Part #	Description	Part #	Description
<b>Upper Shaft Assembly</b>					
1	V 250 001 230 Shaft	9	V 250 001 226 Cap	17	V 250 001 041 Bearing and Retaining Ring
2	V 250 001 233 Shaft Key	10	V 951 148 002 Washer 1/4 Split	18	V 810 240 060 Sckt Hed Cap Scr 10-32 X 3/8
3	V 250 001 042 Bearing	11	V 809 849 145 Hex Hd Cap Scr 1/4-20 X 7/8	19	V 250 001 008 Clutch Housing Assembly
4	V 250 001 232 Bearing Spacer	<b>Lower Shaft Assembly</b>			
5	V 250 001 229 Bearing Housing	12	V 250 001 230 Shaft	20	V 250 001 231 Clutch Cover
6	V 250 001 041 Bearing and Retaining Ring	13	V 250 001 233 Shaft Key	21	V 951 148 002 Washer 1/4 Split
7	V 810 240 060 Sckt Hed Cap Scr 10-32 X 3/8	14	V 250 001 042 Bearing	22	V 809 849 165 1/4-20 X 1 Hex Head Screw
8	V 250 001 060 Hub, Pulley	15	V 250 001 232 Bearing Spacer	23	V 948 753 101 1/4 Flat Washer
		16	V 250 001 229 Bearing Housing		

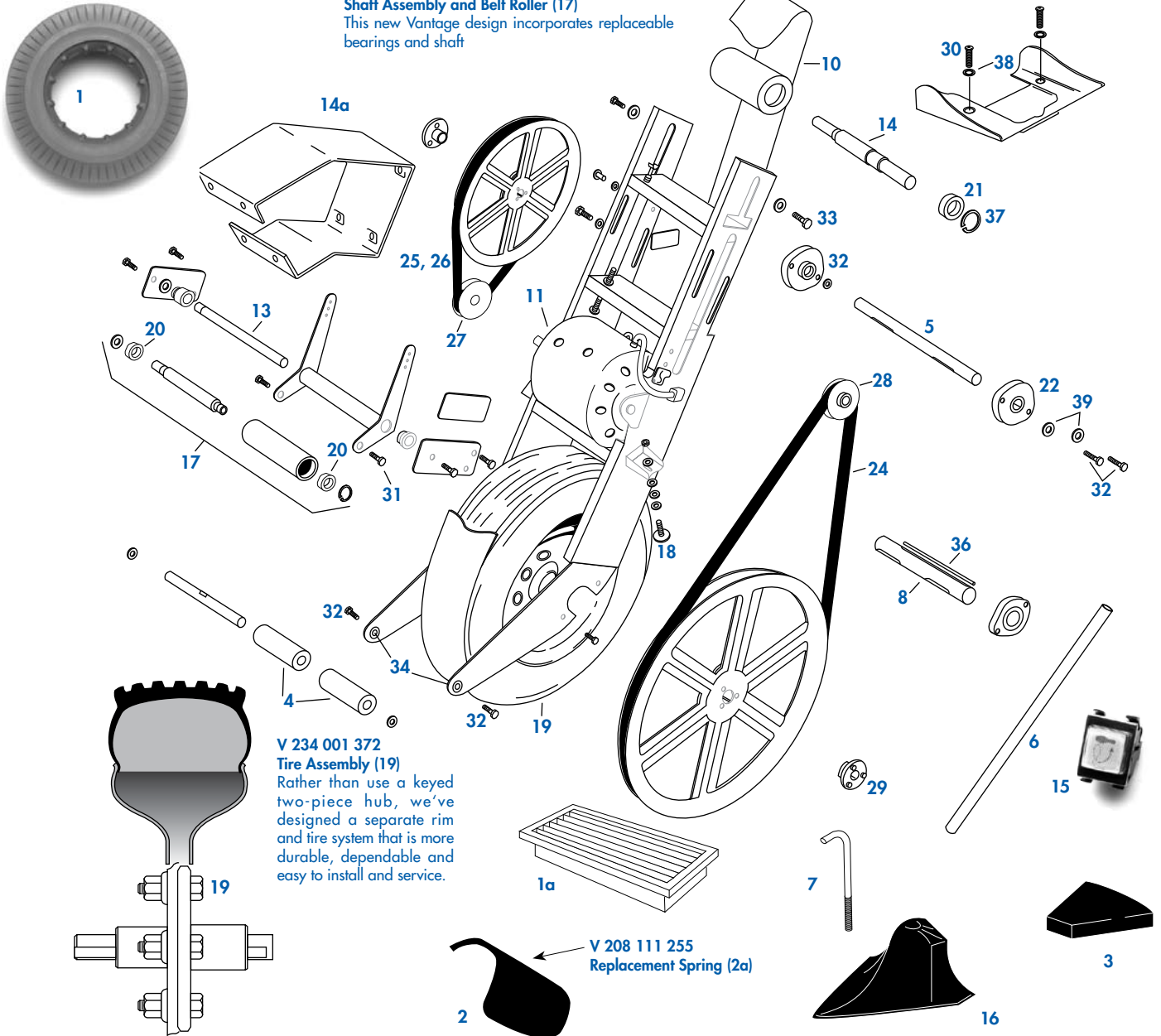




**V 234 001 368**  
**Shaft Assembly and Belt Roller (17)**  
 This new Vantage design incorporates replaceable bearings and shaft

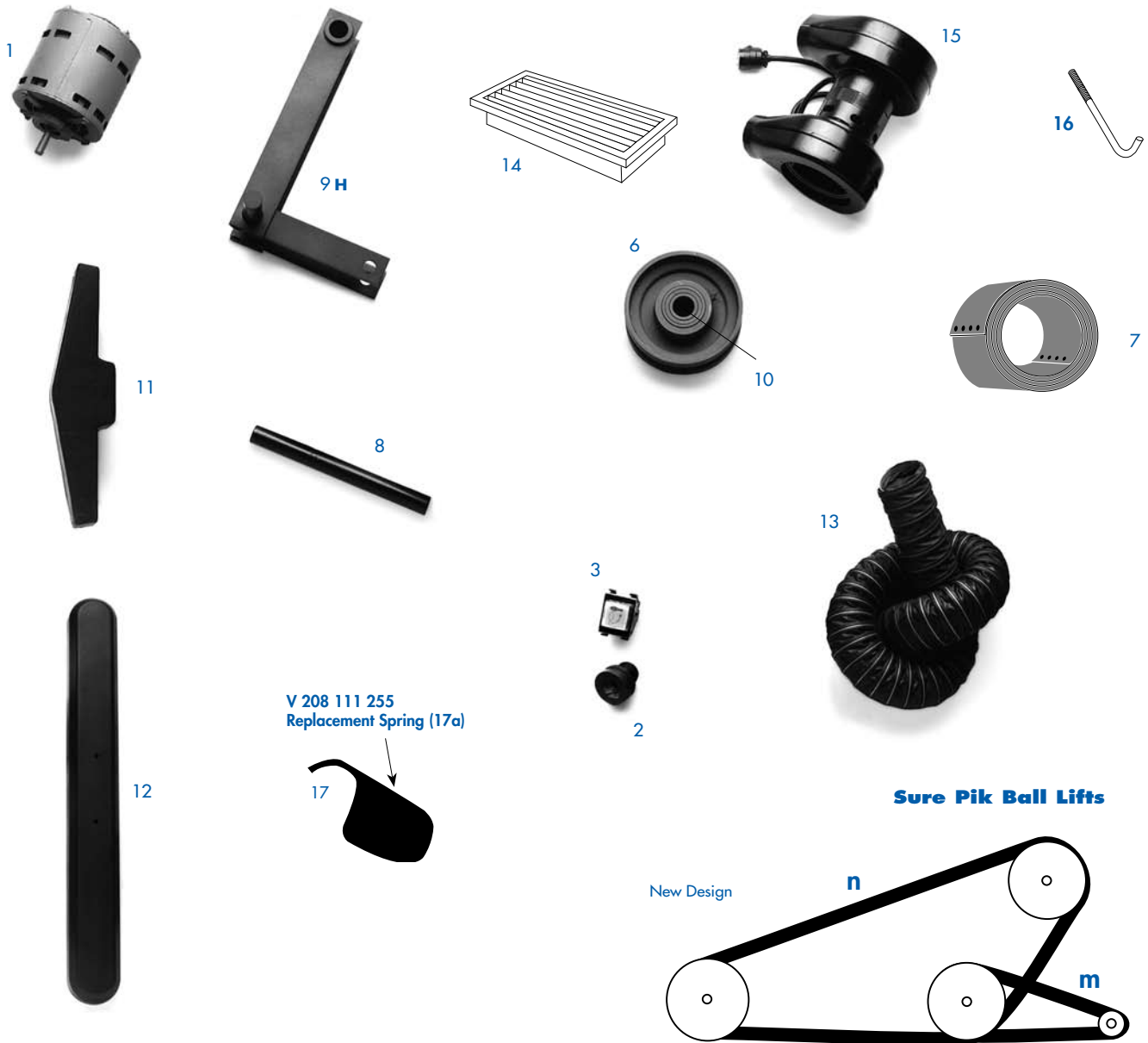
**V 234 001 372**  
**Tire Assembly (19)**  
 Rather than use a keyed two-piece hub, we've designed a separate rim and tire system that is more durable, dependable and easy to install and service.

**V 208 111 255**  
**Replacement Spring (2a)**

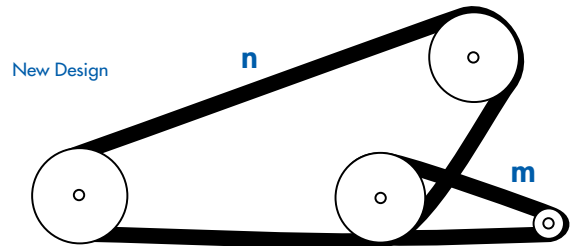


Part #	Description	Part #	Description	Part #	Description
<b>1</b>	<b>V 057 001 238 Lazy Susan Tire</b>	14	V 234 001 221 Crown Pulley Shaft	28	V 719 624 004 Pulley, 3/4" Bore 2.5 Pd.
1a	V 208 111 131 Grill Hand Dryer	14a	V 234 001 243 Motor Mounting Bracket	29	V 741 550 515 Bushing
<b>2</b>	<b>V 208 111 229 Ball Stop</b>	15	V 234 001 265 Tenth Frame Switch	30	V 808 549 160 Button Head Socket Screw
2a	V 208 111 255 Replacement Spring	<b>16</b>	<b>V 234 001 277 Island Bumper</b>	31	V 809 857 100 Hex Head Cap Screw
<b>3</b>	<b>V 234 001 041 Ball Stop Assembly</b>	<b>17</b>	<b>V 234 001 368 Shaft Assembly &amp; Belt Roller</b>	32	V 809 857 205 Hex Head Cap Screw
4	V 234 001 109 Rubber Shock	18	V 234 001 371 Bumper-Ball Lift Mechanism	33	V 809 873 100 Hex Head Cap Screw
5	V 234 001 112 Idler Shaft	<b>19</b>	<b>V 234 001 372 Tire Assembly</b>	34	V 900 207 061 Bearing
6	V 234 001 115 Rail Cover	20	V 701 020 030 Fafnir Bearing	36	V 907 202 100 Key
7	V 234 001 126 Spectrum Grill Hook	21	V 701 024 031 Bearing	37	V 919 001 000 Retaining Ring
8	V 234 001 135 Tire Shaft	22	V 702 424 002 Flange Bearing 3/4" Bore	38	V 948 648 092 Washer
10	V 234 001 147 Ball Return Belt	24	V 702 504 012 V-Belt	39	V 948 761 112 Washer
11	V 234 001 163 Motor 115V/60 with Brackets	25	V 702 504 013 V-Belt 60HZ		
13	V 234 001 174 Pivot-Shaft	26	V 702 504 014 V-Belt 50HZ		
		27	V 719 616 005 Pulley, 1/2" Bore 2.5 Pd.		

**Bold faced parts denote a Vantage value added engineering improvement - contact your distributor for details.**



**Sure Pik Ball Lifts**



Part #	Description
1	V 000 022 068 Sure Pik Drive Motor 115V/60HZ
2	V 000 022 093 Fusestat
3	V 000 023 520 10th Frame Switch
6	V 190 001 345 Idler Assembly
7	V 190 001 355 Belt
8	V 190 001 357 Shaft
<b>9</b>	<b>V 190 001 364 Link W/Replaceable Shaft</b>
10	V 190 001 490 Bearing
<b>11</b>	<b>V 208 111 008 Sure Pik Bumper</b>
<b>12</b>	<b>V 208 111 025 Sure Pik Island</b>
13	V 208 111 031 Blower Hose

Part #	Description
14	V 208 111 131 Grill, Hand Dryer
15	V 208 111 170 Sure Pik Blower with Motor
16	V 208 111 180 Sure Pik Grill Hook
<b>17</b>	<b>V 208 111 229 Ball Stop</b>
17a	V 208 111 255 Replacement Spring

**BALL LIFT BELTS**

**Magic Circle Ball Lifts**

Motor to Pulley V-Belt	
Outside 3/8" x 36"	V 000 029 433 *
Pulley to Drive V-Belt 1/2" x 41"	V 057 001 003 *

Part #	Description
<b>Sure Pik Ball Lifts</b>	
<b>m</b> Motor to Pulley V-Belt 47"	V 190 001 546
<b>m</b> Motor to Pulley Round Belt 47"	V 190 001 546-R
<b>m</b> Motor to Pulley V-Belt 45"	V 208 111 174
<b>m</b> Motor to Pulley Round Belt 42 5/8"	V 208 111 174-R
<b>n</b> Ball Lift Belt	V 190 001 305

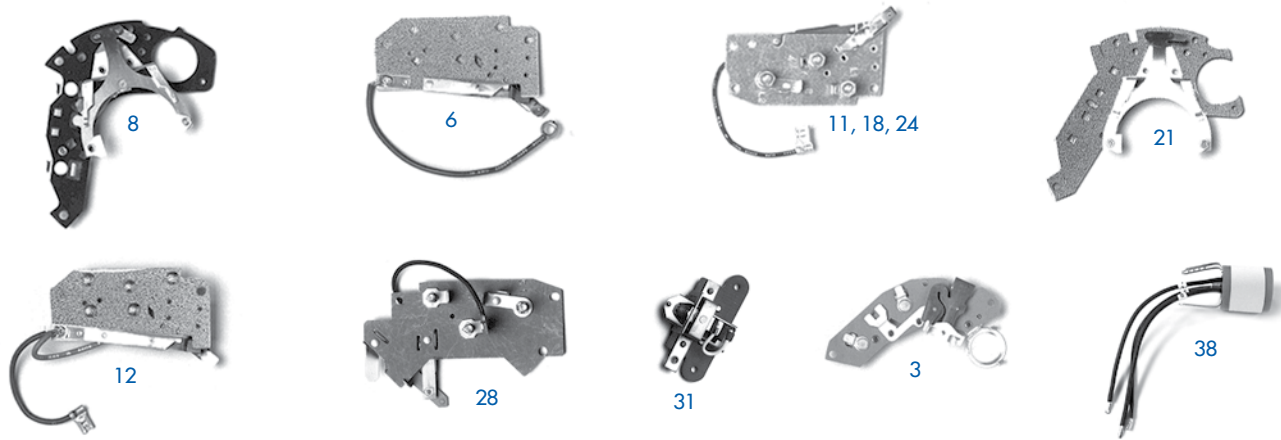
**Streamlane Ball Lifts**

V-Belt 44"	V 146 005 399 *
Ball Lift-Short 36"	V 146 004 775 *
Ball Lift-Long 73"	V 146 004 772 *

\* Not Shown



MOTOR SWITCHES



CENTRIFUGAL MECHANISMS



MOTOR PLUGS AND KLIXONS

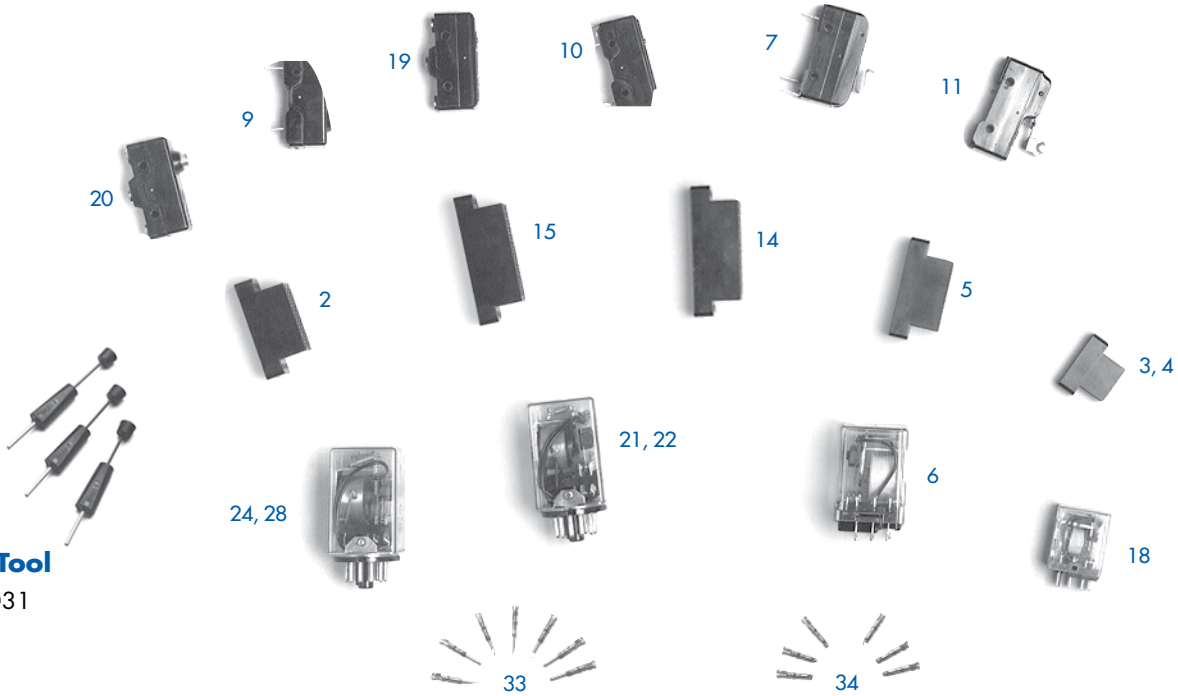


Use this chart to select the specific part you need

MOTOR TYPE	CENTRIFUGAL MECHANISM	MOTOR SWITCH	KLIXON	PLUG
<b>Westinghouse/A.O. Smith</b>				
Combo 60HZ	V 785 501 568 (26) V 785 501 378 (10)	V 785 501 386 (12) V 785 501 372 (6) (Aux Switch)	V 785 501 393 (15)	V 000 027 655 (2)
Model #314P079	Combo 50HZ	V 785 501 569 (27)	V 785 501 393 (15)	V 000 027 655 (2)
Model #325P201	Backend 60HZ	V 785 501 377 (9)	V 785 501 394 (16)	V 000 025 906 (1)
Model #314P145	Backend 60HZ	V 785 501 665 (29)	V 785 501 394 (16)	V 000 025 906 (1)
Model #325P205	Backend 50HZ	V 785 501 520 (18)	V 785 501 522 (20)	V 000 025 906 (1)
	Backend 50HZ	V 785 501 562 (24)	V 785 501 564 (25)	V 000 025 906 (1)
	Backend 50HZ		V 785 501 533 (37)	
<b>General Electric</b>				
Combo 60HZ	V 785 501 193 (5)		V 785 501 392 (14)	V 000 027 655 (2)
Combo 50HZ	V 785 501 192 (4)		V 785 501 540 (22)	V 000 027 655 (2)
Model #76F711YD3K	Backend 60HZ	V 785 501 375 (8)	V 785 501 389 (13)	V 000 025 906 (1)
	Backend 50HZ	V 785 501 192 (4)	V 785 501 508 (17)	V 000 025 906 (1)
	Sure Pik	V 785 501 168 (3)		
<b>National</b>				
Combination 50 & 60HZ	V 785 502 191 (32)	V 785 502 190 (31)	V 785 502 005 (35)	V 000 027 655 (2)
Backend 50 & 60HZ			V 785 502 080 (36)	V 000 025 906 (1)
<b>Solid State Switches</b>				
All Backend Motors		V 610 309 042 (38)		
<b>DLD Westinghouse</b>				



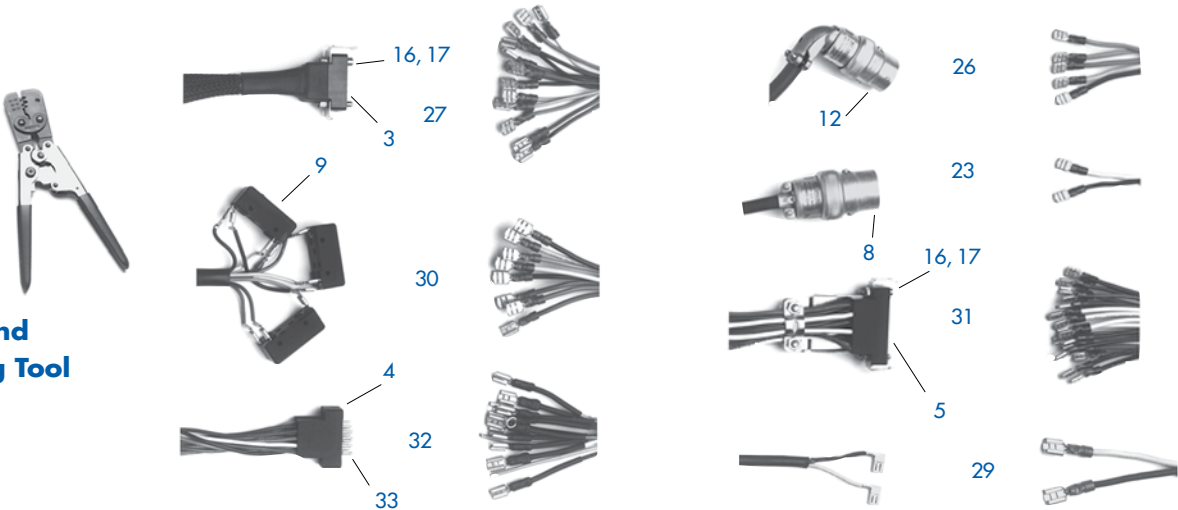
**Extractor Tool**  
V 030 004 031



Keep your machines in top form with new cable assemblies and replacement plugs from Vantage!



**AMP Hand Crimping Tool**  
V 277



Part #	Description
2	V 000 025 068 AMP Plug-Female C-1
3	V 000 025 078 AMP Plug-Table Cable, Female
4	V 000 025 079 AMP Plug-Table Cable, Male
5	V 000 025 144 AMP Plug, Male C-1
6	V 000 025 863 Relay-Backend Motor
7	V 000 025 879 Micro Switch 82-30 Chassis
8	V 000 025 907 Plug-Female Backend Motor
9	V 000 026 042 Switch-Table/Sweep Cam
10	V 000 026 043 Bin Micro Switch
11	V 000 026 247 Micro Switch 82-30 Distributor Support Bracket
12	V 000 027 660 Plug-Female 5 Prong Combination Motor

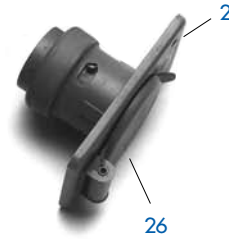
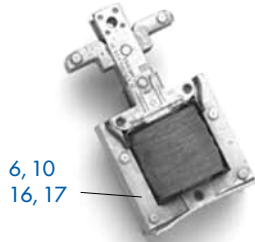
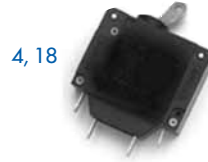
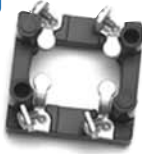
Part #	Description
13	V 000 028 078 Panel Switch Managers Control Box (Not Shown)
14	V 000 028 409 Male Block C-2
15	V 000 028 410 Female Block C-2
16	V 000 028 441 Guide Socket-AMP Plugs
17	V 000 028 442 Guide Pin-AMP Plugs
18	V 000 028 754 Relay 82-70 Chassis
19	V 030 004 702 Micro Switch
20	V 030 004 703 Micro Switch 82-30 Pin Counter
21	V 057 001 228 Relay 120V 82-30 Sure Pik
22	V 057 001 229 Relay 24V Sure Pik
23	V 070 005 094 Cable Assembly-Back End Motor
24	V 070 005 515 Relay 11 Pin M & MZ

Part #	Description
26	V 070 005 542 Cable Assembly-Sweep-Table Motor
27	V 070 005 604 Upper Table Cable
28	V 070 005 883 Relay 10V Spotting
29	V 070 006 272 Bin Switch Cable Assembly
30	V 070 006 452 Sweep Cable-Sweep Cam Switch
31	V 070 006 473 C-1 Cable Assembly
32	V 610 704 010 Lower Table Cable
33	V 760 011 197 Guide Pin Male (Gold Plated)
34	V 760 019 201 Guide Socket Female (Gold Plated)



# Capacitors-Chassis & Control Panel Switches

Manufactured with new tooling for precise operation, and original equipment fit. 29, 30

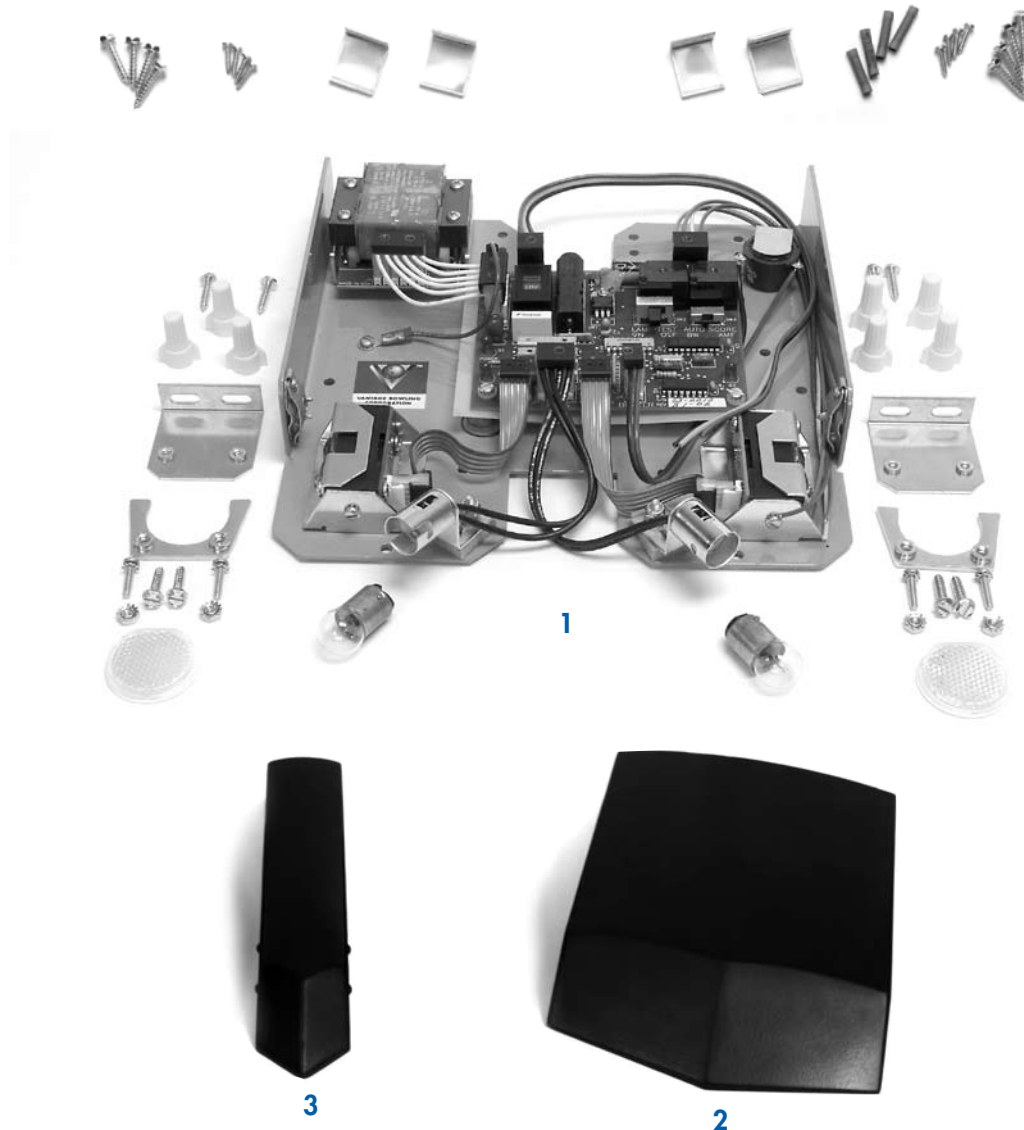


Part #	Description	Part #	Description	Part #	Description
1	V 000 023 265 Power Plug	11	V 030 006 526-1 32V Contactor New Style	21	V 743 000 015 Capacitor WEST. 82-70 60HZ B.E.
2	V 000 024 719 Power Receptacle		w/Bracket (82-30 Machines)	22	V 743 000 017 Capacitor G.E. 82-70 60HZ B.E.
3	V 000 025 124-1 24V Contactor New Style	12	V 070 005 529 Sweep Run Switch	23	V 743 000 020 Capacitor Sweep/Table Motor
	w/Bracket (82-70 Machines)	13	V 070 005 530 Sweep Reverse Switch	24	V 743 000 125 Capacitor WEST. B.E. 50HZ
4	V 000 025 292 Circuit Breaker-No Emergency Stop	14	V 070 005 666 Circuit Breaker 82-70	25	V 754 010 336 Power Plug-Hubbell (Newer Model Machines)
5	V 000 025 865 Plunger Switch-Mechanics		Chassis-Pindicator	26	V 755 020 359 Power Receptacle-Hubbell (Newer Model Machines)
	Control Box	16	V 070 006 726 Solenoid 1/4 Plunger Hole 60HZ	27	V 755 504 048 Relay MP Chassis
6	V 000 026 027 Solenoid 5/32 Plunger Hole 60HZ	17	V 070 006 727 Solenoid 1/4 Plunger Hole 50HZ	28	V 785 501 528 Capacitor 50HZ WEST.B.E.
7	V 000 026 037 Toggle Switch-Pit-Sweep	18	V 070 009 821 Circuit Breaker 82-70	29	V 788 001 057 Upper Contact
	Table On/Off		Emergency Stop	30	V 788 001 058 Lower Contact
8	V 000 026 836 Transformer 115V/60HZ T2	19	V 743 000 011 Capacitor 82-30 G.E. Backend Motor		
9	V 000 027 870 Transformer 115/230 50-60HZ T2	20	V 743 000 014 Capacitor 82-30 Pin Elevator		
10	V 000 027 873 Solenoid 5/32 Plunger Hole 50HZ		Backend Motor G.E.		





## NEW FOUL LIGHTS FOR AMF & BRUNSWICK INSTALLATIONS



### THE VANTAGE FOUL LIGHT SYSTEM OFFERS A FULLY INTEGRATED CIRCUIT BOARD AND COMPLETE COMPATIBILITY WITH ALL CENTERS AND BOWLING MACHINERY.

Its many benefits include:

- Compatibility with all major scoring systems
- A low profile for easy installation under any type of ball return cover, that is designed for subway ball returns
- Modular construction for easy service and troubleshooting
- Operation at 120V or 240V
- Vantage service and support worldwide!
- Easy adjustment of photo optics

Attractively priced, contact your Vantage distributor.

**Part# VFL-001 Vantage Foul Light System (1)**

**Part# VFL-002 Wide Division Cover (2)**

**Part# VFL-003 Narrow Division Cover with Reflector (3)**



# Mechanics Tool Kit

## Part number V 784 528 052

Now you can make sure you always have the right tool when you need it! American made tools assure consistent quality and durability. Available as a set or individually as shown. Get a grip on your machine maintenance when you have the right tool from Vantage!



Part #	Description
1	V 030 002 748 Sweep Cam Gauge
2	V 030 003 542 Belt Lacer
3	V 070 006 519 Respot Cell Gauge
5	V 724 001 011 Electrical Tape
6	V 780 503 014 Allen Wrench Socket Set
7	V 782 501 001 Extension 11"
8	V 783 501 001 Ball Peen Hammer 16 oz.
9	V 783 502 002 Plastic Hammer 16 oz.
10	V 784 003 000 Rivet Installation Tool
11	V 784 528 052 Mechanics Tool Kit
12	V 785 001 001 Lube Gun
13	V 786 501 001 Channelock Pliers
14	V 786 502 002 5" Needle Nose Pliers
15	V 786 503 003 6" Gripping Pliers
16	V 786 504 004 6" Diagonal Cutters
16a	V 787 001 006 Drive Punch Set
17	V 788 504 004 Hack Saw

Part #	Description
18	V 789 001 000 Screw Driver Set
19	V 789 502 003 Extension 3"
20	V 789 502 004 Extension 5"
21	V 789 505 008 Drive Ratchet 3/8"
22	V 789 509 000 Deep Socket Set
23	V 789 511 027 Socket Set 1/4" Drive
24	V 789 512 029 Universal 3/8" Drive
25	V 790 001 001 Solder Iron
26	V 791 003 003 HD Continuity Tester
27	V 791 004 004 High Voltage Testlight
28	V 792 009 010 Crimping Tool
29	V 792 016 018 Level
30	V 792 018 020 Magnetic Pick Up Tool
31	V 792 026 028 Steel Tape
32	V 792 501 001 Carpet Removal Pins
33	V 792 502 002 Carpet Flag Tool
34	V 792 505 005 Spring Puller

Part #	Description
35	V 793 002 007 Snap Ring Pliers
36	V 793 501 000 Adjustable Wrench Set
37	V 793 503 017 Allen Wrench Set
38	V 793 503 051 Uni Key Set
39	V 793 506 000 Combination Wrench Set
40	V 793 507 028 Offset Box Wrench 7/16 x 1/2
41	V 793 507 029 Offset Box Wrench 9/16 x 5/8
42	V 793 507 030 Offset Box Wrench 11/16 x 3/4
43	V 793 509 036 1/4" Thin Wrench
44	V 793 509 037 9/16 x 5/8 Open End Wrench
45	V 793 509 049 1/2 x 9/16" Open End Wrench - Thin
46	V 793 510 000 Ratcheting Wrench Set
47	V 793 511 045 Spanner Wrench
48	V 793 514 048 10" Vise Grip Wrench

## HAVE YOU GONE NUTS?

During machine maintenance the most frustrating parts to find are the small parts that hold your machines together. Your Vantage distributor carries a complete line of:

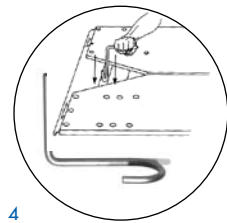
- Bolts
- Retaining Rings
- Bushings
- Washers
- X-Washers
- Roll Pins

All are available immediately to meet your service needs. Many part numbers are featured in this catalog, but many more are in stock. Call your distributor for any part number you require.

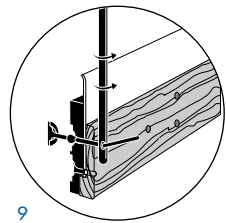
**You may also purchase a "Bowling Center Small Parts Kit" containing 66 part numbers in varying quantities. This makes sure you have the right parts all the time in your center!**  
**Order part #V-221.**



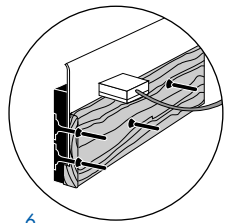
## Service Tools To Make Your Life Easier!



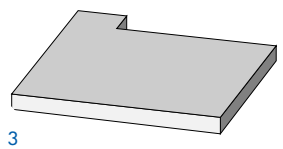
**V 211 Bounce Plate Removal Tool**  
 A real hand saver! This part fits between the channels on bounce plate assemblies and helps lift them out of the pit. Saves time, saves backs, saves knuckles!



**V 784 003 000-R Ratcheting Rivet Installation Tool**  
 Need to install rivets in a hurry? Especially where cushion weldments bolt to cushion planks? This tool attaches to any 3/8" drive ratchet for easy rivet installation anywhere on the cushion plank. We'll supply the tool, you supply the ratchet.



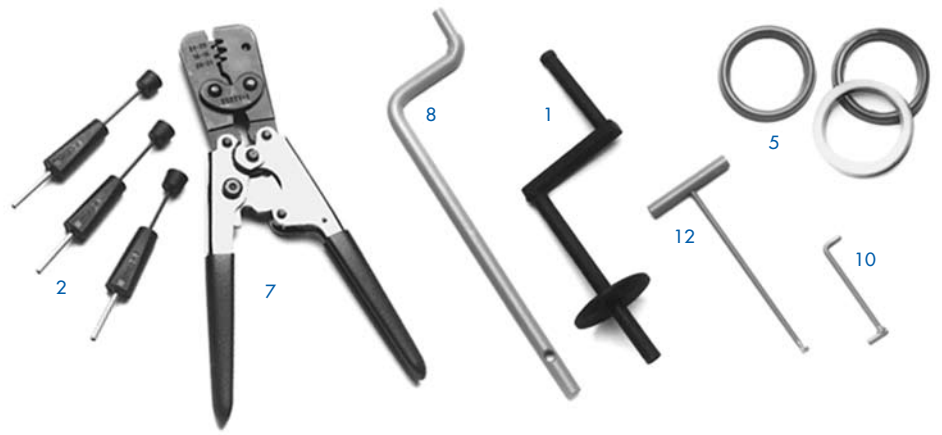
**V 223 Emergency Pit Switch**  
 When machines won't cycle due to a damaged or failed cushion switch, the Emergency Pit Switch is the fastest way to get back into bowling. Its special design slips between the cushion sponge and the cushion plank **fast** and a two connection hookup attaches directly to pit switch wiring. Installs in minutes!



**V 277 AMP Hand Crimping Tool**  
**V 030 004 031 Extractor Tool**  
 When servicing chassis plugs these two tools are a must. The extractor tool makes removal of old pins and sockets quick and easy. The hand crimping tool is designed specifically to attach these pins and sockets to your wiring, assuring durable, tight, trouble free connections.



**V 220 Ball/Part Cup**  
 Popular with bowling pro shops these ball cups are also used by mechanics to confine troublesome small parts when rebuilding assemblies.

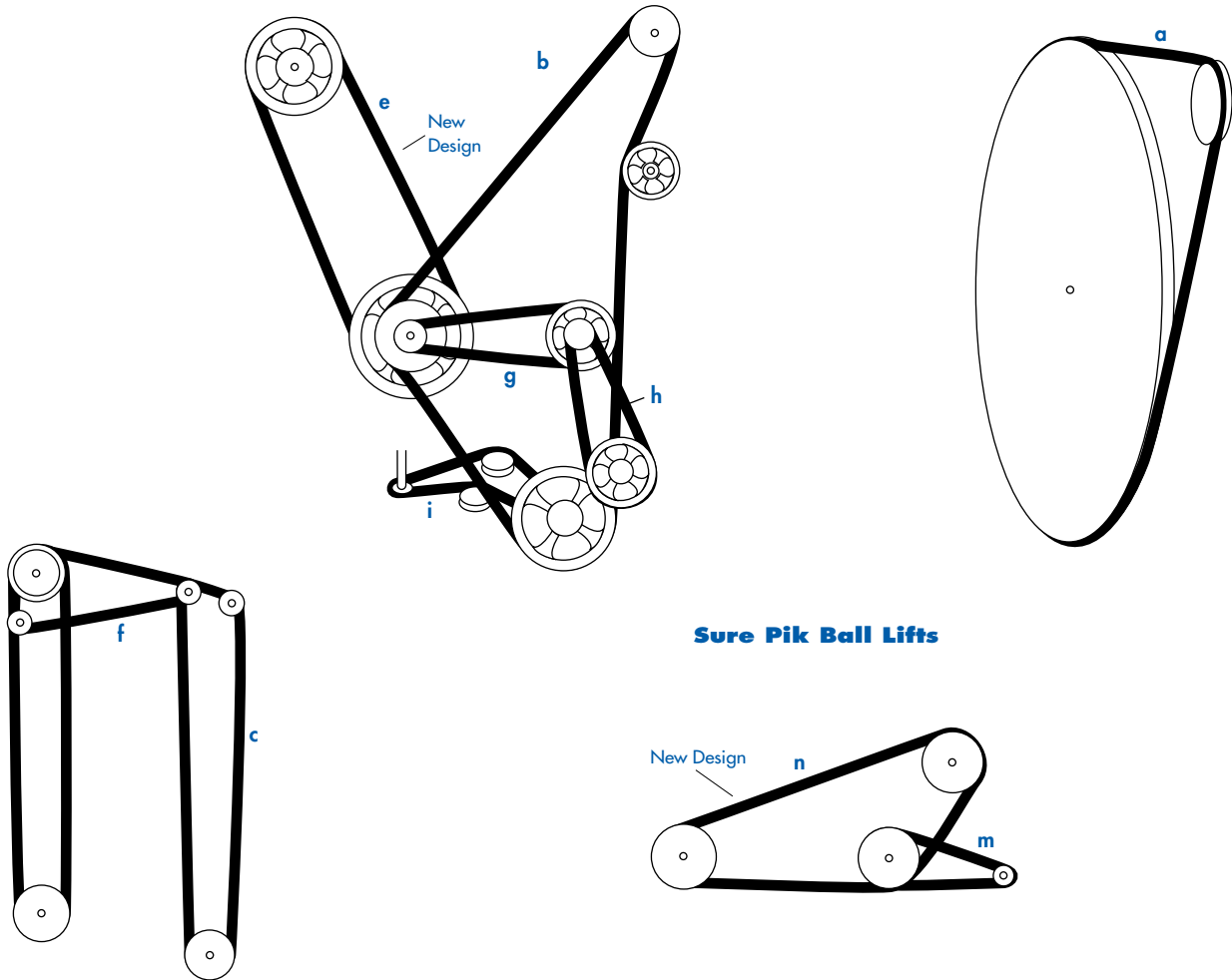


Part #	Description	Part #	Description	Part #	Description
1	V 030 003 943 Motor Crank	5	V 220 Ball/Part Cup	9	<b>V 784 003 000-R Ratcheting Rivet Installation Tool</b>
2	V 030 004 031 Extractor Tool	6	<b>V 223 Emergency Pit Switch</b>	10	V 792 501 001 Carpet Removal Pin
3	V 070 006 519 Respot Cell Gauge	7	V 277 AMP Hand Crimping Tool	11	V 792 502 002 Carpet Flag Tool
4	<b>V 211 Bounce Plate Removal Tool</b>	8	V 784 003 000 Rivet Installation Tool	12	V 792 505 005 Spring Puller



### Ball Return Nightmares are Over with New Belts from Vantage

Sure-Pik and ball lift problems are cured with Vantage's new rubber compound designed specifically for bowling ball returns. To fully employ its increased friction we've returned to a flat belt surface. This is more efficient than a concave surface in ball transfer. Try one you'll be glad you did!!!



### Sure Pik Ball Lifts

Part #	Description
--------	-------------

<b>a</b>	V 070 002 005 Pin Elevator Drive Belt
<b>b</b>	V 030 003 912 Carpet Drive Belt 135"
<b>b</b>	V 030 008 792 Carpet Drive Belt 135"
<b>b</b>	V 000 022 099A Carpet Drive Belt 114"
<b>b</b>	V 000 022 099 Carpet Drive Belt 112"
<b>c</b>	V 030 005 197 Carpet Drive Belt 131"

Part #	Description
--------	-------------

<b>e</b>	V 000 024 604 Ball Lift Belt Shallow Groove
<b>f</b>	V 030 006 017 Ball Elevator Drive V-Belt 58"
<b>g</b>	V 000 027 710 Ball Rudder Primary V-Belt Outside 1/4"x 36"
<b>h</b>	V 000 029 600 Ball Rudder Secondary
<b>i</b>	V 000 028 864 Ball Kicker Belt 36 1/2"
<b>i</b>	V 000 028 865 Ball Kicker Belt 34 5/8"

Part #	Description
--------	-------------

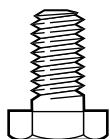
V 070 011 148	* PBL Rudder Drive 40"
V 070 011 147	* PBL Rudder Drive 38"
V 070 011 064	* PBL Ratchet Drive 45"
V 250 001 037	* Double "V" Belt

\* Not Shown

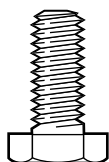


## Hex Head Cap Screws

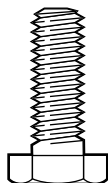
### 1/4-20 Hex Head Cap Screws



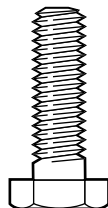
V 809 849 085  
1/4-20 x 1/2



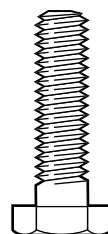
V 809 849 100  
1/4-20 x 5/8



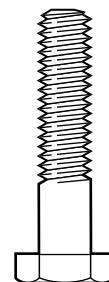
V 809 849 125  
1/4-20 x 3/4



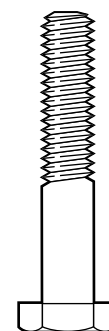
V 809 849 145  
1/4-20 x 7/8



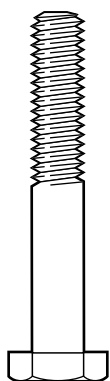
V 809 849 165  
1/4-20 x 1



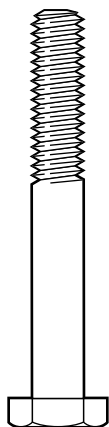
V 809 849 205  
1/4-20 x 1-1/4



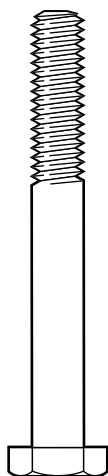
V 809 849 245  
1/4-20 x 1-1/2



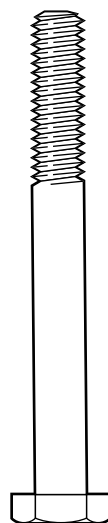
V 809 849 285  
1/4-20 x 1-3/4



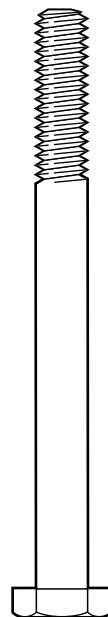
V 809 849 325  
1/4-20 x 2



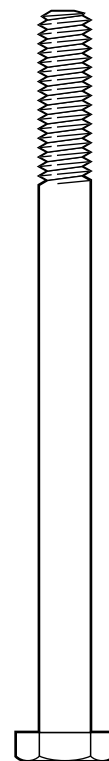
V 809 849 365  
1/4-20 x 2-1/4



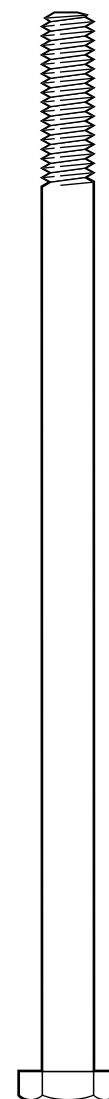
V 809 849 405  
1/4-20 x 2-1/2



V 809 849 485  
1/4-20 x 3



V 809 849 605  
1/4-20 x 3-3/4

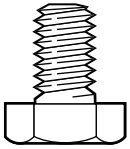


V 809 849 885  
1/4-20 x 5-1/2

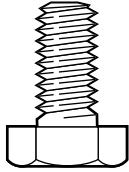




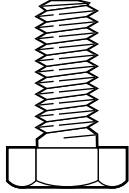
5/16-18 Hex Head Cap Screws



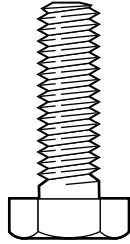
V 809 857 080  
5/16-18 x 1/2



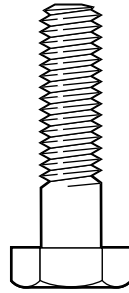
V 809 857 100  
5/16-18 x 5/8



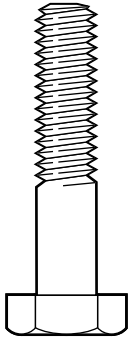
V 809 857 125  
5/16-18 x 3/4



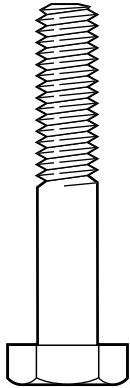
V 809 857 165  
5/16-18 x 1



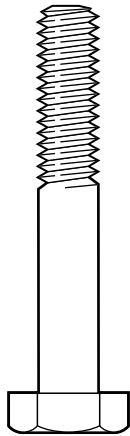
V 809 857 205  
5/16-18 x 1-1/4



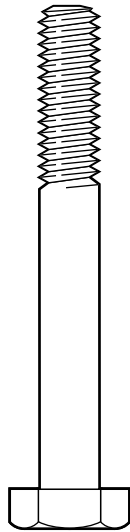
V 809 857 245  
5/16-18 x 1-1/2



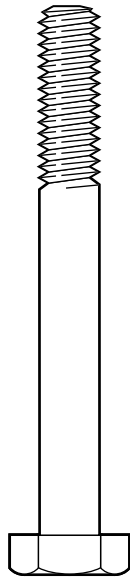
V 809 857 280  
5/16-18 x 1-3/4



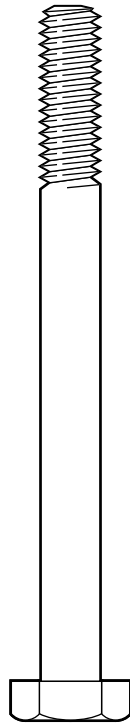
V 809 857 325  
5/16-18 x 2



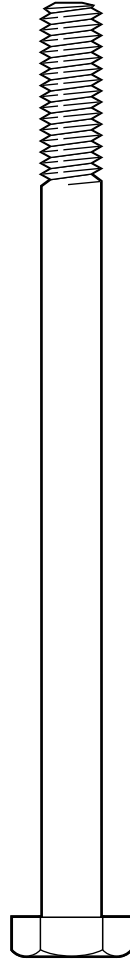
V 809 857 405  
5/16-18 x 2-1/2



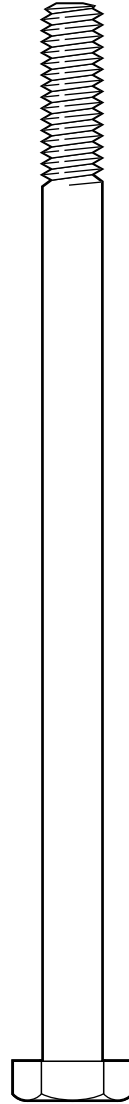
V 809 857 445  
5/16-18 x 2-3/4



V 809 857 565  
5/16-18 x 3-1/2

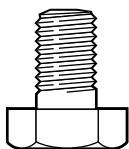


V 809 857 760  
5/16-18 x 4-3/4

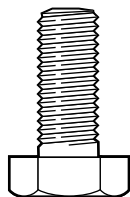


V 809 857 880  
5/16-18 x 5-1/2

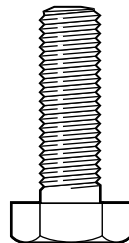
5/16-24 Hex Head Cap Screws



V 809 858 085  
5/16-24 x 1/2

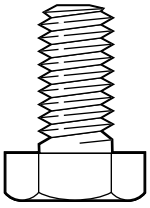


V 809 858 125  
5/16-24 x 3/4

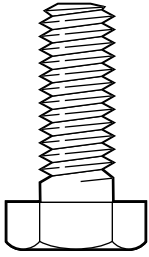


V 809 858 165  
5/16-24 x 1

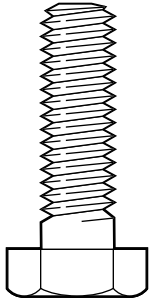
**3/8-16 Hex Head Cap Screws**



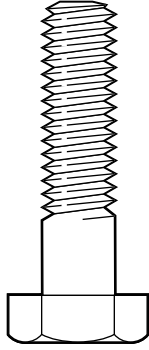
V 809 865 125  
3/8-16 x 3/4



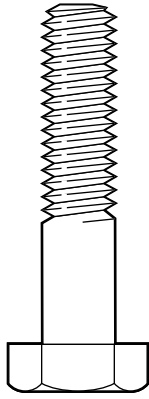
V 809 865 165  
3/8-16 x 1



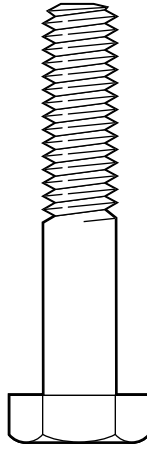
V 809 865 205  
3/8-16 x 1-1/4



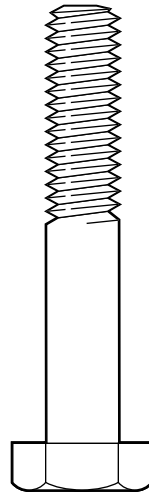
V 809 865 245  
3/8-16 x 1-1/2



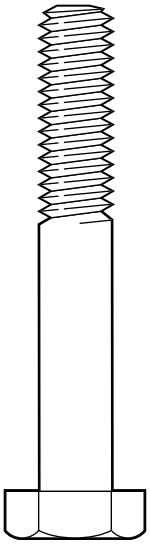
V 809 865 285  
3/8-16 x 1-3/4



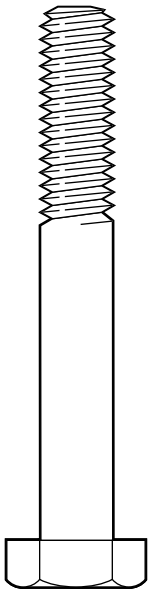
V 809 865 325  
3/8-16 x 2



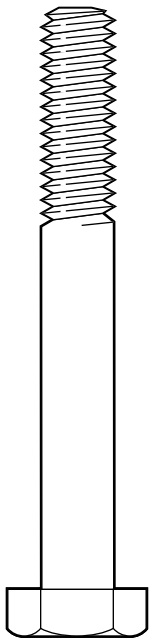
V 809 865 365  
3/8-16 x 2-1/4



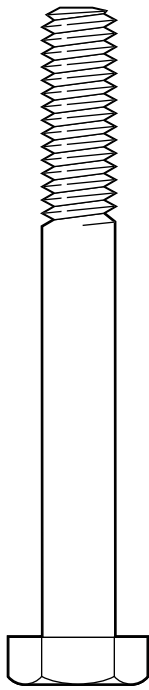
V 809 865 405  
3/8-16 x 2-1/2



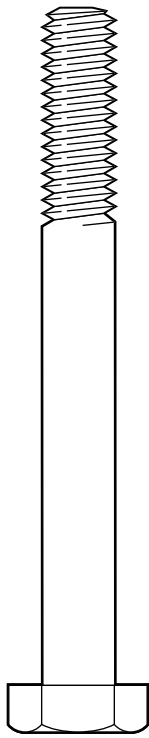
V 809 865 445  
3/8-16 x 2-3/4



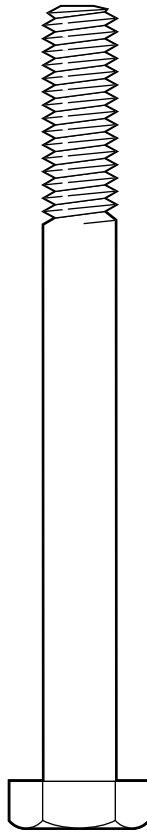
V 809 865 485  
3/8-16 x 3



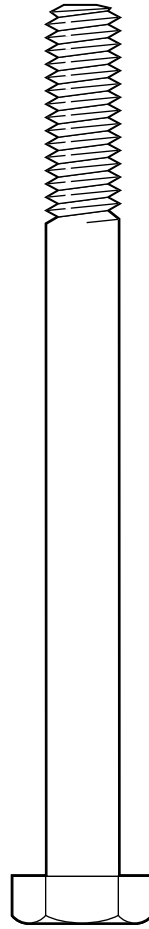
V 809 865 525  
3/8-16 x 3-1/4



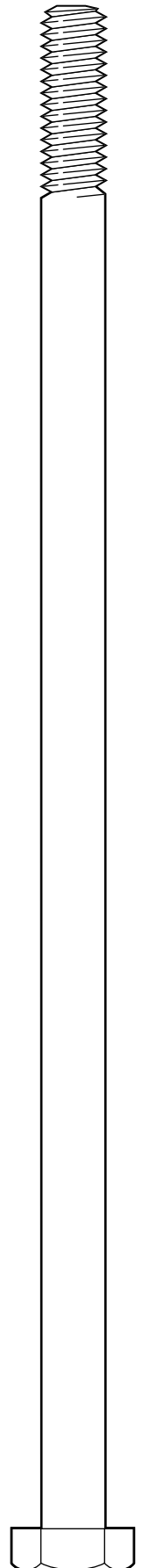
V 809 865 565  
3/8-16 x 3-1/2



V 809 865 645  
3/8-16 x 4



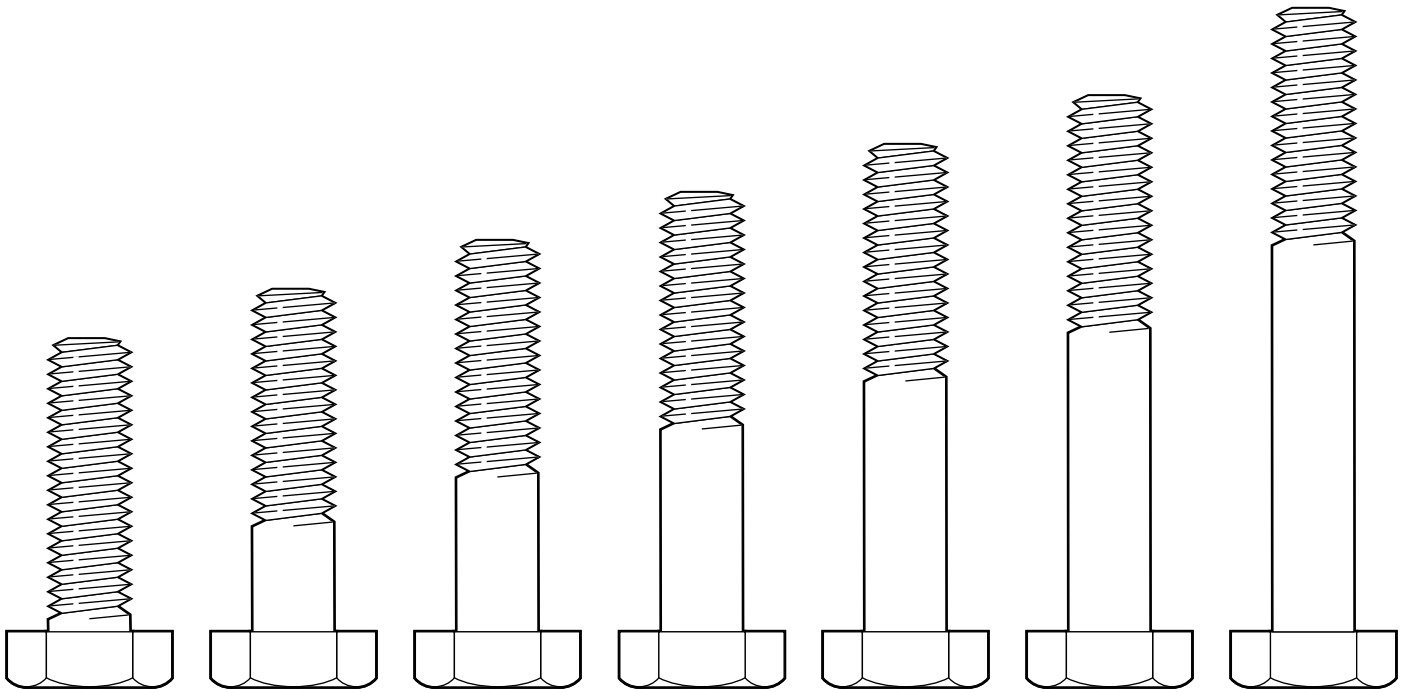
V 809 865 725  
3/8-16 x 4-1/2



V 809 865 992  
3/8-16 x 9



**7/16-14 Hex Head Cap Screws**



V 809 869 245  
7/16-14 x 1-1/2

V 809 869 285  
7/16-14 x 1-3/4

V 809 869 325  
7/16-14 x 2

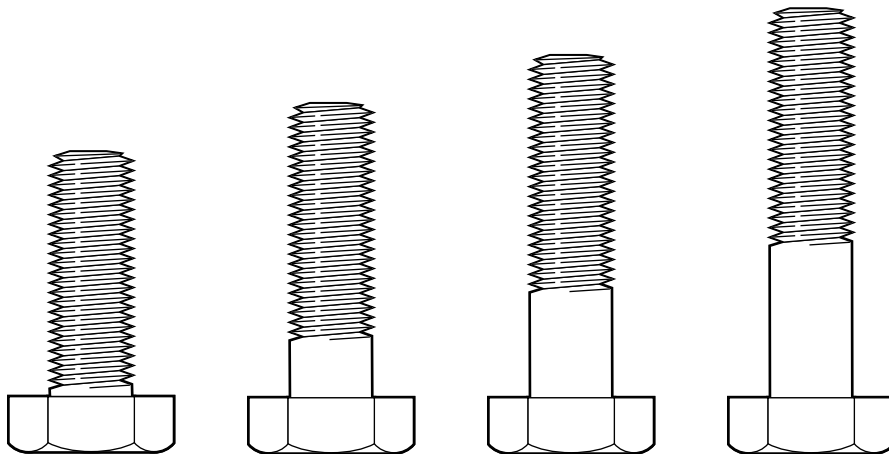
V 809 869 365  
7/16-14 x 2-1/4

V 809 869 405  
7/16-14 x 2-1/2

V 809 869 445  
7/16-14 x 2-3/4

V 809 869 520  
7/16-14 x 3-1/4

**7/16-20 Hex Head Cap Screws**



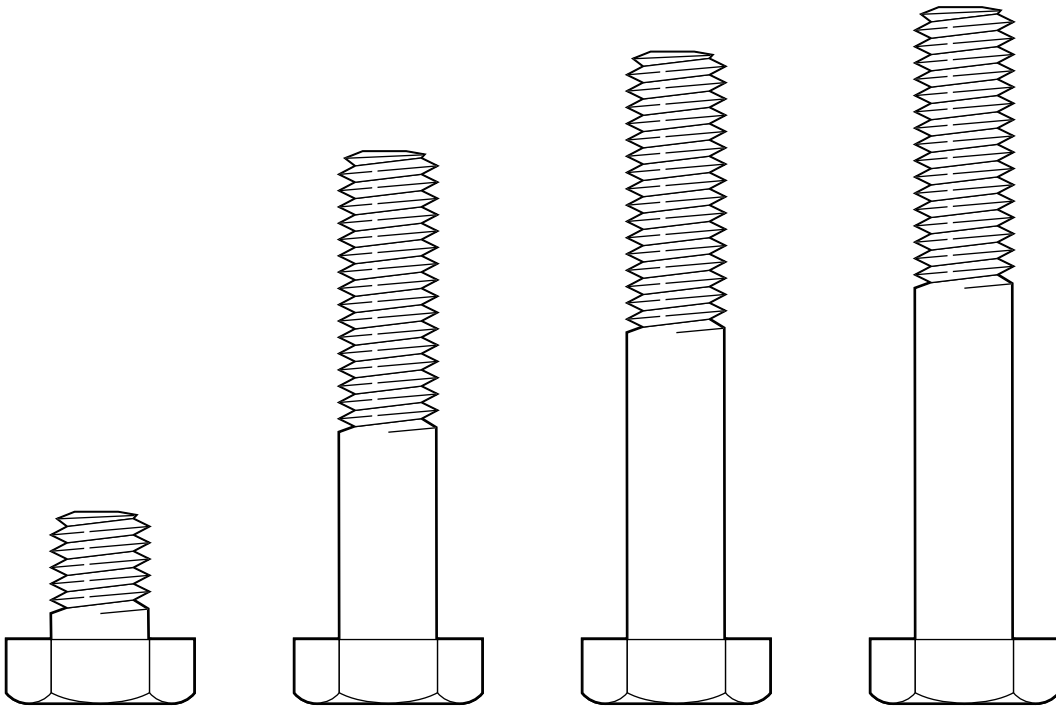
V 809 870 205  
7/16-20 x 1-1/4

V 809 870 245  
7/16-20 x 1-1/2

V 809 870 285  
7/16-20 x 1-3/4

V 809 870 325  
7/16-20 x 2

**1/2-13 Hex Head Cap Screws**



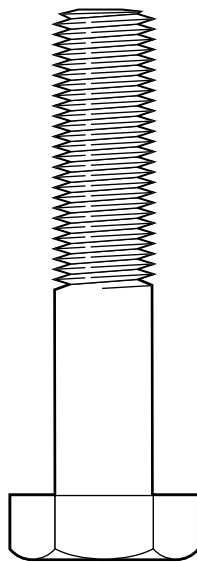
V 809 873 100  
1/2-13 x 5/8

V 809 873 405  
1/2-13 x 2-1/2

V 809 873 485  
1/2-13 x 3

V 809 873 525  
1/2-13 x 3-1/4

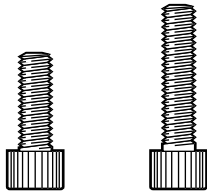
**1/2-20 Hex Head Cap Screws**



V 809 874 365  
1/2-20 x 2-1/2

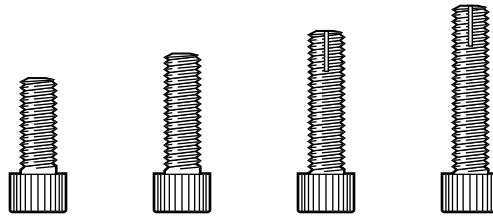


## #8-32 Socket Head



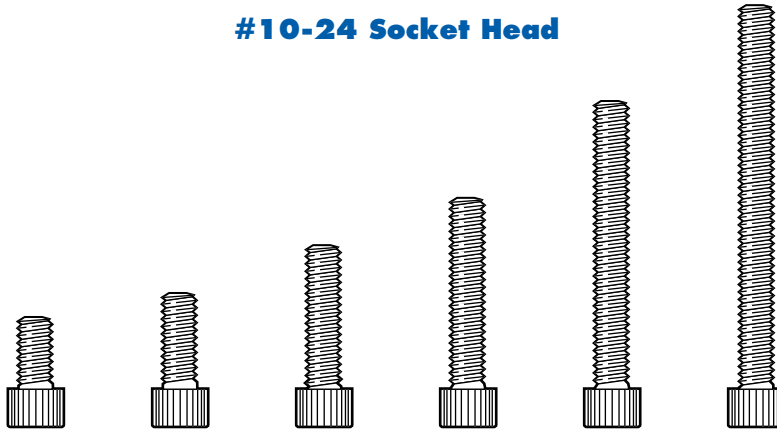
V 810 233 080 #8-32 x 1/2  
V 810 233 120 #8-32 x 3/4

## #10-32 Socket Head



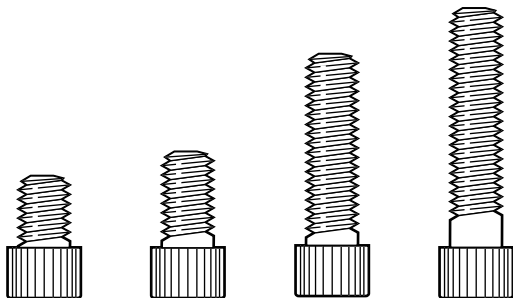
V 810 240 080 #10-32 x 1/2  
V 810 240 100 #10-32 x 5/8  
V 808 640 121 #10-32 x 3/4 WITH NYLOC®  
V 808 640 141 #10-32 x 7/8 WITH NYLOC

## #10-24 Socket Head



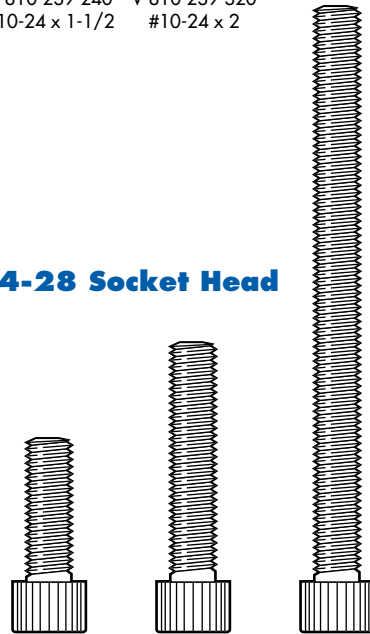
V 810 239 060 #10-24 x 3/8  
V 810 239 080 #10-24 x 1/2  
V 810 239 120 #10-24 x 3/4  
V 810 239 160 #10-24 x 1  
V 810 239 240 #10-24 x 1-1/2  
V 810 239 320 #10-24 x 2

## 1/4-20 Socket Head



V 810 249 060 1/4-20 x 3/8  
V 810 249 080 1/4-20 x 1/2  
V 810 249 160 1/4-20 x 1  
V 810 249 200 1/4-20 x 1-1/4

## 1/4-28 Socket Head



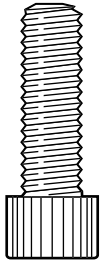
V 810 250 120 1/4-28 x 3/4  
V 810 250 200 1/4-28 x 1-1/4  
V 810 250 480 1/4-28 x 3



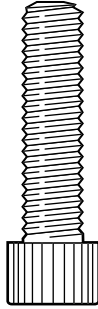


**5/16-18 Socket Head**

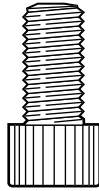
**5/16-24 Socket Head**



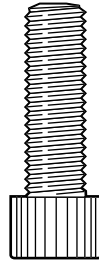
V 810 257 160  
5/16-18 x 1



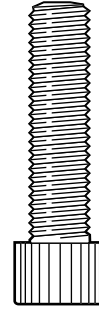
V 810 257 200  
5/16-18 x 1-1/4



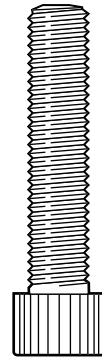
V 810 258 100  
5/16-24 x 5/8



V 810 258 160  
5/16-24 x 1

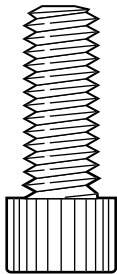


V 810 258 200  
5/16-24 x 1-1/4

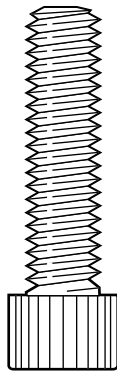


V 810 258 240  
5/16-24 x 1-1/2

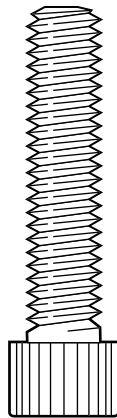
**3/8-16 Socket Head**



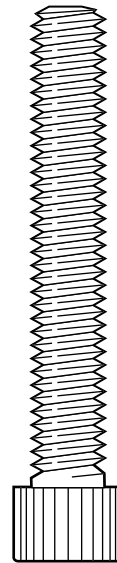
V 810 265 160  
3/8-16 x 1



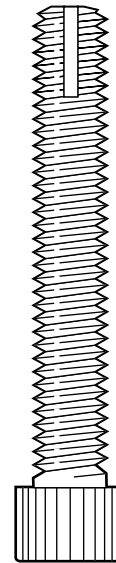
V 810 265 240  
3/8-16 x 1-1/2



V 810 265 280  
3/8-16 x 1-3/4



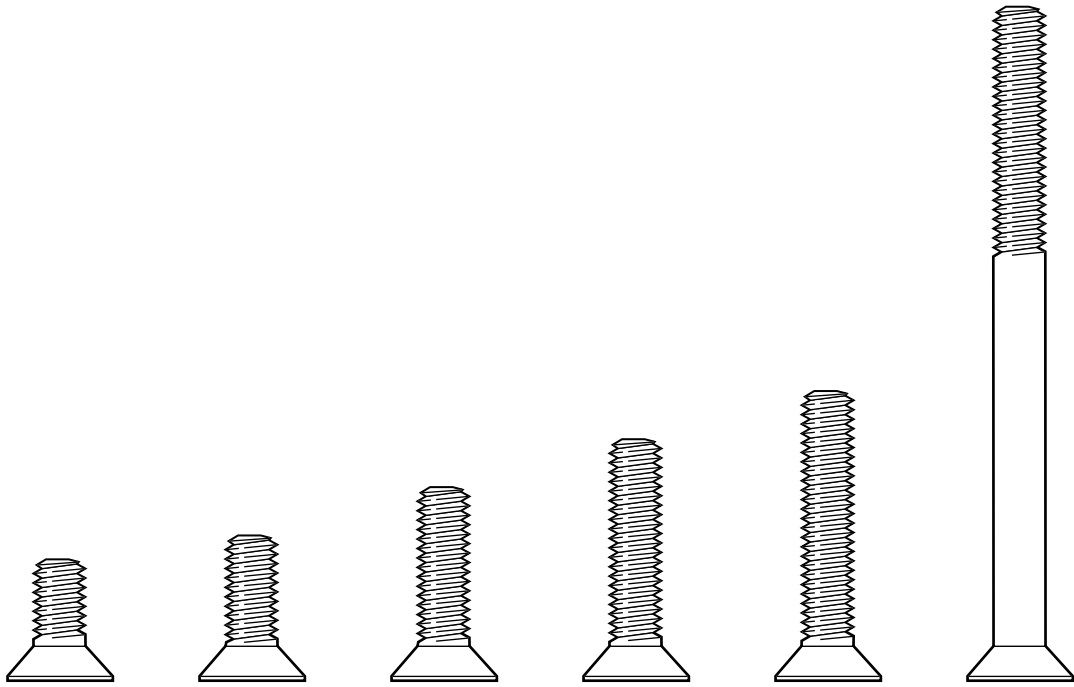
V 810 265 400  
3/8-16 x 2-1/2



V 810 265 401  
3/8-16 x 2-1/2  
WITH NYLOC



1/4-20 Flat Head Socket Cap Screws



V 808 849 100  
1/4-20 x 5/8

V 808 849 120  
1/4-20 x 3/4

V 808 849 160  
1/4-20 x 1

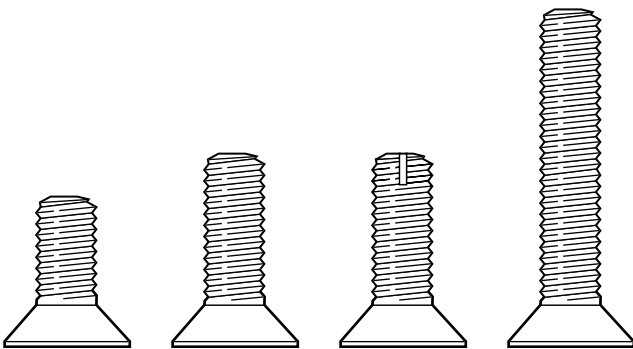
V 808 849 200  
1/4-20 x 1-1/4

V 808 849 240  
1/4-20 x 1-1/2

V 808 849 565  
1/4-20 x 3-1/2

5/16-18 Flat Head Socket

5/16-24 Flat Head Socket

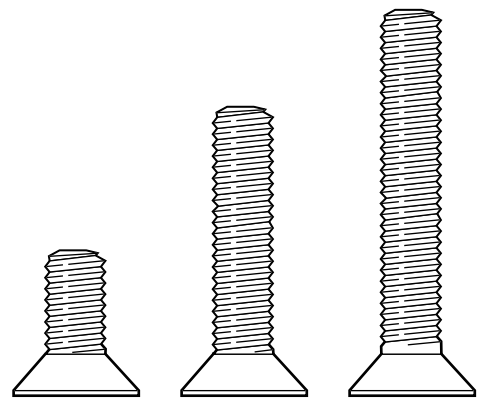


V 808 857 120  
5/16-18 x 3/4

V 808 857 160  
5/16-18 x 1

V 808 957 160  
5/16-18 x 1  
WITH NYLOC

V 808 857 280  
5/16-18 x 1-3/4

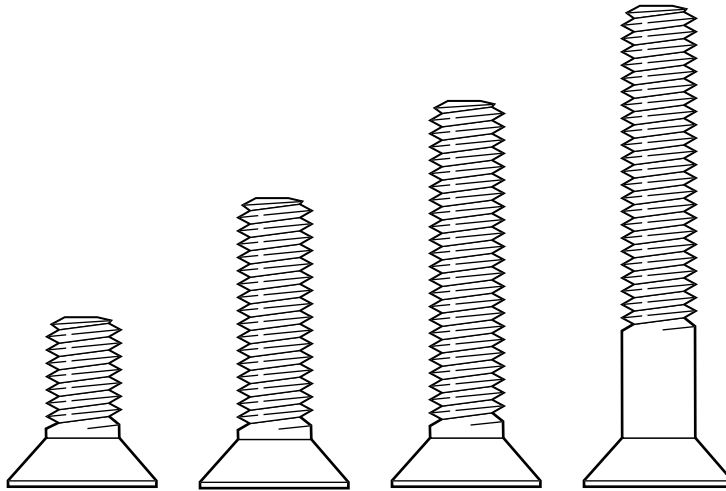


V 808 858 120  
5/16-24 x 3/4

V 808 858 240  
5/16-24 x 1-1/2

V 808 858 320  
5/16-24 x 2

**3/8-16 Flat Head Socket Cap Screws**



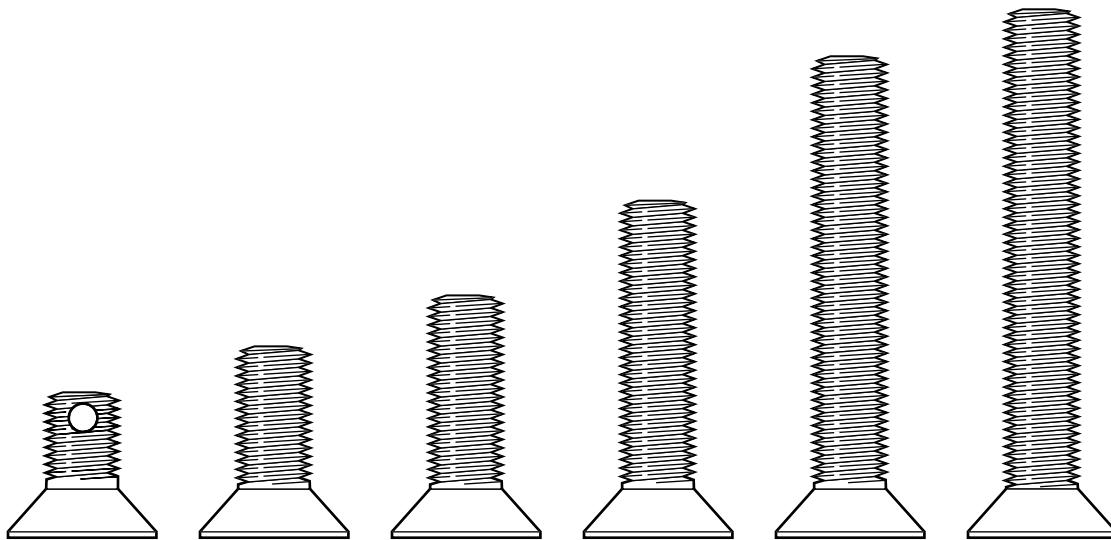
V 808 865 140  
3/8-16 x 7/8

V 808 865 240  
3/8-16 x 1-1/2

V 808 865 320  
3/8-16 x 2

V 808 865 400  
3/8-16 x 2-1/2

**3/8-24 Flat Head Socket Cap Screws**



V 000 025 662  
3/8-24 x 3/4  
WITH NYLOC

V 808 866 160  
3/8-24 x 1

V 808 866 200  
3/8-24 x 1-1/4

V 808 866 320  
3/8-24 x 2

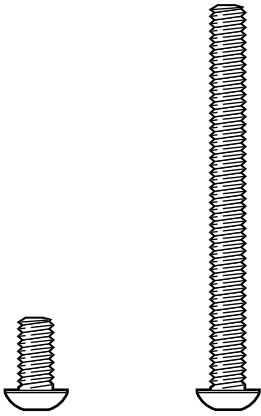
V 808 866 400  
3/8-24 x 2-1/2

V 808 866 440  
3/8-24 x 2-3/4



# Button Head Socket Cap Screws

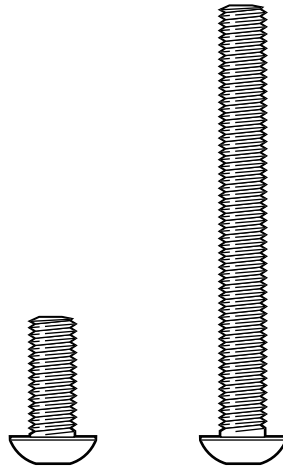
## #10-24 Button Head



V 808 539 060  
#10-24 x 3/8

V 808 539 320  
#10-24 x 2

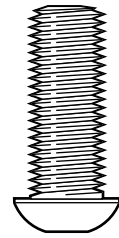
## 1/4-28 Button Head



V 808 550 100  
1/4-28 x 5/8

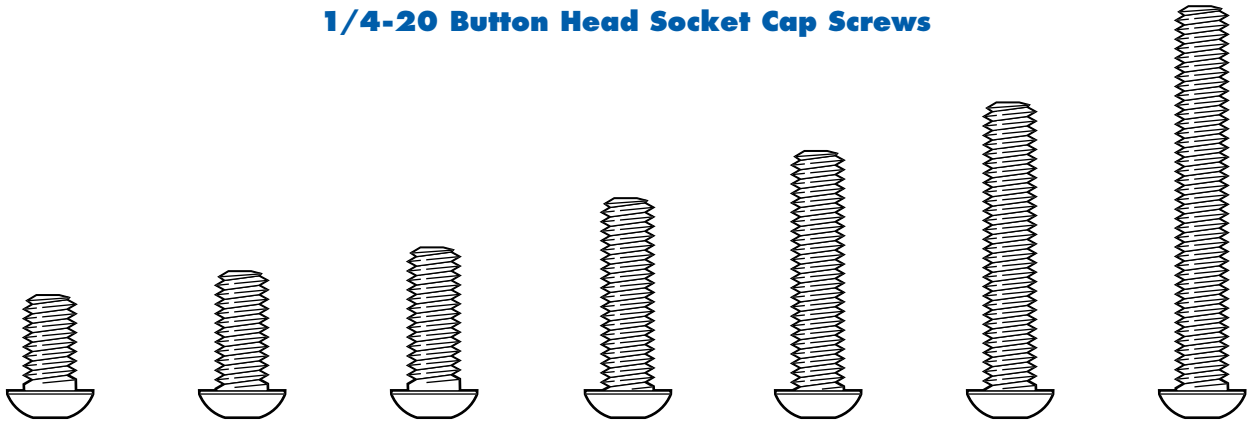
V 808 550 360  
1/4-28 x 2-1/4

## 3/8-24 Button Head



V 808 566 160  
3/8-24 x 1

## 1/4-20 Button Head Socket Cap Screws



V 808 549 080  
1/4-20 x 1/2

V 808 549 100  
1/4-20 x 5/8

V 808 549 120  
1/4-20 x 3/4

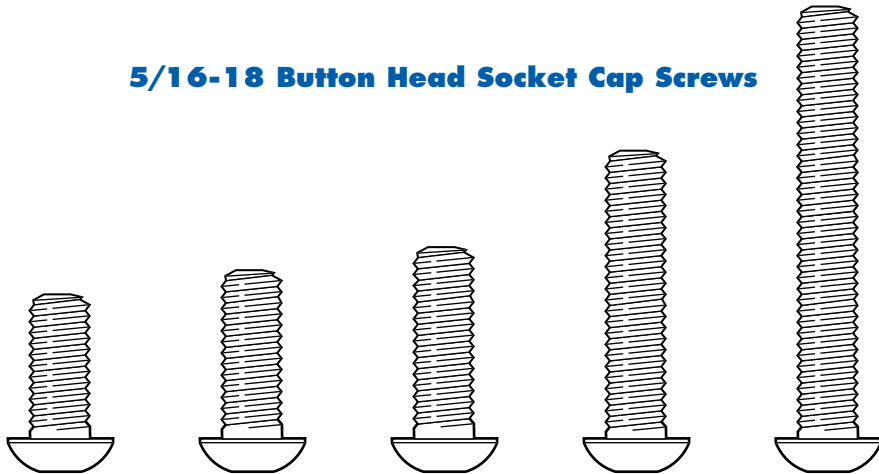
V 808 549 160  
1/4-20 x 1

V 808 549 200  
1/4-20 x 1-1/4

V 808 549 240  
1/4-20 x 1-1/2

V 808 549 320  
1/4-20 x 2

## 5/16-18 Button Head Socket Cap Screws



V 808 557 120  
5/16-18 x 3/4

V 808 557 140  
5/16-18 x 7/8

V 808 557 160  
5/16-18 x 1

V 808 557 240  
5/16-18 x 1-1/2

V 808 557 360  
5/16-18 x 2-1/4

**Flat Washers (SAE)**



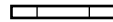
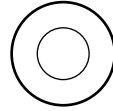
V 948 631 062  
#4



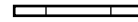
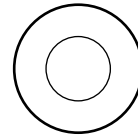
V 948 637 072  
#6



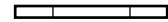
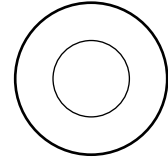
V 948 745 082  
#8



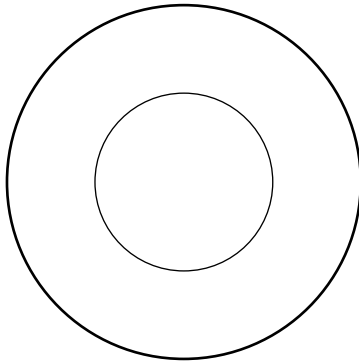
V 948 753 102  
1/4



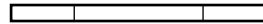
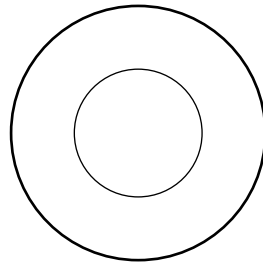
V 948 761 112  
5/16



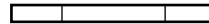
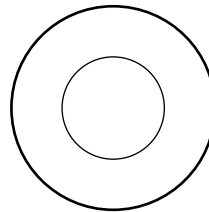
V 948 767 132  
3/8



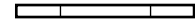
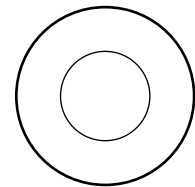
V 949 090 282  
7/8



V 948 983 212  
5/8

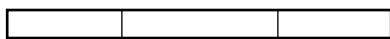
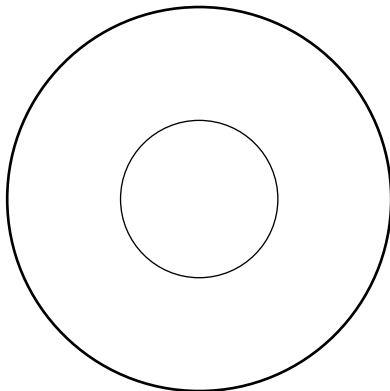


V 948 975 172  
1/2

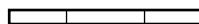
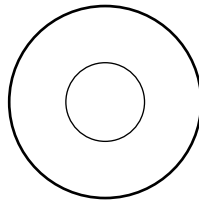


V 948 868 162  
7/16

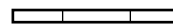
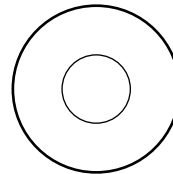
**Flat Washers (USS)**



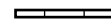
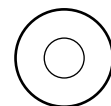
V 946 688 322  
3/4



V 949 100 002  
3/8



V 948 964 142  
5/16



V 948 745 082  
1/4





**Split Lockwashers**



V 951 112 002  
#2



V 951 020 000  
#4



V 951 026 002  
#6



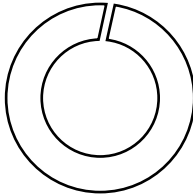
V 951 032 000  
#8



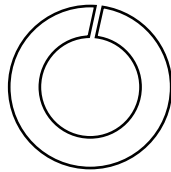
V 951 138 000  
#10



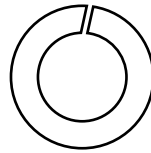
V 951 148 002  
1/4



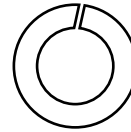
V 951 181 002  
5/8



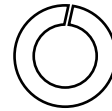
V 951 172 002  
1/2



V 951 068 002  
7/16



V 951 164 002  
3/8



V 951 156 002  
5/16

**External Tooth Lockwashers**



V 957 000 002  
#8



V 957 100 002  
#10

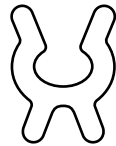
**X-Washers**



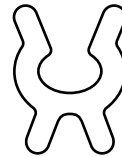
V 963 100 002



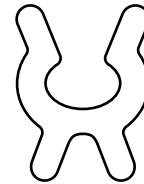
V 963 200 002



V 963 300 002



V 963 400 002



V 963 600 002



**Standard Hex Nuts**

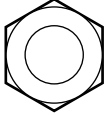
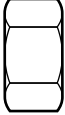
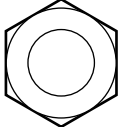
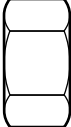
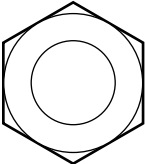
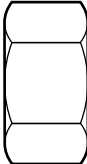
**Machine Screw Nuts**





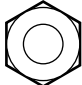

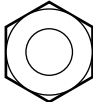

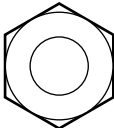

**Course**

**Fine**

**Course**

**Fine**

			V 831 558 002 5/16-24
V 831 565 002 3/8-16			V 831 566 002 3/8-24
V 831 573 002 1/2-13			

			V 834 821 000 #4-40
			V 834 527 002 #6-32
V 835 539 002 #10-24			V 835 540 002 #10-32
V 834 549 002 1/4-20			
V 834 557 002 5/16-18			



**Nyloc Hex Nuts**

**Flexloc Hex Nuts**

**Course**

**Fine**

**Course**

**Fine**



V 838 727 002  
#6-32

V 840 039 002  
#10-24



V 840 040 002  
#10-32



V 839 533 002  
#8-32

V 840 049 002  
1/4-20



V 838 939 002  
#10-24



V 838 740 002  
#10-32

V 840 057 002  
5/16-18

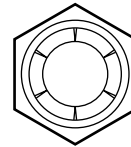


V 840 058 002  
5/16-24

V 838 849 007  
1/4-20

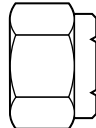
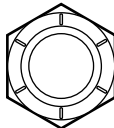


V 840 065 002  
3/8-16

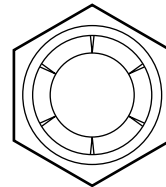


V 840 066 002  
3/8-24

V 838 565 002  
3/8-16



V 838 866 002  
3/8-24



V 840 070 002  
7/16-20

## Jam Nuts

## Stover Nuts

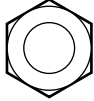
### Course

### Fine

### Course

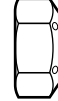
### Fine

V 835 549 002  
1/4-20 R.H.



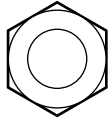
V 835 550 002  
1/4-28 R.H.  
V 835 650 002  
1/4-28 L.H.

V 844 049 002  
1/4-20



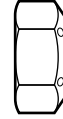
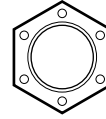
V 844 050 002  
1/4-28

V 835 557 002  
5/16-18 R.H.



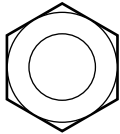
V 835 558 002  
5/16-24 R.H.

V 844 057 002  
5/16-18



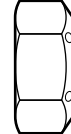
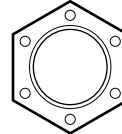
V 844 058 002  
5/16-24

V 835 565 002  
3/8-16 R.H.

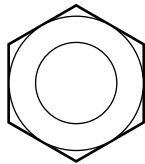


V 835 566 002  
3/8-24 R.H.

V 844 065 002  
3/8-16

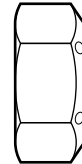
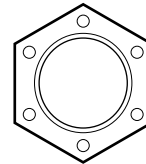


V 844 066 002  
3/8-24



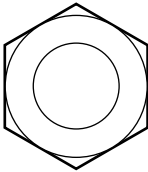
V 835 570 002  
7/16-20 R.H.  
V 835 670 002  
7/16-20 L.H.

V 844 069 002  
7/16-14



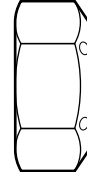
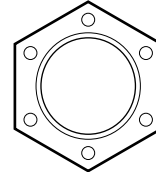
V 844 070 002  
7/16-20

V 835 573 002  
1/2-13 R.H.

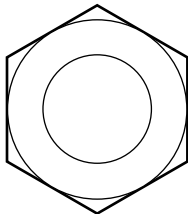


V 835 574 002  
1/2-20 R.H.  
V 835 674 002  
1/2-20 L.H.

V 844 073 002  
1/2-13

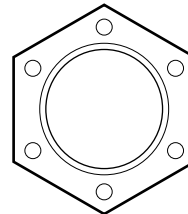


V 844 074 002  
1/2-20



V 835 582 002  
5/8-18 R.H.

V 844 081 002  
5/8-11





**External Retaining Rings**



V 919 005 000  
EXTERNAL



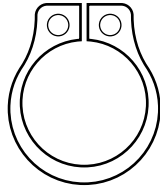
V 919 005 200  
EXTERNAL



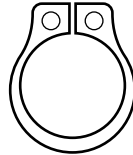
V 919 005 300  
EXTERNAL



V 919 005 400  
EXTERNAL



V 919 005 500  
EXTERNAL



V 919 005 600  
EXTERNAL

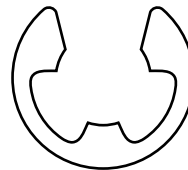


V 919 005 800  
EXTERNAL

**E-Clip Retaining Rings**

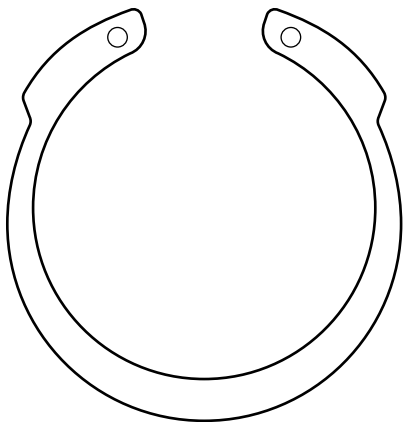


V 919 010 200  
E-CLIP

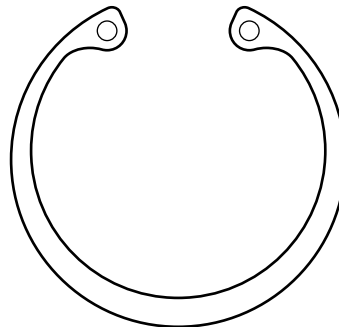


V 919 010 700  
E-CLIP

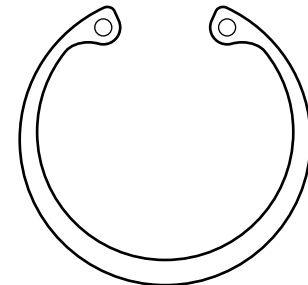
**Internal Retaining Rings**



V 919 004 200  
INTERNAL



V 919 000 700  
INTERNAL

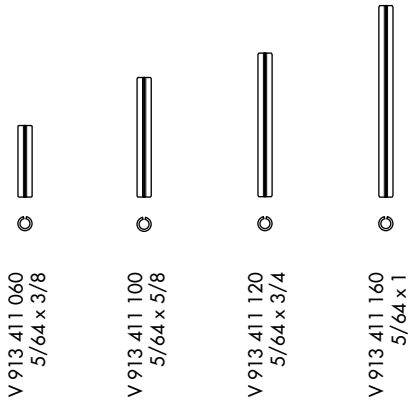


V 919 000 600  
INTERNAL

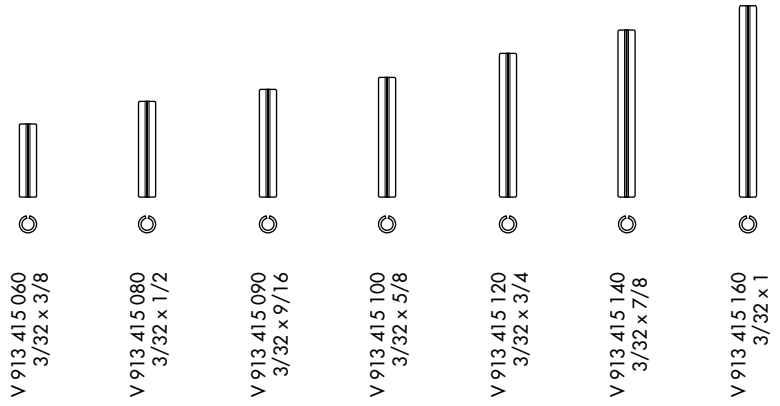




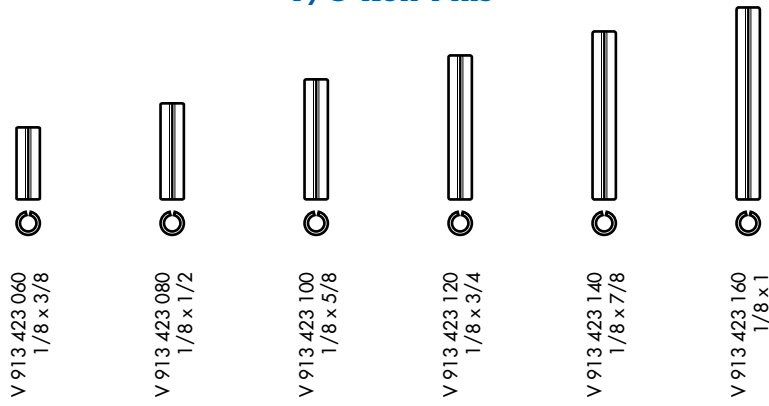
**5/64 Roll Pins**



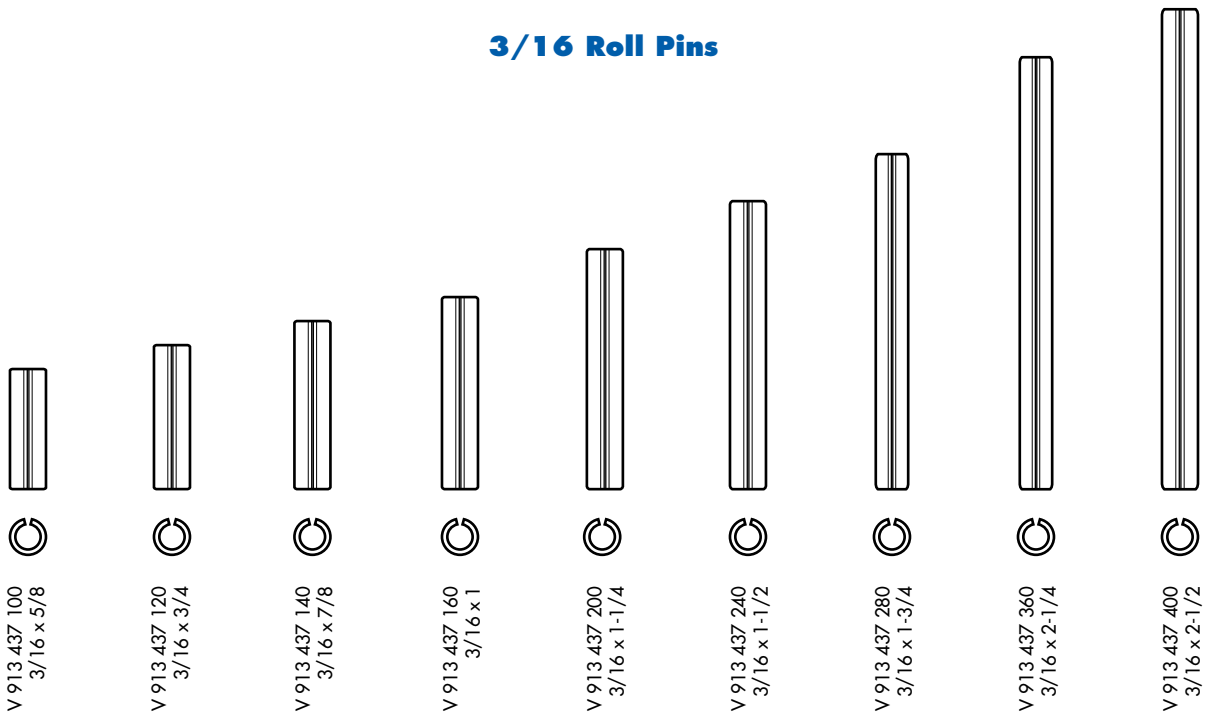
**3/32 Roll Pins**



**1/8 Roll Pins**



**3/16 Roll Pins**





Part #	Page #	Part #	Page #	Part #	Page #	Part #	Page #	Part #	Page #
VFL001	75	V000021683	44,45	V000022082	58	V000022821	21,23	V000024507	26,27
VFL-001FUSE		V000021714	44	V000022092	58	V000022822		V000024508	26,27
VFL002	75	V000021744	44	V000022093	71	V000022823	23	V000024510	26
VFL003	75	V000021786		V000022096	58	V000022824	23	V000024511	26
VFL004		V000021787		V000022099	78	V000022828	23	V000024512	26,27
VLF002L		V000021813	63	V000022099A	78	V000022869	60	V000024513	26,27
VTS001CB		V000021814	63	V000022168	34,64	V000022878	26,27	V000024515	26
VTS001PH		V000021878	46	V000022172	21	V000022924	26,27	V000024516	26
V000020855	29	V000021880	46	V000022173	31,33,58	V000022926	27	V000024534	23
V000021204	26,27,64	V000021880A	46	V000022195	66	V000023104	18,49	V000024576	10,25
V000021210	29	V000021881	46	V000022218	58	V000023105	49	V000024578	10,25
V000021211	29	V000021905	44,45	V000022219	29	V000023114	18,39,49	V000024579	10,25
V000021211B		V000021914	10,25	V000022222	29	V000023139	45	V000024580	10,25
V000021211S	29	V000021992	20,23,29 34	V000022249		V000023160	49	V000024582	10,25
V000021224	10,25	V000022063	59	V000022286	23	V000023161	49	V000024590	10,25
V000021407	58	V000022064	59	V000022287	23	V000023182	19,48	V000024592	10,25
V000021408	57,59	V000022068	71	V000022288	23	V000023216	49	V000024597	10,25
V000021409		V000022069		V000022296		V000023265	74	V000024598	9,21
V000021417	58	V000022077	58	V000022300	26,27	V000023431	26,27	V000024603	57
V000021420	25	V000022079	58	V000022369	31	V000023432	26,27	V000024604	9,57,78
V000021423	15,45,59 60	V000022080	58	V000022385	65	V000023464	26,27	V000024604KIT 9	
V000021427	60	V0000220801	58	V000022580	42	V000023465	26,27	V000024605	57
V000021431	23,64	V00002208010	58	V000022717	31	V000023467	26,27	V000024606	57
V000021442		V000022080111	58	V000022737	42	V000023468	26	V000024607	57
V000021443		V000022080112	58	V000022738	42	V000023520	71	V000024608	57
V000021527		V0000220802	58	V000022770	23	V000023621	23	V000024610	27
V000021528		V0000220804	58	V000022782	17,46	V000023673	21	V000024612	58
V000021575	34,44	V0000220805	58	V000022788	26,27	V000023758	21	V000024614	58
V000021645	42,44,45	V0000220806	58	V000022794	26,27	V000023821	26	V000024615	58,60
V000021652		V0000220809	58	V000022795	26,27	V000023856	65	V000024616	60
				V000022811	49	V000023913	65	V000024618	58



Part #	Page #	Part #	Page #	Part #	Page #	Part #	Page #	Part #	Page #
V000024619		V000024736		V000025590	53	V000026753	10,24,25	V000028036	
V000024622	58	V000024745	58	V000025621		V000026753M	10,24,25	V000028057	57
V000024623	27	V000024795	22,23	V000025622	10,25	V000026753S	10,24,25	V000028078	73
V000024624	27	V0000247956	22,23	V000025638	58	V000026836	74	V000028237	64,65
V000024625	27	V0000247956L		V000025662	10,25,87	V000026852	65	V000028238	65
V000024626	27	V0000247956LK		V000025669	66	V000026855	65	V000028239	65
V000024628	58	V000024796	22,23	V000025673	65	V000026860	65	V000028240	65
V000024641	27	V000024801	23	V00002576		V000026865	31,41,62	V000028241	66
V000024645	57	V000024806		V000025803	26,27	V000026878	65	V000028316	65
V000024648	57	V000024807	23	V000025804	26	V000026890	26	V000028334	26
V000024650	57	V000024808	23	V000025863	73	V000027014		V000028362	64
V000024651	57	V000024811	57	V000025865	74	V000027099		V000028409	73
V000024657	42,44,45 64	V0000248112	57	V000025879	73	V000027100		V000028410	73
V000024659	57	V000024812	57	V000025906	72	V000027264	60	V000028441	73
V000024659A		V000024890		V000025907	73	V000027368		V000028442	73
V000024659AK		V000024892	31	V000026027	45,74	V000027372		V000028495	
V000024661	57	V000024893	31	V000026031	33,59,60 64	V000027390	21,31	V000028519U	22,23
V0000246615	57	V000025004	14,47,49	V000026032	20,29,64	V000027403	65	V000028737	57
V000024663	57,63	V000025005	14,47,49	V000026037	74	V000027641	26,27	V000028754	73
V0000246634	57	V000025068	73	V000026042	44,45,73	V000027642	26,27	V000028771	57
V000024666	63	V000025078	73	V000026043	23,34,73	V000027645	26	V000028772	57
V000024668	27,63	V000025079	73	V000026081	31	V000027646	26	V000028773	57
V000024673	64	V0000251241	74	V000026247	73	V000027655	53,72	V000028864	78
V000024678	58	V000025144	73	V000026251	33,34	V000027660	73	V000028865	78
V000024679	31,33,58 62	V000025183		V000026401	44	V000027707	66	V000029015	26,27
V000024683		V000025207		V000026419	44,45	V000027708	66	V000029015KIT	
V000024689		V000025208		V000026445	23	V000027710	78	V000029015W	
V000024716	57	V000025292	74	V000026446	34,60,63	V000027870	74	V000029068	20,29
V000024719	74	V000025549	39	V000026461	31	V000027873	45,74	V000029073	11,31
V000024720	57	V000025556		V000026464	26,27	V000027996	57	V000029201	29
		V000025557				V000027998	57	V000029202	29,64



Part #	Page #	Part #	Page #	Part #	Page #	Part #	Page #	Part #	Page #
V000029203	29	V000029671BB	8	V030002792	66	V030005661	65	V030008361	48
V000029317	26	V000029671BD	8	V030002793	66	V030005662		V030008370	67
V000029433	71	V000029671BLR	8	V030003055	23	V030005670	65	V030008378	67
V000029508	64	V000029671BS	8	V030003227	64	V030005721	65	V030008542	67
V000029600	78	V000029671BSR	8	V030003248	64	V030005722	65	V030008780	57,66
V000029601	58,64	V000029671S	8	V030003257	67	V030005723	65	V030008792	78
V000029603	59	V000029672		V030003433	67	V030006017	78	V057001003	71
V000029605	59	V000029695	58	V030003434	67	V030006026	67	V057001228	73
V000029606	59	V000029696	60	V030003449	64	V030006456	64	V057001229	73
V000029608	59	V000029697	60	V030003451	64	V030006457	64	V057001238	70
V000029609	59,64	V000029898	25	V030003542	76	V030006495	66	V070001184	
V000029611	58,60	V000029899	25	V030003896	67	V0300065261	74	V070001185	
V000029613	57	V000029924	25	V030003903	64	V030006546	67	V070001195	
V000029614	34,58	V000029925	25	V030003912	78	V030006548	67	V070001357	
V000029624	23	V000029926	25	V030003943	53,77	V030006622	64	V070001389	23
V000029626	10,25	V000029959	58	V030004031	77	V030006631	64	V070001396	23
V000029627		V030001119		V030004517	64	V030006662		V070001411	
V000029629	63	V030001121	64	V030004702	73	V030006663	64	V070001412	
V000029640	27	V030001122	67	V030004703	73	V030006846	66	V070001415	20,29
V000029656	25	V030001148	67	V030005093	67	V030007133	65	V070001432	
V000029657	59	V030001170	67	V030005126	66	V030007633	65	V070001450	
V000029659	59	V030001331	67	V030005145		V030007633C	65	V070001451	26
V000029660	57	V030001369	67	V030005146		V030007633R	65	V070001557	14,47
V000029661	57	V030001488	67	V030005197	78	V030007850	64	V070001558	47
V000029661		V030001690	64	V030005261	67	V030008089	66	V070001562	
V000029671	58	V030001694	64	V030005262	67	V030008164	67	V070001583	42
V000029671A	8,58	V030002114	67	V030005263	67	V030008166	64	V070001584	
V000029671A2		V030002155	66	V030005264	67	V030008301	67	V070001585	47
V000029671A3		V030002171	67	V030005284	67	V030008309	66	V070001587	47
V000029671AE		V030002540	67	V030005648	66	V030008310	66	V070001591	47
V000029671AS		V030002748	76	V030005660	65	V030008352	67	V070001598	47



Part #	Page #	Part #	Page #	Part #	Page #	Part #	Page #	Part #	Page #
V070001601	14,47	V0700019078		V070002252	23	V070002623	38,39	V070002684	
V070001602	47	V070001910	47	V070002260	23	V070002624	39	V070002685	40
V070001605	47	V070001917	46	V070002500		V070002628	40	V070002686	
V070001606	14,47	V070001919	47	V070002538	41	V070002629	40	V070002688	39
V070001607	47	V070001931	46	V070002570	40	V070002630	12,13,40	V070002689	39
V070001653		V070001932	46	V070002573		V070002632	40	V070002691	47
V070001664	45,47	V070001995	57	V070002577	42	V070002633	40	V070002695	12.13
V070001668	46	V070001995A		V070002578	14,15,42	V070002642	40	V070002698	39
V070001698		V070001997	47	V070002579	15,42	V070002644	40	V070002701	
V070001699	45	V070002004		V070002581	42	V070002645	12.13,40	V070002702	42
V070001700	47	V070002005	29,78	V070002582		V070002646	40	V070002708	41
V070001707	44,47	V070002007	21,26,27	V070002583	42	V070002647	40	V070002715	42
V070001751	47	V070002010		V070002584	42	V070002649	40	V070002719	39
V070001774	45	V070002012		V070002585	42	V070002650	40	V070002723	39
V070001777	45	V070002013		V070002590	15,42	V070002651	12,13	V070002725	15 NA
V070001804	42	V070002027		V070002592	42	V070002651		V070002725	
V070001807	15,42	V070002034	10,25	V070002594	42	V070002652	40,41,42 46	V070002726	42
V070001817		V070002050	23	V070002595	14 NA			V070002727	14,15,42
V070001822		V070002060	23	V070002596		V070002653	12,13,40 41,42,45	V070002728	14,42
V070001840	46	V070002072		V070002600	38,39	V070002654	40	V070002732	42
V070001849	46	V070002074		V070002602		V070002655		V070002733	42
V070001852		V070002084		V070002603	39	V070002661		V070002734	42
V070001853	46	V070002097	25	V070002608	39	V070002663		V070002745	15,42
V070001857	33,46	V070002157		V070002609	39	V070002664	39	V070002750	12,13,40
V070001857L		V070002169		V070002612	39	V070002665	39	V070002751	42
V070001866	46	V070002175	57	V070002615	39	V070002667		V070002752	40
V070001871	42	V070002200		V070002616	39	V070002671	41	V070002758	41
V070001877	46	V070002201		V070002617	39	V070002678	41	V070002766	41
V070001893	46	V070002212		V070002618	39	V070002680	42	V070002767	40,41
V070001894	46	V070002214		V070002619	41	V070002681	42	V070002768	41
V070001898	46	V070002216		V070002620	39	V070002683	39	V070002769	41



Part #	Page #	Part #	Page #	Part #	Page #	Part #	Page #	Part #	Page #
V070002770	41	V070003132	49	V070004738		V070006019	33	V070006075	31
V070002771		V070003158	49	V070004813	56,57	V070006021	33	V070006076	31
V070002772		V070003159	49	V070005094	73	V070006022	33	V070006077	31
V070002773	41	V070003162	49	V070005451		V070006029	33	V070006082	31
V070002774	41	V070003173	49	V070005465		V070006030	20,29	V070006084	31
V070002776	46	V070003180	48	V070005466		V070006034	31	V070006087	31
V070002777	46	V070003184	49	V070005472		V070006035	33	V070006091	31
V070002778	46	V070003189	49	V070005515	73	V070006036	33	V070006097	
V070002780	46	V070003190	49	V070005521		V070006037	33	V070006098	20,29
V070002781	15,42	V070003191	49	V070005529	74	V070006042	33	V070006099	20,29
V070002784	39,63	V070003195	49	V070005530	74	V070006043	20,29	V070006101	31
V070002784S	39	V070003221	18,21	V070005531		V070006044	20,29	V070006102	31
V070002787	39	V070003222	49	V070005539		V070006045	20,29	V070006103	33
V070002788	39	V070003223	49	V070005542	73	V070006046	8,29,45	V070006104	33
V070002792	40	V070003231	49	V070005570		V070006047	20,29	V070006105	33
V070002798	39	V070003232	18	V070005602		V070006048	17	V070006106	33
V070002809	8,39	V070003233	18	V070005604	73	V070006049	31	V070006107	33
V070002809A	39	V070003234	49	V070005610	23	V070006051	31	V070006108	33,34
V070002809AS	39	V070003235	49	V070005614		V070006055	33	V070006109	33
V070002809L	8,39	V070003236	48	V070005615		V070006060	31	V070006111	31
V070002813	40	V070003238	49	V070005616		V070006061	31	V070006116	33,45
V070002814	41	V070003242	49	V070005666	74	V070006064	31	V070006117	33
V070002815		V070003243	18	V070005883	73	V070006065	31	V070006118	33
V070002816	15,42	V070003245	49	V070006002		V070006066	31	V070006120	33
V070002818	39	V070004630	58	V070006004	33	V070006067	31	V070006121	18,31
V070002824	46	V070004642		V070006009	33	V070006068	31	V070006124	31
V070003103	49	V070004654		V070006011	33	V070006069	31	V070006125	31
V070003106	18,49	V070004669	63	V070006013	33	V070006071	31	V070006126	31
V070003115	49	V070004670	63	V070006014	33	V070006072		V070006128	31
V070003116	49	V070004690		V070006015	33	V070006073	31	V070006130	31
V070003117	18	V070004713		V070006016	33	V070006074	31	V070006136	31





Part #	Page #	Part #	Page #	Part #	Page #	Part #	Page #	Part #	Page #
V070006137	33	V070006276	45	V070006358	14,34	V070006417	47	V070006592	14
V070006139	33	V070006277	45	V070006359	34	V070006420	44	V070006644	
V070006140	33	V070006278	45	V070006360		V070006425		V070006659	33
V070006142	31,33,34 45,62	V070006279	45	V070006361	34	V070006426		V070006661	33
V070006143	29,31	V070006280	45	V070006363	34	V070006427	47	V070006663	31
V070006144	31	V070006282	45	V070006364	34	V070006429	35	V070006666	31
V070006149	31	V070006283	45	V070006365	34	V070006432		V070006667	31
V070006211	51,55	V070006284		V070006366	34	V070006433		V070006668	31
V070006211KIT		V070006285	45	V070006369	34	V070006434		V070006668OS	31
V070006212	51,55	V070006286	45	V070006370	34	V070006438		V070006669	41
V070006212KIT		V070006287	45	V070006371	34	V070006439		V070006672	33
V070006213	50	V070006289		V070006372	34	V070006440		V070006673	40
V070006216	50	V070006293	45	V070006373	34	V070006441		V070006674	40
V070006219	53	V070006294	45	V070006376	34	V070006442		V070006676	31
V070006230		V070006295	45	V070006377	34	V070006445	47	V070006676S	
V070006231		V070006296	45,68	V070006380	34	V070006447	36,37	V070006679	31
V070006250	37	V070006297	45	V070006381	34	V070006449	45	V070006683	
V070006251	36	V070006299	45	V070006384	34	V070006450	45	V070006685	31
V070006253	37	V070006302	45	V070006386	34	V070006452	44,45,73	V070006686	
V070006254	36,37	V070006304	45	V070006388	34	V070006457	47	V070006688	33
V070006255	36,37	V070006306	45	V070006389	34	V070006473	73	V070006691	31
V070006256	36,37	V070006307	45	V070006390	34	V070006478		V070006693	
V070006257	36,37	V070006310		V070006399		V070006481	14,47	V070006694	
V070006258	36,37	V070006320	57	V070006402	35	V070006484	45	V070006695	
V070006259	36,37	V070006325	57	V070006403	35	V070006490		V070006699	57
V070006261	37	V070006350	35	V070006405		V070006492	47	V070006718	46
V070006265	36,37	V070006351	34	V070006407	47	V070006493	44,47	V070006724	45
V070006266	37	V070006353	34	V070006408	35	V070006495		V070006726	45,74
V070006268	36,37	V070006354	34	V070006411		V070006496	47	V070006727	45,74
V070006272	34,73	V070006354HP		V070006413		V070006519	40,76,77	V070006728	60
		V070006356	34	V070006414		V070006587		V070006729	46



Part #	Page #	Part #	Page #	Part #	Page #	Part #	Page #	Part #	Page #
V070006746	57	V070007291	57	V070007752	17	V070011005	27	V070011097	60
V070006747	57	V070007295	14	V070007755	46	V070011006	27	V070011098	60
V070006748	57	V070007296	14	V070007769	10	V070011009	62	V070011099	60
V070006749	57	V070007302		V070007843		V070011013	62	V070011100	
V070006757	33	V070007303	14,17	V070007844		V070011018	63	V070011105	60
V070006757C	33	V070007310	46	V070007846	25	V070011027	62	V070011106	
V070006757R	33	V070007311	46	V070007847	25	V070011028	62	V070011107	60
V070006761	23	V070007357	29	V070008126		V070011029	62	V070011108	60
V070006765	44	V070007359		V070008133	45	V070011030	62	V070011109	59
V070007115		V070007360	23	V070008154	40	V070011031	62	V070011110	60
V070007119	31	V070007370		V070008182		V070011032	62	V070011110A	60,61
V070007137		V070007372		V070008187		V070011033	62	V070011121	60
V070007192	12,13,40 57	V070007373		V070008188		V070011034	59	V070011122	60
V070007193	12,13,40	V070007374		V070008191	63	V070011035	27	V070011123	60
V070007194	40	V070007375		V070008207		V070011036	62	V070011124	60
V070007195	12,13,40	V070007376	31	V070008210	57	V070011037		V070011131	59
V070007196	40	V070007510		V070008211	57	V070011039	62	V070011131M	
V070007197	40	V070007586	9,11,31	V070008212	57	V070011040	57,60,62	V070011132	59
V070007197O	40	V070007586A	9	V070008215	57	V070011041	57	V070011133	59
V070007199		V070007586B		V070008217	57	V070011042	57	V070011146	60
V070007200	40	V070007586P	9	V070008218	57	V070011048	63	V070011147	60,78
V070007250	46	V070007616	42	V070008321	46	V070011049	63	V070011148	78
V070007261	40	V070007617	40	V070008322	46	V070011052	56,57	V070011151	60
V070007276	18,49	V070007618	40	V070008325	46	V070011063	63	V070011165	
V070007278	18,49	V070007620	40	V070008449	20,29	V070011064	62,78	V070011170	33
V070007280	49	V070007622	42	V070009821	74	V070011066	60	V070011170C	33
V070007281	49	V070007623	41	V070009828		V070011068	60	V070011171	
V070007282	49	V070007651	31	V070009829		V070011077	60	V070011172	33
V070007283	18,49	V070007732		V070010238		V070011080	60	V070011173	33
V070007290		V070007733		V070011002	57	V070011092	60	V070011178	60
		V070007746		V070011004	57	V070011096	60	V070011211	68



Part #	Page #	Part #	Page #	Part #	Page #	Part #	Page #	Part #	Page #
V070011217	62	V070100507	55	V090003766	21	V090005123	20	V090005615	16
V070011218	63	V070100507P	55	V090003795	17	V090005144	20	V090005617	12,13
V070011225	60	V070100508	53	V090003901		V090005251	14,16	V090005629	15
V070011226		V070100508P	53	V090003902		V090005252	14	V090005631	15
V070011250		V070100509	53	V090003903		V090005253	14,17	V090005632	12,13
V070011273	60	V070100509P	53	V090004001	14	V090005254	18	V090005637	16
V070011279	63	V070100510	55	V090004007	17,18	V090005255	18	V090005640	12,13
V070011286	27	V070100510P	55	V090004008		V090005256	20	V090005645	17
V070011288	23	V070100511	53	V090004010	18	V090005257	18	V090005646	17
V070011289	57	V070100512	53	V090004055	20	V090005264	14	V090005647	17
V070011299	60	V070100512K	53	V090004113	12,13	V090005265	14	V090005651	16
V070011319	60	V070100513	55	V090004116	20	V090005270	10	V090005654	17
V070011323		V070100514	55	V090004117	20	V090005271	10	V090005655	15
V070011368		V070100514K	55	V090004118	12,13	V090005272	10	V090005656	16
V070011406	59,60	V090001130	21	V090004119	12,13	V090005273	10	V090005662	17
V070011407	60	V090001170	19	V090004120	21	V090005274	10	V090006102	11
V070011408	58,60	V090001171	19	V090004131		V090005505	16	V090006103	11
V070011411	59	V090002017	11	V090004203	10	V090005509	17	V090006125	18
V070011412	63	V090002018	11	V090004444	21	V090005514	17	V090006126	18
V070011414		V090002019	11	V090004501	21	V090005520	15	V090006127	18
V070011418	60	V090002028	17	V090004502	21	V090005521	15	V090006128	18
V070011440	57,63	V090002034	11	V090004506	21	V090005522	12,13	V090006129	19
V070011440R		V090002065	20	V090004507	21	V090005526	15	V090006130	19
V070011626	60	V090003102	20	V090004517	21	V090005532	15	V090006131	18
V070011641		V090003111	20	V090004519	21	V090005533	15	V090006132	18
V070011642		V090003112	20	V090005015	17,18	V090005536	16	V090006133	18
V070011795	57	V090003116	20	V090005106	20	V090005540	13	V090006134	18
V070011796	57	V090003508	21	V090005108	20	V090005544	12	V090006135	18
V070011797	57	V090003509	21	V090005109		V090005571	13	V090006136	18
V070011819	18	V090003606		V090005109HP		V090005597	17	V090006137	18
V070022072	59	V090003655	14	V090005120	20	V090005613	16	V090006138	18



Part #	Page #	Part #	Page #	Part #	Page #	Part #	Page #	Part #	Page #
V090006139	18	V208111174R	71	V234001163	70	V250001051	68	V610700120MINI	
V090006140	18	V208111180	71	V234001174	70	V250001054	68	V610700120PHP	7
V090006145	18	V208111229	70,71	V234001221	70	V250001057	68	V610700122	60,61
V090007145	20	V208111255	70,71	V234001243	70	V250001060	69	V610704001	
V090007241	20	V209		V234001265	70	V250001226	69	V610704002	45,47
V090007310	21	V210	66	V234001277	70	V250001229	69	V610704004	31
V090007327	20	V211	25,77	V234001352		V250001230	69	V6107040042	
V146004772	71	V213		V234001368	70	V250001231	69	V610704004B	
V146004775	71	V214		V234001371	70	V250001232	69	V610704004CD	
V146005277	57	V218	52	V234001372	70	V250001233	69	V610704004NS	31
V146005399	71	V219	52	V250001001	68	V250001236		V610704004P	
V190001305	9,71	V220	77	V250001002		V250001435	68	V610704004S	
V190001345	71	V2200010356		V250001003	68	V250001537	68	V610704004W	
V190001355	71	V220B		V250001004	68	V250010002	68	V610704005	31
V190001357	71	V220R		V250001005	68	V277	77	V6107040056	31
V190001364	71	V220W		V250001008	69	V280	51	V610704006	31
V190001364S		V221	77	V250001009	68	V300000170	48	V610704010	41,73
V190001490	39,46,71	V222L	22	V250001011	68	V300000171	48	V610704014	25
V190001546	71	V222R	22	V250001012	68	V300000175	19,48	V610704015	45
V190001546R	71	V223	77	V250001012C		V300000182	19,48	V610704020	
V201L	22	V224	40	V250001013	68	V300000182NB	48	V610704026	40
V201R	22	V225L	22	V250001014	68	V40200010	68	V610704028	
V203		V225R	22	V250001015	68	V40200011	68	V610704030	
V203RING		V230	23	V250001021	68	V4020009	68	V610704032	30
V205	32,33	V234001041	70	V250001023	68	V601704030	32	V610704041	
V208	36,37	V234001109	70	V250001027	68	V610309042	72	V610704042	51,55
V208111008	71	V234001112	70	V250001034	68	V610700079	48	V610704042KIT	
V208111025	71	V234001115	70	V250001037	68,78	V610700089	48	V610704043	51,55
V208111131	70,71	V234001126	70	V250001040	68	V610700099	48	V610704043KIT	
V208111170	71	V234001135	70	V250001041	69	V610700120	7	V610704045	50
V208111174	71	V234001147	70	V250001042	69	V610700120KHP	7	V610704047	50



Part #	Page #	Part #	Page #	Part #	Page #	Part #	Page #	Part #	Page #
V610704050		V701416087	64	V722985512	60	V785001001	76	V785501178	55
V610704051		V701436064	65	V724001011	76	V785501011		V785501179	52
V610704052	53	V701512072	67	V724507002	41	V785501014	55	V785501192	72
V610704127	47	V701540083	67	V730027019	12,41	V785501015	55	V785501193	72
V610704133	46	V701710098	33	V730036025	41	V785501023		V785501208	55
V610704133B	46	V701712097		V741550515	70	V785501024		V785501223	52
V610704150	57	V701849124	33	V743000011	74	V785501031	53	V785501228	52
V610704151	57	V702424002	70	V743000014	74	V785501040		V785501287	52
V610704155	41	V702504012	70	V743000015	74	V785501048	52	V785501288	52
V612070012		V702504013	70	V743000017	74	V785501050	52	V785501291	52
V700107146	21	V702504014	70	V743000020	74	V785501066	55	V785501295	52
V701011003	55	V70260002		V743000125	74	V785501067	52	V785501297	55
V701015004	52	V709002010		V744203014	35.44	V785501079	55	V785501298	55
V701020030	70	V709002022		V746001016		V785501094	52	V785501300	52
V701020091	55	V709002024		V746605011		V785501095	55	V785501302	52
V701021008	55	V710501009	17	V746605011		V785501104	55	V785501305	52
V701021010	52	V710501013	14	V749537068	19	V785501106	55	V785501308	55
V701021014	52	V711516020	35	V751001423		V785501108	55	V785501310	55
V701024031	70	V714501001		V754010336	74	V785501117	55	V785501312	52
V701025003	55	V716501009	55	V754020312		V785501122	55	V785501331	55
V701025011	55	V716501013	52	V755020359	74	V785501124	55	V785501336	52
V701077015	52	V716503015	52	V755504048	74	V785501125	55	V785501337	52
V701224030	55	V716503020	52	V759517051		V785501126	55	V785501338	52
V701240032	52	V716503022	55	V760011197	73	V785501131	55	V785501341	52
V701310036	39	V716503023	55	V760019201	73	V785501132	55	V785501342	55
V701316041	42	V718506006		V780503014	76	V785501134	52	V785501343	52
V701320045	59	V718508008		V782501001	76	V785501137	52	V785501372	72
V701329050	35	V719616005	70	V783502002	76	V785501146	55	V785501375	72
V701411086	64	V719624004	70	V784003000	76,77	V785501147	55	V785501377	72
V701412054	67	V722501070	11	V784003000R	23,77	V785501168	72	V785501378	72
V701416058	45	V722971522	60	V784528052	76	V785501177	55	V785501384	72



Part #	Page #	Part #	Page #	Part #	Page #	Part #	Page #	Part #	Page #
V785501386	72	V785501528	74	V787001006	76	V793509036	76	V807249070	
V785501389	72	V785501533	72	V788001057	74	V793509037	76	V807249160	33
V785501392	72	V785501539	72	V788011058	74	V793509049	76	V807250080	
V785501393	72	V785501540	72	V788504004	76	V793510000	76	V807257060	59
V785501394	72	V785501543	52	V789001000	76	V793510041		V807257080	
V785501398	55	V785501544	52	V789502003	76	V793510042		V807265060	57
V785501423	52	V785501551	55	V789502004	76	V793510043		V807265080	57
V785501426	52	V785501552	55	V789505008	76	V793510044		V807265160	
V785501427	52	V785501562	72	V789509000	76	V793511045	76	V807333030	
V785501430	55	V785501564	72	V789511027	76	V793514048	76	V807333040	
V785501431	55	V785501568	72	V789512029	76	V801369161	17	V807339060	
V785501434	55	V785501569	72	V790001001	76	V801566320		V807340040	
V785501435	52	V785501621	55	V791003003	76	V802057100		V807340100	
V785501437	52	V785501653		V791004004	76	V802865996	60	V807340140	
V785501438	52	V785501662	55	V792005005		V806157200		V807340160	
V785501439	55	V785501664	72	V792005010		V806233080		V807349030	
V785501475		V785501665	72	V792009010	76	V806249060	33	V807349060	
V785501476		V785502005	72	V792016018	76	V806249160	42	V807350040	
V785501477		V785502008	52	V792018020	76	V806265160	10,25,57	V807350060	
V785501478		V785502020		V792026028	76	V806265240	39	V807357040	45,59,60
V785501505		V785502055	52	V792501001	76,77	V806357100		V807357060	42
V785501508	72	V785502080	72	V792502002	76,77	V806657080	58	V807357080	
V785501514	55	V785502085	52	V792505005	76,77	V806749160		V807358040	
V785501515	55	V785502190	72	V793002007	76	V806857080		V807358060	21,31
V785501516	55	V785502191	72	V793501000	76	V807227040		V807358080	
V785501517	55	V785502233	50	V793503017	76	V807227050		V807365060	
V785501520	72	V785502234	50	V793503051	76	V807233040		V807439060	
V785501522	72	V786501001	76	V793506000	76	V807233080		V807640060	
V785501525	55	V786502002	76	V793507028	76	V807239040		V807649160	
V785501526	55	V786503003	76	V793507029	76	V807249040		V807650050	12,13
V785501527		V786504004	76	V793507030	76	V807249060	15	V808033122	





Part #	Page #	Part #	Page #	Part #	Page #	Part #	Page #	Part #	Page #
V808149022		V808557140	16,19,48 88	V808849240	86	V808866120		V809850085	
V808227102		V808557160	48,88	V808849280		V808866160	87	V809850105	
V808233042		V808557240	88	V808849320		V808866200	87	V809850125	
V808524040		V808557360	68,88	V808849565	57,86	V808866320	87	V809850165	
V808527060		V808558120		V808850100		V808866400	87	V809850205	
V808533050		V808558140		V808850120		V808866440	87	V809857080	31,80
V808533061		V808558160		V808850140		V808866520		V809857100	68,70,80
V808533120		V808558200		V808850200		V808957160	58,86	V809857125	21,23,26 27,68,80
V808539060	88	V808558320		V808850240		V809149100	12,13	V809857165	26,29,60 68,80
V808539100		V808566160	88	V808850245		V809839080	52		
V808539240		V808640121	40,84	V808850320		V809840080		V809857205	10,25,58 70,80
V808539260		V808640141	40,84	V808850360		V809849060		V809857245	19,48,80,
V808539280		V808640161		V808850400		V809849085	35,79	V809857280	80
V808539320	88	V808827080		V808850420		V809849100	31,79	V809857295	10
V808539320		V808827101		V808857080		V809849125	26,29,31 33,35,79	V809857325	20,80
V808540080		V808833080		V808857120	27,86	V809849145	58,60,69 79	V809857365	18,20
V808540081		V808833121		V808857160	86			V809857405	20,29,44 80
V808540100		V808839080		V808857200		V809849162	33		
V808540160		V808839160		V808857240		V809849165	10,16,25 35,42,69 79	V809857445	80
V808549080	12,13,35 88	V808840040		V808857280	63,86			V809857565	80
V808549100	88	V808840080		V808858100		V809849205	25,31,62 79	V809857660	
V808549120	16,88	V808840100		V808858120	86	V809849245	37,79	V809857760	80
V808549160	27,70,88	V808840120		V808858160		V809849285	35,37,79	V809857880	60,80
V808549200	16,33,88	V808840200		V808858200		V809849325	10,25,79	V809858085	29,80
V808549240	37,88	V808840260		V808858240	86	V809849365	57,79	V809858125	29,80
V808549320	37,88	V808849080		V808858320	86	V809849405	79	V809858165	80
V808550100	88	V808849100	86	V808858440		V809849445		V809858200	
V808550360	88	V808849120	86	V808865140	62,87	V809849485	35,79	V809858285	
V808557100		V808849160	25,86	V808865240	87	V809849604	33	V809858365	
V808557120	16,88	V808849200	86	V808865320	23,87	V809849605	35,79	V809865125	15,42,81
				V808865400	23,87	V809849885	33,79		



Part #	Page #	Part #	Page #	Part #	Page #	Part #	Page #	Part #	Page #
V809865165	21,26,35 57,60,63 81	V809869520	17,82	V810233140		V810250160		V810266200	
		V809870205	82	V810233160		V810250200	84	V810266240	
V809865205	27,42,45 60,81	V809870245	82	V810239060	84	V810250240		V810266280	
		V809870285	46,82	V810239080	84	V810250280		V810266320	
V809865245	14,17,21 39,58,68 81	V809870325	46,82	V810239120	42,84	V810250360		V810266400	
		V809870365		V810239140		V810250480	84	V810273320	
V809865285	18,81	V809870405		V810239160	33,84	V810250520		V810274400	
V809865325	15,21,81	V809870445		V810239200		V810257120		V810340201	
V809865365	39,81	V809873100	70,83	V810239240	31,84	V810257160	85	V810365401	63
V809865405	58,60,81	V809873280		V810239320	84	V810257200	85	V810366401	
V809865445	18,57,81	V809873325		V810240060	69	V810257240		V810457160	
V809865485	81	V809873405	45,46,83	V810240080	84	V810257445		V811927102	
V809865525	81	V809873442		V810240100	84	V810257520		V811927160	
V809865565	81	V809873485	83	V810240120		V810258100	27,85	V811933062	
V809865605		V809873525	83	V810240160		V810258120		V811933082	
V809865645	26,27,81	V809874365	83	V810240200		V810258140		V811939082	
V809865725	20,29,81	V809874525		V810240240		V810258160	39,85	V811939122	
V809865805		V809881640		V810240280		V810258200	85	V811940062	
V809865960		V809965125	62	V810240400		V810258240	85	V812021061	
V809865992	63,81	V809973560		V810240500		V810258280		V812027062	
V809866285		V810221080		V810249060	84	V810258320		V812027122	
V809866325		V810221100		V810249080	84	V810258360		V812027162	
V809866645		V810221120		V810249160	84	V810265160	85	V812039142	
V809869245	14,18,47 82	V810224060		V810249200	39,84	V810265200		V812039162	
V809869285	14,16,47 82	V810227060		V810249240		V810265240	85	V812039362	
V809869325	14,17,18 82	V810227080		V810249320		V810265280	47,85	V812040122	
		V810233040		V810249360		V810265400	85	V812049162	
V809869365	14,17,18 49,82	V810233060		V810249400		V810265401	85	V812050122	
V809869405	14,18,49 82	V810233080	42,84	V810250080		V810265560		V812140240	
		V810233100		V810250100		V810266120		V812227062	
V809869445	82	V810233120	84	V810250120	84	V810266160		V812621062	



Part #	Page #	Part #	Page #	Part #	Page #	Part #	Page #	Part #	Page #
V812621082		V812833062		V813321089		V817927062		V818621042	
V812627062		V812833082		V813327042		V817927142		V818627042	
V812627082		V812833102		V813327062		V817933062		V818633042	
V812627102		V812833121		V813327082		V817940062		V818833162	
V812627122		V812833162		V813333062		V818033042		V820532062	
V812627162		V812833762		V813333102		V818033062		V820538122	
V812627202		V812840062		V813340042		V818221042		V821049082	
V812633062		V812840082		V813340060		V818221062		V821142202	
V812633082		V812840162		V813340122		V818221082		V821147082	
V812633102		V812849042		V813349163		V818221102		V821226042	
V812633122		V812849102		V813433032		V818221122		V821232062	
V812633202		V812849322		V813539163		V818221162		V821247162	
V812633242		V812939102		V813540082	33,35	V818224042		V821438082	
V812633282		V813213040		V813549102		V818227042		V821438122	
V812639062		V813221082		V813922162		V818227062		V821438162	
V812639082		V813221162		V813927042		V818227082		V822326062	
V812639102		V813221202		V813933162	45	V818227122		V822332282	
V812639122		V813227042		V813940202		V818227162	35	V822338122	
V812639602		V813227042		V813949082		V818227202	23	V822420053	
V812640082		V813227062		V813949109		V818227402	44	V822426087	
V812649202		V813227082		V814327122		V818233062		V822432082	
V812817122		V813227122		V814333122	45	V818233082	35,44	V822626042	
V812821102		V813227162		V814339122		V818233100		V822638322	
V812827052		V813240063		V814433082		V818233122		V822732062	
V812827062		V813240082		V814649160		V818233162		V822732080	
V812827092		V813240122		V814740068		V818239062		V822732080	
V812827102		V813240244		V814749162		V818239082		V822826083	
V812827282		V813249122		V814852562		V818239122		V822826083	
V812827322		V813313082		V817821040		V818240122		V822832062	
V812828162		V813321042		V817921060		V818240244		V822832062	
V812833042		V813321062		V817921080		V818321062		V822926122	



Part #	Page #	Part #	Page #	Part #	Page #	Part #	Page #	Part #	Page #
V822932100		V826032060		V830049002		V835566002	35,45,60 63,93	V839549002	57,62
V822932122		V826039102		V830057002	19,48	V835570002	14,47,49 93	V839565002	60
V822942100		V826039122		V830139002		V835573002	93	V839665002	17,18,21 23,26,27 39,42,47 49,57,58
V823126062		V826049122		V830358002	29	V835574002	49,93	V839750002	
V823132082		V826049142		V830358002		V835581002		V839766002	
V823138082		V826049202		V830857002		V835582002	49,93	V840027002	
V823138122		V826139122		V831558002	91	V835587000		V840028002	
V823220032		V826149062		V831565002	21,35,91	V835587002		V840033002	
V823226042		V826149082		V831566002	20,29,31 57,91	V835650002	42,93	V840039002	31,33,92
V823226082		V827327042		V831573002	60,91	V835670002	14,47,49 93	V840040002	33,92
V823232042		V827327062		V832021029		V835674002	49,93	V840049002	35,92
V823232062		V827327082		V832557002		V837057002		V840057002	57,92
V823232082		V827327102		V834513002		V838139122		V840058002	92
V823238062		V827333240		V834517002		V838369002	17	V840065002	27,45,60 92
V823332082		V827620062		V834524000		V838565002	92	V840066002	15,42,92
V823446102		V827620102		V834527002	91	V838669002	52	V840070002	46,92
V823632042		V828127042		V834533002		V838727002	92	V840182002	46
V823732062		V828127062		V834549002	33,91	V838740002	92	V840381002	20
V823926123		V828127082		V834554002	91	V838849007	92	V840500002	
V824126103		V828133042		V834557002	20,29	V838866002	60,62,63 92	V840600002	42
V824232200		V828133062		V834621000		V838939002	92	V842140002	15
V824526062		V828133082		V834821000	91	V838940002		V843127002	35,44
V824532082		V828139122		V834821002		V839057002	18,39,68	V843133002	35,44
V824538162		V828140042		V835539002	91	V839100002		V843139002	29
V824732042		V828140082		V835540002	91	V839249007		V843140002	42
V824820082		V828527042		V835549002	16,17,42 45,47,93	V839521002		V843140042	
V824832082		V828527082		V835550002	42,44,93	V839527002	23	V843149002	
V824848082		V828627052		V835557002	93	V839533002	42,92	V843157002	
V825533052		V829139082		V835558002	93	V839539002	42,46	V843158002	
V825539122		V829432100		V835565002	21,39,93				
V825727052		V829438160							



Part #	Page #	Part #	Page #	Part #	Page #	Part #	Page #	Part #	Page #
V843165006		V900106081	33	V907200200	54	V913415060	95	V913448100	
V844049002	10,12,13 16,25,26 29,31,33 35,37,39 40,41,42 60,93	V900110081	59	V907200500		V913415080	95	V913448120	45,60
		V900110121	57	V907200600	52	V913415090	31,95	V913448200	
		V900110141	47,59	V907200700	54	V913415100	45,95	V913448280	
V844050002	31,93	V900110161	59	V907200800	54	V913415120	46,95	V913448320	
		V900110403		V907200900		V913415140	95	V913448360	
V844057002	10,16,18 19,20,21 23,25,26 29,42,48 60,63,93	V900112161	57	V907201000	21	V913415160	95	V913448400	
		V900112203	26,27,57	V907201100	54	V913423060	95	V913456140	
V844058002	26,27,93	V900114101	17,35	V907201200		V913423080	95	V913456320	
V844062002	35	V900204121	45	V907201300		V913423100	95	V913464280	33
V844065002	14,15,18 20,63,93	V900205053	39,41,46	V907201400		V913423120	11,15,31 46,95	V913464360	47
		V900205061	64	V907201700	52			V913464400	45
V844066002	93	V900205081	60	V907201800	52	V913423140	95	V913472121	
V844069002	14,16,18 47,49,93	V900206081	57	V907201900		V913423160	42,95	V913472640	
						V913423200		V913940162	
V844070002	47,60,93	V900206091	35	V907202100	70	V913423240		V914037206	31
V844073002	18,31,45 46,47,68 93	V900207061	70	V907202600	21	V913423280		V915005300	94
		V900208091	60	V907248200		V913431120		V916931256	
V844074002	26,29,93	V900208161	57	V908048480	11	V913431160	23	V917933062	
V844081002	93	V900210101	59	V909005900		V913431220		V919000300	
V844087002	17	V900210161	45,63	V910700120MINI	7	V913431320		V919000600	31,46,62 94
V845100000	57	V900212161	57,62	V911023202		V913437100	40,95	V919000700	39,94
V853500001		V900212201	58,60	V911949242		V913437120	31,95	V919000900	
V856070002	57	V907000100	33	V912137120		V913437140	31,33,95	V919001000	70
V879849487	17	V907000200	45,62	V912137200	46	V913437160	11,95	V919001200	
V880139120	46	V907000300	21,54	V913407040		V913437180		V919003100	
V880239140	44,45	V907000500	54	V913407070		V913437200	95	V919004200	31,94
V900104061	67	V907000600	35	V913407080		V913437240	23,95	V919005000	33,94
V900104071	46	V907000700		V913411060	95	V913437280	29,95	V919005200	57,60,62 94
V900105061	64	V907000800		V913411100	10,25,95	V913437360	95	V919005300	31
V900105161	64	V907000900	45,47,60	V913411120	95	V913437400	95		
V900106041	64	V907200100	54	V913411160	95				



Part #	Page #	Part #	Page #	Part #	Page #	Part #	Page #	Part #	Page #
V919005400	26,94	V919010300		V945045084		V948761112	10,19,20 25,29,31	V951156002	20,68,90
V919005500	60,94	V919010400		V945056122			39,48,57 58,60,70	V951164002	15,21,23 26,57,63 90
V919005600	18,31,57 58,59,94	V919010500		V945867242	17		89		
V919005700		V919010600		V946076162		V948767132	15,18,20 21,26,29	V951172002	90
V919005800	26,27,57 62,94	V919010700	49,94	V946400002			60,62,63 89	V951181002	20,90
V919006000		V919010800		V946688322	89	V948868162	17,89	V953751082	
V919006200		V919013100		V948515042		V948964142	62,89	V953838142	
V919006500		V919013108		V948519002		V948975172	23,31,89	V957000002	90
V919006600		V919013300		V948523052		V948979942		V957100002	33,35,90,
V919006800	33	V919013308		V948631052		V948983212	15,17,57 89	V963000002	
V919007000		V937000000	26,27	V948631062	35,89	V949090282	89	V963100002	40,90
V919007600		V938523030		V948637072		V949100002	14,17,18 49,60,89	V963200002	13,40,41 42,44,45 90
V919007800		V938537060		V948648092	70	V951020000	90	V963300002	46,90
V919007900		V938537075		V948722111	19,48	V951026002	90	V963400002	17,40,42 90
V919009000		V938637100	19	V948745082	31,89	V951032000	90	V963600002	21,23,26 90
V919010000		V941072000		V948753082		V951068002	90		
V919010100		V941072200	26	V948753101	69	V951112002	90		
V919010200	94	V941137102		V948753102	10,25,31 35,89	V951138000	52,90		
V919010200		V943637072	89			V951148002	69,90		
V919010200		V944553113							

VANTAGE BOWLING CORPORATION LIMITED WARRANTY

EXCEPT AS INDICATED BELOW, VANTAGE BOWLING CORPORATION MAKES NO WARRANTIES (INCLUDING ANY WARRANTIES AS TO MERCHANTABILITY OR FITNESS FOR A PARTICULAR PURPOSE) EITHER EXPRESS OR IMPLIED WITH RESPECT TO THE PRODUCTS SOLD BY VANTAGE BOWLING CORPORATION PURSUANT TO THIS AGREEMENT (the "Products"). as indicated below, for a period of one year after the Purchase of the Products by Vantage Bowling Corporation (the "Limited Warranty Period"), Vantage Bowling Corporation will replace for the original purchaser the parts of the Products originally manufactured by Vantage Bowling Corporation that fail due to defects in material or workmanship pursuant to the Warranty Process described below. Vantage Bowling Corporation sole liability under this warranty is limited to the replacement of defective parts as described above and its total cost of replacement will be limited to the purchase price paid for the Products. This warranty covers parts up to the amount of the purchase price paid for the Products. Any replacement part will carry a warranty for the balance of the Limited Warranty Period.

WARRANTY PROCESS: If the original purchaser makes a warranty claim, with proof of purchase, Vantage Bowling Corporation will sell the replacement part to the purchaser at its replacement parts price. Vantage Bowling Corporation will then write a return authorization for the defective part and have it returned to Vantage Bowling Corporation's Denver, Colorado facility for inspection. The original purchaser will pay the freight for the return. If Vantage Bowling Corporation determines upon inspection that the part is, indeed, defective and is covered by this warranty, Vantage Bowling Corporation will credit the original purchaser for the part that it replaced and reimburse the purchaser for the freight. Returned parts will be inspected in the order received.

This warranty does not cover the effects of normal wear, tear or deterioration of the Products or its parts; or the effects of abuse, misuse, erroneous installation or modification on

the part of the original purchaser or others; or damages incident to shipping and transportation; or operation or maintenance not in accordance with i) Vantage Bowling Corporation's operating instructions or other conditions or service specified, and ii) generally accepted practice. Further, Vantage Bowling Corporation shall have no responsibility for equipment or parts furnished by, or repairs or work done by, someone other than an authorized Vantage Bowling Corporation agent.

THIS WARRANTY IS THE ONLY WARRANTY ON THE PRODUCTS, AND ALL OTHER WARRANTIES, WHETHER ORAL, WRITTEN, EXPRESS, OR IMPLIED, INCLUDING, BUT NOT LIMITED TO, THE IMPLIED WARRANTY OF MERCHANTABILITY OR FITNESS FOR A PARTICULAR PURPOSE, ARE EXCLUDED. PURCHASER'S REMEDIES ARE SOLELY AND EXCLUSIVELY AS STATED ABOVE. VANTAGE BOWLING CORPORATION SHALL IN NO EVENT BE LIABLE FOR ANY DAMAGES CAUSE BY THE FAILURE OF THE PRODUCTS, INCLUDING ANY LOST PROFITS OR INCIDENTAL, CONSEQUENTIAL, INDIRECT, OR SPECIAL DAMAGES. IN NO EVENT, WHETHER AS A RESULT OF A BREACH OF CONTRACT, WARRANTY, TORT (INCLUDING NEGLIGENCE) OR OTHERWISE, SHALL VANTAGE BOWLING CORPORATION'S LIABILITY EXCEED THE PURCHASE PRICE OF THE PRODUCTS WHICH HAS GIVEN RISE TO THE CLAIM OR LIABILITY. ANY LIABILITY CONNECTED WITH THE USE OF THE PRODUCTS SHALL TERMINATE UPON THE EXPIRATION OF THE LIMITED WARRANTY PERIOD SPECIFIED ABOVE.

THIS LIMITATION OF LIABILITY APPLIES WHETHER DAMAGES ARE SOUGHT OR A CLAIM MADE UNDER THIS LIMITED WARRANTY OR AS A TORT CLAIM (INCLUDING NEGLIGENCE OR STRICT PRODUCT LIABILITY).

NO EMPLOYEE OR REPRESENTATIVE OF VANTAGE BOWLING CORPORATION IS AUTHORIZED TO WAIVE OR CHANGE THIS LIMITED WARRANTY IN ANY WAY OR GRANT ANY OTHER WARRANTY.



# Rental Shoes & House Balls

9

Black size indicators for men.



**Men's Model #EB100**

**AVAILABLE SIZES**

6.0 6.5 7.0 7.5 8.0 8.5 9.0 9.5 10.0  
10.5 11.0 11.5 12.0 13.0 14.0 15.0

7

Red size indicators for women.



**Women's Model #EB200**

**AVAILABLE SIZES**

5.0 5.5 6.0 6.5 7.0 7.5 8.0  
8.5 9.0 9.5 10.0 11.0 12.0

2

Orange size indicators for children.



**Children's Model #EB300**

**AVAILABLE SIZES**

9.0 10.0 11.0 12.0 13.0  
1.0 2.0 3.0 4.0

**Unbelievable Pricing Based on the Number of Shoes Ordered!**  
**Pricing Tiers: 1-47 Pair; 48-143 Pair; 144+ Pair**



**Extremely Durable**

Rugged urethane construction stands up to the toughest bowlers, keeping these house balls looking good longer.

**Sizes For All**

Balls in weights from 6 to 16 pounds for everyone who wants to bowl.

**Quicker Return on Investment**

Unsurpassed durability helps keep your costs of doing business down.

**2-Year Warranty**

We build them right the first time or make it right with you.

**Glow Power**

Supercharged glow balls set the party mood and keep it going.

**ABC Approved**

Unlike other brands, new bowlers can use ours for league play until they can afford their own ball.

**Made in the USA**

American made to assure you a reliable source of supply.

**Customized Engraving**

There's no mistaking who owns these house balls and where they belong.



**1-800-626-8350**

# Your Total Center Solution!

**ORDER YOUR VANTECH™  
CATALOG TODAY  
CALL TOLL FREE:  
1-800-255-7401**



**VANTAGE BOWLING CORPORATION  
DENVER, COLORADO, USA**

*Vantage Bowling Corporation is a subsidiary of*

**EBONITE** *International*  
*Building the best brands in bowling.*

870 PARFET STREET  
DENVER, CO 80215  
PHONE: (303) 232-7322  
TOLL FREE: 1-800-255-7401  
FAX: (303) 232-8241

[www.vantagebowling.com](http://www.vantagebowling.com)